

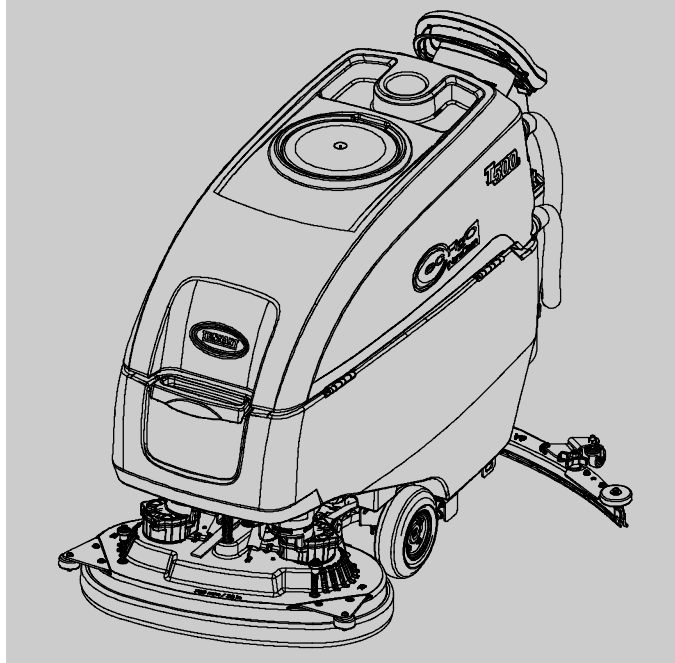
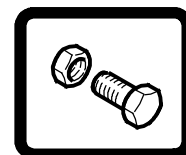


T500e

WALK-BEHIND FLOOR SCRUBBER

Machine Serial Number Range
(S/N 30000000- 40000000)

Parts Manual



Tennant True® Parts
IRIS® a Tennant Technology
Insta-Fit™ Adapter
Smart-Fill™ Automatic Battery Watering



For the latest Parts manuals and other
language Operator manuals, visit:

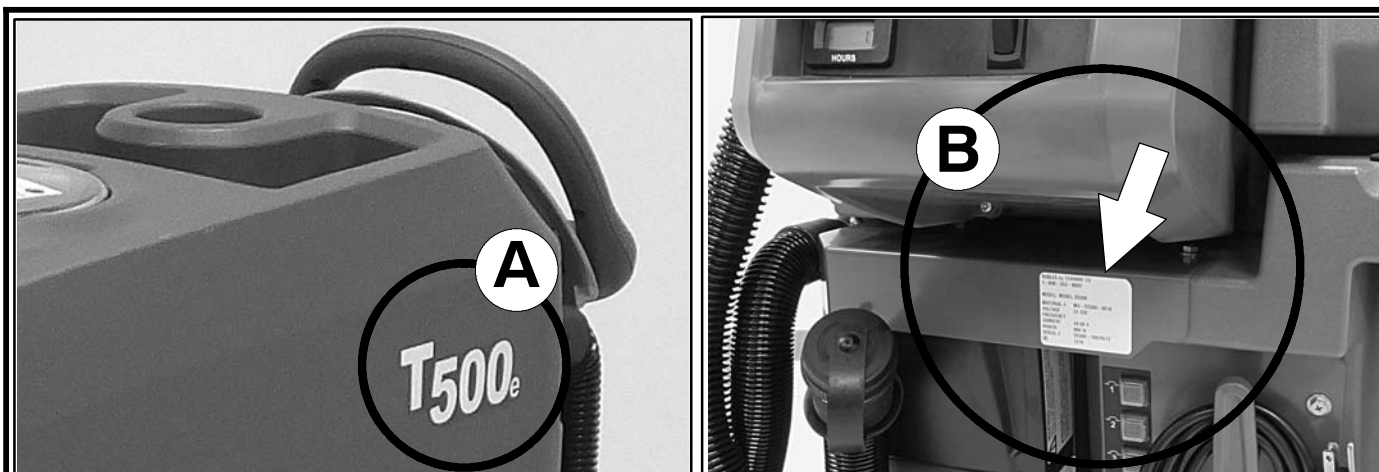
www.tennantco.com/manuals

China / International / Japan

www.tennantco.com

9015525
Rev. 00 (04-2017)





| Ref | Part No. | Serial Number | Description | Qty. |
|-----|----------|------------------|---------------------------------|------|
| 1 | 82681 | (000000-) | Bracket Wldt, Lpg Mount | 1 |
| ▽ 2 | 63810 | (000000-) | Latch Assy, Lpg Tank Mtg, W/Nut | 4 |
| ▲ 3 | 51839 | (000000-) | Nut Adjustable, Lpg Tank Mtg | 2 |
| 4 | 49263 | (000000-) | Tie, Cable | 3 |
| (D) | 82556 | (000000- 001039) | Bracket, Vaporizer | 1 |
| | 54930 | (000000-) | Vaporizer, LPG | 1 |

HOW TO ORDER PARTS - See diagram above

Only use TENNANT Company supplied or equivalent parts. Parts and supplies may be ordered online, by phone, by fax or by mail.

Follow the steps below to ensure prompt delivery.

1. (A) Identify the machine model.
2. (B) Identify the machine serial number from the data label.
3. (C) Ensure the proper serial number is used from the parts list.
4. Identify the part number and quantity.
Do not order by page or reference numbers.
5. Provide your name, company name, customer ID number, billing and shipping address, phone number and purchase order number.
6. Provide detail shipping instructions.

- (D) ▽ - identifies an assembly
 ▲ - identifies parts included in assembly

Please fill out at time of installation for future reference.

Model No. - _____
 Serial No. - _____
 Machine Options - _____
 Sales Rep. - _____
 Sales Rep. phone no. - _____
 Customer ID Number - _____
 Installation Date - _____

Tennant Company
 PO Box 1452
 Minneapolis, MN 55440 USA
 Phone: (800) 553- 8033 or
 (763) 513- 2850
 www.tennantco.com

TENNANT Cleaning Systems & Equipment (Shanghai) Co., Ltd
 Building 1, No. 3777 Caoying Road
 Qingpu Shanghai, China 201712
 Phone: 86 21 6922 5333
 Fax: 86 21 69225151
 www.tennant.co.cn

TENNANT Company Japan
 9F Industry & Trade Center
 2 Yamashita-cho, Naka-ku
 Yokohama, Kanagawa 231-0023
 Japan
 Phone: 81- 45- 640- 5630
 Fax: 81- 45- 640- 5604
 www.tennant.co.jp

Specifications and parts are subject to change without notice.

Copyright © 2017 TENNANT Company, Printed in China.

| | | |
|-----------|--|--|
| CN | <p>如何订购部件 - 参见下表</p> <p>仅使用 TENNANT 公司提供的或同等部件。部件和供应可以在线订购，通过电话、传真或邮件订购。请遵循下面的步骤确保及时交付。</p> <ol style="list-style-type: none"> 1. (A) 确定机器型号。 2. (B) 从数据标签确定机器序列号。 3. (C) 确保使用部件列表中的正确序列号。 4. 确定部件号和数量。 不要按页面或参考编号订购。 5. 提供您的姓名、公司名称、客户 ID 号、付帐和送货地址、电话号码和采购单编号。 6. 提供详细的送货说明。 <hr/> <p>(D) ▽ - 确定组件 ▲ - 确定组件中包含的组件</p> | <p>请在安装时填写供未来参考。</p> <p>型号 - _____</p> <p>序列号 - _____</p> <p>机器选项 - _____</p> <p>销售代表 - _____</p> <p>销售代表电话号码 - _____</p> <p>客户 ID 编号 - _____</p> <p>安装日期 - _____</p> |
|-----------|--|--|

| | | |
|-----------|---|---|
| JP | <p>パーツの発注方法 ? 上記の図を参照してください</p> <p>TENNANT社製のパーツまたは同等品のみをお使いください。パーツやサプライ品のご注文は、オンライン、電話、FAX、または手紙でお願いいたします。確実にお届けできるように、以下の情報お知らせください。</p> <ol style="list-style-type: none"> 1. (A) 製品のモデル名をお知らせください。 2. (B) 製品のデータラベルに印刷されているシリアル番号をお知らせください。 3. (C) パーツリストを参照して、シリアル番号が正しいかご確認ください。 4. パーツ番号と数量をお知らせください。マニュアル/カタログのページ番号や参照番号でのご注文はご遠慮ください。 5. お客様のお名前、会社名、顧客ID番号、請求/発送先住所、電話番号、注文書番号をお知らせください。 6. 発送に関するご希望があれば、明記してください。 <hr/> <p>(D) ▽ - アセンブリを示します ▲ - アセンブリに含まれるパーツを示します</p> | <p>後日確認できるように、設置時に記入してください。</p> <p>モデルNo. - _____</p> <p>シリアルNo. - _____</p> <p>製品のオプション - _____</p> <p>販売代理店 - _____</p> <p>販売代理店の電話番号 - _____</p> <p>顧客ID番号 - _____</p> <p>設置日 - _____</p> |
|-----------|---|---|

STANDARD PARTS

| | |
|---|----|
| GENERAL RECOMMENDED MAINTENANCE ITEMS | 7 |
| GENERAL RECOMMENDED MAINTENANCE ITEMS (JAPAN) | 10 |
| REPLACEMENT BRUSHES AND PAD DRIVER DISK | 12 |
| REPLACEMENT BRUSHES AND PAD DRIVER DISK (JAPAN) | 14 |
| REPLACEMENT BRUSHES CYLINDRICAL | 16 |
| REPLACEMENT PADS ORBITAL | 17 |
| REPLACEMENT PADS ORBITAL (JAPAN) | 18 |
| SCRUB HEAD GROUP, DISK 650MM / 26IN ... | 20 |
| SCRUB HEAD GROUP, DISK 700MM / 28IN ... | 22 |
| SCRUB HEAD GROUP, DISK 800MM / 32IN ... | 24 |
| SCRUB HEAD GROUP, CYLINDRICAL 700MM / 28IN | 26 |
| SCRUB HEAD GROUP, CYLINDRICAL 700MM / 28IN - CONT'D | 28 |
| SCRUB HEAD GROUP, ORBITAL 700MM / 28IN | 30 |
| RECOVERY TANK GROUP | 32 |
| RECOVERY TANK GROUP (JAPAN) | 34 |
| SOLUTION TANK GROUP | 36 |
| STANDARD ELECTRICAL GROUP | 38 |
| FRAME AND DRIVE GROUP | 40 |
| HEAD LIFT GROUP, DISK | 42 |
| HEAD LIFT GROUP, CYLINDRICAL | 44 |
| HEAD LIFT GROUP, ORBITAL | 46 |
| LOWER CONSOLE GROUP, ON- BOARD CHARGER | 48 |
| LOWER CONSOLE GROUP, OFF- BOARD CHARGER | 50 |
| CONSOLE GROUP | 52 |
| SQUEEGEE LIFT GROUP | 54 |
| SQUEEGEE ASSEMBLY, 500MM / 20IN | 56 |
| SQUEEGEE ASSEMBLY, 650MM / 26IN | 58 |
| SQUEEGEE ASSEMBLY, 700MM / 28IN | 60 |
| SQUEEGEE ASSEMBLY, 800MM / 32IN | 62 |
| STANDARD SOLUTION GROUP | 64 |
| STANDARD BATTERY CABLES GROUP | 65 |

STANDARD PARTS - Cont'd

| | |
|--|----|
| LABEL GROUP | 66 |
| LABEL GROUP (JAPAN) | 67 |
| ELECTRICAL DIAGRAM | 68 |
| ELECTRICAL HARNESS, MAIN | 72 |
| ELECTRICAL HARNESS, OPERATOR STATION | 78 |
| ELECTRICAL HARNESS, BAIL SWITCH | 80 |

OPTIONS

| | |
|--|-----|
| TELEMETRY ELECTRICAL GROUP | 82 |
| TELEMETRY BATTERY CABLES GROUP | 84 |
| CONTROL VALVE DRAIN HOSE GROUP | 85 |
| ec-H2O SOLUTION GROUP | 86 |
| PARKING BRAKE GROUP | 88 |
| BATTERY BOX LIFT OUT GROUP | 90 |
| EXTRA BATTERY BOX LIFT OUT KIT | 92 |
| BATTERY GROUP, WET 240AH | 93 |
| BATTERY GROUP, AGM 220AH | 94 |
| BATTERY GROUP, WET 260AH (AUSTRALIA) . | 95 |
| SMART-FILL™ AUTOMATIC BATTERY WATERING GROUP | 96 |
| HYDROLINK® MANUAL BATTERY WATERING KIT | 98 |
| DOCUMENTATION GROUP | 100 |

BREAKDOWNS

| | |
|---|-----|
| ec- H2O NANOCLEAN MODULE BREAKDOWN | 102 |
| ORBITAL HEAD ECCENTRIC DRIVE BREAKDOWN | 104 |
| AUTOMATIC BATTERY WATERING MODULE BREAKDOWN | 106 |

TABLE OF CONTENTS

RECOMMENDED MAINTENANCE ITEMS

GENERAL RECOMMENDED MAINTENANCE ITEMS

| Part No. | Serial Number | Description | Qty. |
|-----------|-----------------------|--|------|
| 1223989 | (30000000- 40000000) | Brush Assy, Disk, Scb, 13.0d, Pyp | 2 |
| 1223991 | (30000000- 40000000) | Brush Assy, Disk, Scb, 13.0d, Nyl | 2 |
| 1223990 | (30000000- 40000000) | Brush Assy, Disk, Scb, 13.0d, Sab | 2 |
| 89046 | (30000000- 40000000) | Pad, Stripping, 13.0d, Brown[1pick=1pad] | 2 |
| 89047 | (30000000- 40000000) | Pad, Scb, 13.0d, Blu | 2 |
| 89048 | (30000000- 40000000) | Pad, Buff, 13.0d, Red [1pick=1pad] | 2 |
| 89049 | (30000000- 40000000) | Pad, Polish, 13.0d, White [1pick=1pad] | 2 |
| 1051024 | (30000000- 40000000) | Pad, Surf Prep, 13.0d [Mar, 1pick=1pad] | 2 |
| 1220218 | (30000000- 40000000) | Brush Assy, Disk, Scb, 14.0d, Pyp | 2 |
| 1221541 | (30000000- 40000000) | Brush Assy, Disk, Scb, 14.0d, Nyl | 2 |
| 1220217 | (30000000- 40000000) | Brush Assy, Disk, Scb, 14.0d, Sab | 2 |
| 222327 | (30000000- 40000000) | Pad, Stripping, 14.0d, Brown[1pick=1pad] | 2 |
| 222326 | (30000000- 40000000) | Pad, Scb, 14.0d, Blu [1pick=1pad] | 2 |
| 222325 | (30000000- 40000000) | Pad, Buff, 14.0d, Red | 2 |
| 222324 | (30000000- 40000000) | Pad, Polish, 14.0d, White [1pick=1pad] | 2 |
| 370091 | (30000000- 40000000) | Pad, Stripping, 14.0d, Blk [Hi Prod] | 2 |
| 1051026 | (30000000- 40000000) | Pad, Surf Prep, 14.0d [Mar, 1pick=1pad] | 2 |
| 1220216 | (30000000- 40000000) | Brush Assy, Disk, Scb, 16.0d, Pyp | 2 |
| 1220215 | (30000000- 40000000) | Brush Assy, Disk, Scb, 16.0d, Nyl | 2 |
| 1220214 | (30000000- 40000000) | Brush Assy, Disk, Scb, 16.0d, Sab | 2 |
| 63248- 1 | (30000000- 40000000) | Pad, Stripping, 16.0d, Brown[1pick=1pad] | 2 |
| 63248- 2 | (30000000- 40000000) | Pad, Scb, 16.0d, Blu [1pick=1pad] | 2 |
| 63248- 3 | (30000000- 40000000) | Pad, Buff, 16.0d, Red [1pick=1pad] | 2 |
| 63248- 4 | (30000000- 40000000) | Pad, Polish, 16.0d, White [1pick=1pad] | 2 |
| 370092 | (30000000- 40000000) | Pad, Stripping, 16.0d, Blk [Hi Prod] | 2 |
| 1051027 | (30000000- 40000000) | Pad, Surf Prep, 16.0d [Mar, 1pick=1pad] | 2 |
| 222304 | (30000000- 40000000) | Brush, Scb, 28l, 18sr, Pyp, Spl | 2 |
| 222305 | (30000000- 40000000) | Brush, Scb, 28l, 18sr, Nyl, Spl | 2 |
| 222306 | (30000000- 40000000) | Brush, Scb, 28l, 18sr, Abr, Spl | 2 |
| 1223247 | (30000000- 40000000) | Pad, Scb, 28 X 14, Blu [1pick=1pc] | 1 |
| 1218157 | (30000000- 40000000) | Pad, Buff, 28 X 14, Red [1pick=1pc] | 1 |
| 1223246 | (30000000- 40000000) | Pad, Polish, 28 X 14, White [1pick=1pc] | 1 |
| 1223248 | (30000000- 40000000) | Pad, Surf Prep, 28 X 14, Mar [1pick=1pc] | 1 |
| 1223250 | (30000000- 40000000) | Pad, Scb, 28 X 14, Green [1pick=1ctn] | 1 |
| 1075563 | (30000000- 40000000) | Pad, Stripping, 28 X 14, Blk [1pick=1ctn] | 1 |
| 1221839 | (30000000- 40000000) | Pad, Backer, 28 X 14 | 1 |
| 222403 | (30000000- 40000000) | Wheel, 02.0d 0.88w 0.50b (Disk Head) | 2 |
| 1221522 | (30000000- 40000000) | Bumper, Head, 65cm, Skirt, Im [T500] | 1 |
| 1221520 | (30000000- 40000000) | Bumper, Head, 70cm, Skirt, Im [T500] | 1 |
| 1221512 | (30000000- 40000000) | Bumper, Head, 80cm, Skirt, Im [T500] | 1 |
| 630477 | (30000000- 40000000) | Wheel, Pyu, 02.0d 0.38w, Gray (Cylindrical Head) | 6 |
| ▽ 1023067 | (30000000- 40000000) | Motor, Ele, 24vdc 0220rpm 0.75hp Gear (Disk Head) | 2 |
| ▲ 1031775 | (30000000- 40000000) | Brush Kit, Carbon, Motor, Replmt [T5] (Disk Head) | 1 |
| ▽ 1223429 | (30000000- 40000000) | Motor, Ele, 24vdc 1500rpm 0.60hp (Cylindrical Head) | 2 |
| ▲ 1031775 | (30000000- 40000000) | Brush Kit, Carbon, Motor, Replmt [T5] (Cylindrical Head) | 1 |
| 1218573 | (30000000- 40000000) | Skirt, Side, Scrb, Cyl [T500] | 4 |
| ▽ 9015765 | (30000000- 40000000) | Belt Kit, Motor, Ci (Cylindrical Head) | 1 |
| ▲ 1213132 | (30000000- 40000000) | Tool, Installation, Belt (Cylindrical Head) | 1 |
| ▽ 1219913 | (30000000- 40000000) | Motor, Ele, 24vdc, 2200rpm, 0.75hp 28.0a (Orbital Head) | 1 |
| ▲ 1059370 | (30000000- 40000000) | Brush, Motor, Replmt [Bag Of 4] (Orbital Head) | 1 |
| 1014918 | (30000000- 40000000) | Wheel, 03.0d 0.88w 0.31b, W/ Bshg, Rbr (Orbital Head) | 2 |

RECOMMENDED MAINTENANCE ITEMS

GENERAL RECOMMENDED MAINTENANCE ITEMS

| | Part No. | Serial Number | Description | Qty. |
|---|----------|-----------------------|---|------|
| ▽ | 9015731 | (30000000- 40000000) | Blade Kit, 500mm, Linatex (Standard) | 1 |
| ▲ | 1203953 | (30000000- 40000000) | Blade, Sqge, Rear, 836l, Linatex[500mm] (Standard) | 1 |
| ▲ | 1203954 | (30000000- 40000000) | Blade, Sqge, Front, 788l, Linatex[500mm] (Standard) | 1 |
| ▽ | 9015732 | (30000000- 40000000) | Blade Kit, 500mm, Urethane (Option) | 1 |
| ▲ | 1215609 | (30000000- 40000000) | Blade, Sqge, Rear, 836l, Urethane[500mm] (Option) | 1 |
| ▲ | 1215611 | (30000000- 40000000) | Blade, Sqge, Front, 788l, Urethane[500mm] (Option) | 1 |
| ▽ | 9015730 | (30000000- 40000000) | Blade Kit, 500mm, Gum (Option) | 1 |
| ▲ | 1215610 | (30000000- 40000000) | Blade, Sqge, Rear, 836l, Gum[500mm] (Option) | 1 |
| ▲ | 1215612 | (30000000- 40000000) | Blade, Sqge, Front, 788l, Gum[500mm] (Option) | 1 |
| ▽ | 9015734 | (30000000- 40000000) | Blade Kit, 650mm, Linatex (Standard) | 1 |
| ▲ | 1221585 | (30000000- 40000000) | Blade, Sqge, Rear, 1166l, Linatex[650mm] (Standard) | 1 |
| ▲ | 1232680 | (30000000- 40000000) | Blade, Sqge, Front, 1072l Linard[650mm] (Standard) | 1 |
| ▽ | 9015735 | (30000000- 40000000) | Blade Kit, 650mm, Urethane (Option) | 1 |
| ▲ | 1228909 | (30000000- 40000000) | Blade, Sqge, Rear, 1136l,Urethane[650mm] (Option) | 1 |
| ▲ | 1228915 | (30000000- 40000000) | Blade, Sqge, Front,1072l,Urethane[650mm] (Option) | 1 |
| ▽ | 9015733 | (30000000- 40000000) | Blade Kit, 650mm, Gum (Option) | 1 |
| ▲ | 1228910 | (30000000- 40000000) | Blade, Sqge, Rear, 1136l, Gum[650mm] (Option) | 1 |
| ▲ | 1228919 | (30000000- 40000000) | Blade, Sqge, Front, 1072l Gum[650mm] (Option) | 1 |
| ▽ | 9015737 | (30000000- 40000000) | Blade Kit, 700mm, Linatex (Standard) | 1 |
| ▲ | 1221572 | (30000000- 40000000) | Blade, Sqge, Rear, 1204l, Linatex[700mm] (Standard) | 1 |
| ▲ | 1232679 | (30000000- 40000000) | Blade, Sqge, Front, 1148l Linard[700mm] (Standard) | 1 |
| ▽ | 9015738 | (30000000- 40000000) | Blade Kit, 700mm, Urethane (Option) | 1 |
| ▲ | 1228904 | (30000000- 40000000) | Blade, Sqge, Rear, 1204l,Urethane[700mm] (Option) | 1 |
| ▲ | 1228906 | (30000000- 40000000) | Blade, Sqge, Front,1148l Urethane[700mm] (Option) | 1 |
| ▽ | 9015736 | (30000000- 40000000) | Blade Kit, 700mm, Gum (Option) | 1 |
| ▲ | 1228905 | (30000000- 40000000) | Blade, Sqge, Rear, 1204l, Gum[700mm] (Option) | 1 |
| ▲ | 1228907 | (30000000- 40000000) | Blade, Sqge, Front, 1148l Gum[700mm] (Option) | 1 |
| ▽ | 9015740 | (30000000- 40000000) | Blade Kit, 800mm, Linatex (Standard) | 1 |
| ▲ | 1221115 | (30000000- 40000000) | Blade, Sqge, Rear, 1306l, Linatex[800mm] (Standard) | 1 |
| ▲ | 1232681 | (30000000- 40000000) | Blade, Sqge, Front, 1256l Linard[800mm] (Standard) | 1 |
| ▽ | 9015741 | (30000000- 40000000) | Blade Kit, 800mm, Urethane (Option) | 1 |
| ▲ | 1228920 | (30000000- 40000000) | Blade, Sqge, Rear, 1306l,Urethane[800mm] (Option) | 1 |
| ▲ | 1228922 | (30000000- 40000000) | Blade, Sqge, Front,1256l Urethane[800mm] (Option) | 1 |
| ▽ | 9015739 | (30000000- 40000000) | Blade Kit, 800mm, Gum (Option) | 1 |
| ▲ | 1228921 | (30000000- 40000000) | Blade, Sqge, Rear, 1306l, Gum[800mm] (Option) | 1 |
| ▲ | 1228923 | (30000000- 40000000) | Blade, Sqge, Front, 1256l Gum[800mm] (Option) | 1 |

RECOMMENDED MAINTENANCE ITEMS

GENERAL RECOMMENDED MAINTENANCE ITEMS

| | Part No. | Serial Number | Description | Qty. |
|---|----------|-----------------------|--|------|
| | 630052 | (30000000- 40000000) | Float, Shut- Off, (2)Ball, 1.75d | 1 |
| | 9015756 | (30000000- 40000000) | Seal, Cover, Recvy, Ci [T500] | 1 |
| | 1224414 | (30000000- 40000000) | Hose Assy, W/2cuff,1.5d 033l 1.5/1.5[Pu] (Gray) | 1 |
| | 1211220 | (30000000- 40000000) | Hose Assy,W/2cuff,1.5d 022l 1.5/1.5[Pvc] (Black) | 1 |
| ▽ | 1228242 | (30000000- 40000000) | Hose Assy, Drain, 1.5d 024l 2/1.5cap[Pu] (Gray) | 1 |
| ▲ | 1219134 | (30000000- 40000000) | Cap, Drain Assy [Gray] | 1 |
| ▽ | 1228252 | (30000000- 40000000) | Hose Assy, Drain, 1.5d 014l 2/1.5cap Pvc (Black) | 1 |
| ▲ | 1218955 | (30000000- 40000000) | Cap, Drain Assy [Black] | 1 |
| | 9015758 | (30000000- 40000000) | Seal, Tank, Soltn, Ci [T500/T500e] | 1 |
| | 1066431 | (30000000- 40000000) | Seal, Afmkt, Bulb, Dual, 03ft [F/.30gap](Soltn Tank Front) | 1 |
| | 1212422 | (30000000- 40000000) | Caster, Swivel [Wicke 224051] | 2 |
| ▽ | 9004909 | (30000000- 40000000) | Wheel Kit, Solid, Ci [T5 T5e Ss5] | 1 |
| ▲ | 1223583 | (30000000- 40000000) | Wheel, Scrbr, 213mm, W/ Taper | 2 |
| ▽ | 1031723 | (30000000- 40000000) | Motor, Transaxle, 24vdc, Afmkt [T5] | 1 |
| ▲ | 614166 | (30000000- 40000000) | Brush Kit, Carbon, Transaxle, Replmt [4] | 1 |
| ▽ | 1219312 | (30000000- 40000000) | Fan, Vacuum, 5.7d, 024vdc, 2 Stage | 1 |
| ▲ | 372883 | (30000000- 40000000) | Vr, Brush Kit, Motor, Ele | 1 |
| | 100038 | (30000000- 40000000) | Gasket, .50, 02.63id 05.75od, Adh [Epdm] | 1 |
| ▽ | 1211537 | (30000000- 40000000) | Filter, In- Line, Pf06/Pf06 080m 2.6l Epd | 1 |
| ▲ | 1218885 | (30000000- 40000000) | Gasket [Epdm, F/1211537] | 1 |
| ▲ | 1218883 | (30000000- 40000000) | Screen, Fltr, 80 Mesh, Ss [W/ Cage] | 1 |
| ▲ | 613991 | (30000000- 40000000) | Bowl, Clr, Short, F/1005302 | 1 |
| ▽ | 9011810 | (30000000- 40000000) | Module Kit, Replmt [Ec- H2o, B 02] (Includes Cartridge) | 1 |
| ▽ | 9014127 | (30000000- 40000000) | Controller Kit, Replmt [Ec- H2o Nc] (Includes Cartridge) | 1 |
| ▲ | 9013646 | (30000000- 40000000) | Cartridge, Ec- H2o Nanoclean Wcm, 270ml | 1 |
| ▽ | 9015727 | (30000000- 40000000) | Hose Kit, Drain, Pu, W/ Valve, Ci[T500e] (Gray) | 1 |
| ▲ | 1051986 | (30000000- 40000000) | Valve, Ball, 2way, 1.0id Pvc, W/Handle | 1 |
| ▲ | 1228335 | (30000000- 40000000) | Hose Assy, W/2cuff,1.5d 022l 2.0/1.5[Pu] (Gray) | 1 |
| ▲ | 1229567 | (30000000- 40000000) | Strap, Hanger | 1 |

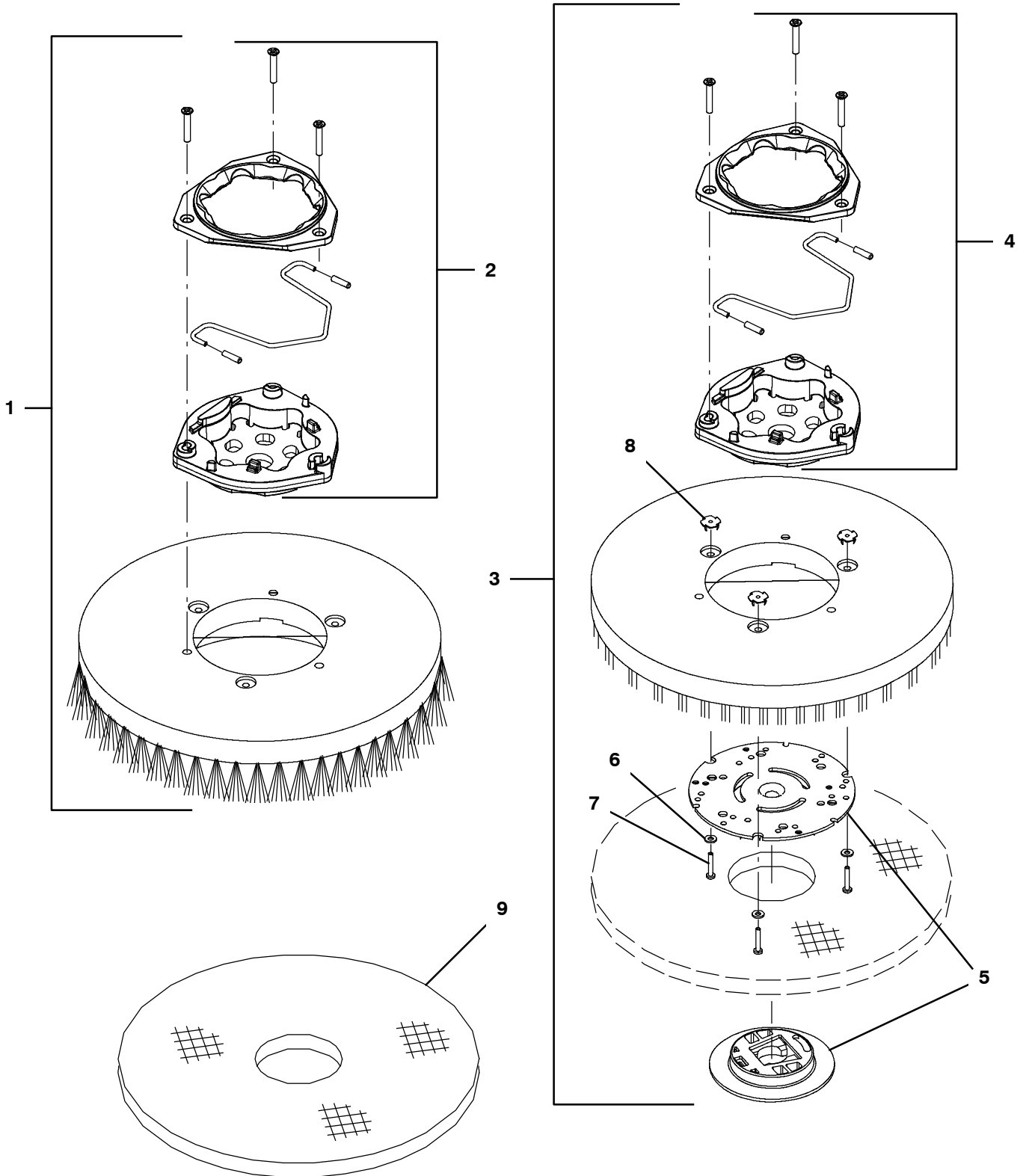
RECOMMENDED MAINTENANCE ITEMS

GENERAL RECOMMENDED MAINTENANCE ITEMS (JAPAN)

| Ref. | Part No. | Serial Number | Description | Qty. |
|------|----------|-----------------------|---|------|
| | 1223989 | (30000000- 40000000) | Brush Assy, Disk, Scb, 13.0d, Pyp | 2 |
| | 1223991 | (30000000- 40000000) | Brush Assy, Disk, Scb, 13.0d, Nyl | 2 |
| | 1223990 | (30000000- 40000000) | Brush Assy, Disk, Scb, 13.0d, Sab | 2 |
| | 989646 | (30000000- 40000000) | Pad Blown 13 Inch | 2 |
| | 989653 | (30000000- 40000000) | Pad Blue 13 Inch | 2 |
| | 989660 | (30000000- 40000000) | Pad Red 13 Inch | 2 |
| | 989674 | (30000000- 40000000) | Pad White 13 Inch | 2 |
| | 1051024 | (30000000- 40000000) | Pad, Surf Prep, 13.0d [Mar, 1pick=1pad] | 2 |
| | 1220218 | (30000000- 40000000) | Brush Assy, Disk, Scb, 14.0d, Pyp | 2 |
| | 1221541 | (30000000- 40000000) | Brush Assy, Disk, Scb, 14.0d, Nyl | 2 |
| | 1220217 | (30000000- 40000000) | Brush Assy, Disk, Scb, 14.0d, Sab | 2 |
| | 989647 | (30000000- 40000000) | Pad Blown 14 Inch | 2 |
| | 989654 | (30000000- 40000000) | Pad Blue 14 Inch | 2 |
| | 989661 | (30000000- 40000000) | Pad Red 14 Inch | 2 |
| | 989698 | (30000000- 40000000) | Pad White 14 Inch | 2 |
| | 989636 | (30000000- 40000000) | Pad Black Hi Pro 14 Inch | 2 |
| | 1051026 | (30000000- 40000000) | Pad, Surf Prep, 14.0d [Mar, 1pick=1pad] | 2 |
| | 1220216 | (30000000- 40000000) | Brush Assy, Disk, Scb, 16.0d, Pyp | 2 |
| | 1220215 | (30000000- 40000000) | Brush Assy, Disk, Scb, 16.0d, Nyl | 2 |
| | 1220214 | (30000000- 40000000) | Brush Assy, Disk, Scb, 16.0d, Sab | 2 |
| | 989648 | (30000000- 40000000) | Pad Blown 16 Inch | 2 |
| | 989655 | (30000000- 40000000) | Pad Blue 16 Inch | 2 |
| | 989662 | (30000000- 40000000) | Pad Red 16 Inch | 2 |
| | 989637 | (30000000- 40000000) | Pad Black Hi Pro 16 Inch | 2 |
| | 989041 | (30000000- 40000000) | Pad, Blue, Scrubbing (5pcs/1box) (Orbital Head) | 1 |
| | 989042 | (30000000- 40000000) | Pad, Red, Cleaning (5pcs/1box) (Orbital Head) | 1 |
| | 989043 | (30000000- 40000000) | Pad, White, Polishing (5pcs/1box) (Orbital Head) | 1 |
| | 989044 | (30000000- 40000000) | Pad, Brown, Stripping (5pcs/1box) (Orbital Head) | 1 |
| | 989045 | (30000000- 40000000) | Pad, Black, Stripping (5pcs/1box) (Orbital Head) | 1 |
| | 989046 | (30000000- 40000000) | Pad, Light Blue, Ceramic Scrubbing (3pcs/1box) (Orbital Head) | 1 |
| | 989047 | (30000000- 40000000) | Pad, White, Ceramic Scrubbing (3pcs/1box) (Orbital Head) | 1 |
| ▽ | 9015727 | (30000000- 40000000) | Hose Kit, Drain, Pu, W/ Valve, Ci[T500e] (Gray) | 1 |
| ▲ | 1051986 | (30000000- 40000000) | Valve, Ball, 2way, 1.0id Pvc, W/Handle | 1 |
| ▲ | 1228335 | (30000000- 40000000) | Hose Assy, W/2cuff,1.5d 022l 2.0/1.5[Pu] (Gray) | 1 |
| ▲ | 1229567 | (30000000- 40000000) | Strap, Hanger | 1 |

REPLACEMENT BRUSHES AND PAD DRIVER DISK

355426



REPLACEMENT BRUSHES AND PAD DRIVER DISK

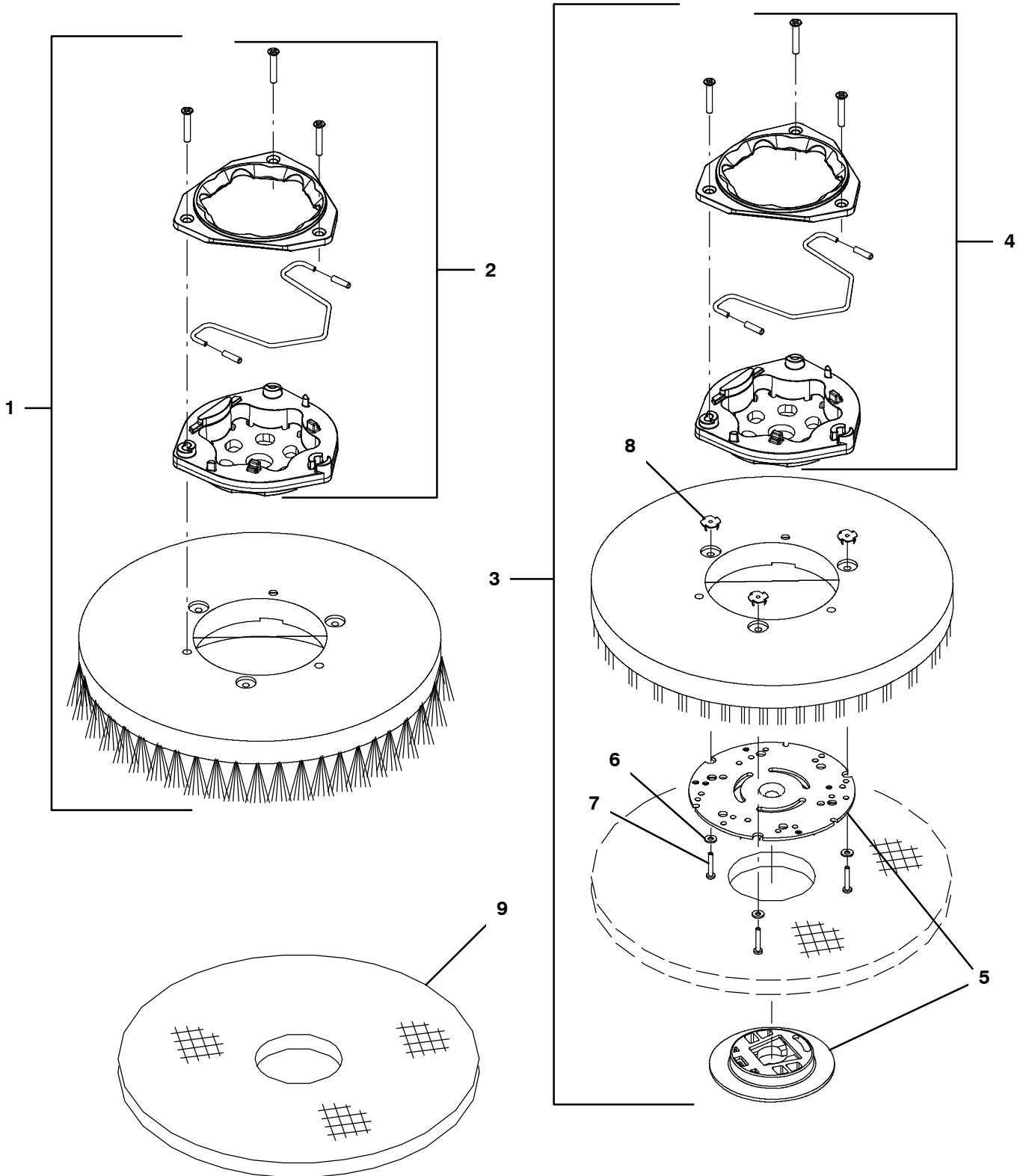
| Ref. | Part No. | Serial Number | Description | Qty. |
|------|----------|---------------|--|------|
| ▽ | 1 | 1223989 | (30000000- 40000000) Brush Assy, Disk, Scb, 13.0d, Pyp | 2 |
| ▽ | 1 | 1223991 | (30000000- 40000000) Brush Assy, Disk, Scb, 13.0d, Nyl | 2 |
| ▽ | 1 | 1223990 | (30000000- 40000000) Brush Assy, Disk, Scb, 13.0d, Sab | 2 |
| ▽ | 1 | 1220218 | (30000000- 40000000) Brush Assy, Disk, Scb, 14.0d, Pyp | 2 |
| ▽ | 1 | 1221541 | (30000000- 40000000) Brush Assy, Disk, Scb, 14.0d, Nyl | 2 |
| ▽ | 1 | 1220217 | (30000000- 40000000) Brush Assy, Disk, Scb, 14.0d, Sab | 2 |
| ▽ | 1 | 1220216 | (30000000- 40000000) Brush Assy, Disk, Scb, 16.0d, Pyp | 2 |
| ▽ | 1 | 1220215 | (30000000- 40000000) Brush Assy, Disk, Scb, 16.0d, Nyl | 2 |
| ▽ | 1 | 1220214 | (30000000- 40000000) Brush Assy, Disk, Scb, 16.0d, Sab | 2 |
| ▲ | 2 | 9014667 | (30000000- 40000000) Brush Kit, Hub Assy, Drive, Ci [Comm] | 1 |
| ▽ | 3 | 1220220 | (30000000- 40000000) Driver Assy, Pad, 13.0d, Brush | 2 |
| ▽ | 3 | 1220221 | (30000000- 40000000) Driver Assy, Pad, 14.0d, Brush | 2 |
| ▽ | 3 | 1220222 | (30000000- 40000000) Driver Assy, Pad, 16.0d, Brush | 2 |
| ▲ | 4 | 9014667 | (30000000- 40000000) Brush Kit, Hub Assy, Drive, Ci [Comm] | 1 |
| ▲ | 5 | 370095 | (30000000- 40000000) Device, Centering, Clip On, TI [Gf Pp] | 1 |
| ▲ | 6 | 41579 | (30000000- 40000000) Washer, Flat, 08, Ss | 3 |
| ▲ | 7 | 04403 | (30000000- 40000000) Screw, Pan, Phl, M4 X 0.70 X 25, Nl, Ss | 3 |
| ▲ | 8 | 10908 | (30000000- 40000000) Nut, T, M4 X 0.70 | 3 |
| | 9 | 89046 | (30000000- 40000000) Pad, Stripping, 13.0d, Brown[1pick=1pad] | 2 |
| | 9 | 89047 | (30000000- 40000000) Pad, Scb, 13.0d, Blu | 2 |
| | 9 | 89048 | (30000000- 40000000) Pad, Buff, 13.0d, Red [1pick=1pad] | 2 |
| | 9 | 89049 | (30000000- 40000000) Pad, Polish, 13.0d, White [1pick=1pad] | 2 |
| | 9 | 1051024 | (30000000- 40000000) Pad, Surf Prep, 13.0d [Mar, 1pick=1pad] | 2 |
| | 9 | 222327 | (30000000- 40000000) Pad, Stripping, 14.0d, Brown[1pick=1pad] | 2 |
| | 9 | 222326 | (30000000- 40000000) Pad, Scb, 14.0d, Blu [1pick=1pad] | 2 |
| | 9 | 222325 | (30000000- 40000000) Pad, Buff, 14.0d, Red | 2 |
| | 9 | 222324 | (30000000- 40000000) Pad, Polish, 14.0d, White [1pick=1pad] | 2 |
| | 9 | 370091 | (30000000- 40000000) Pad, Stripping, 14.0d, Blk [Hi Prod] | 2 |
| | 9 | 1051026 | (30000000- 40000000) Pad, Surf Prep, 14.0d [Mar, 1pick=1pad] | 2 |
| | 9 | 63248- 1 | (30000000- 40000000) Pad, Stripping, 16.0d, Brown[1pick=1pad] | 2 |
| | 9 | 63248- 2 | (30000000- 40000000) Pad, Scb, 16.0d, Blu [1pick=1pad] | 2 |
| | 9 | 63248- 3 | (30000000- 40000000) Pad, Buff, 16.0d, Red [1pick=1pad] | 2 |
| | 9 | 63248- 4 | (30000000- 40000000) Pad, Polish, 16.0d, White [1pick=1pad] | 2 |
| | 9 | 370092 | (30000000- 40000000) Pad, Stripping, 16.0d, Blk [Hi Prod] | 2 |
| | 9 | 1051027 | (30000000- 40000000) Pad, Surf Prep, 16.0d [Mar, 1pick=1pad] | 2 |

▽ ASSEMBLY

▲ INCLUDED IN ASSEMBLY

REPLACEMENT BRUSHES AND PAD DRIVER DISK (JAPAN)

355426



REPLACEMENT BRUSHES AND PAD DRIVER DISK (JAPAN)

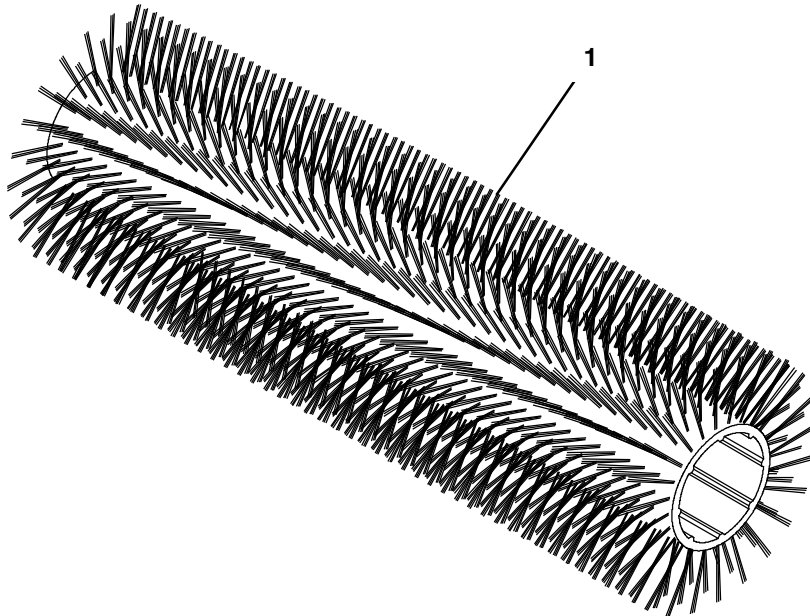
| Ref. | Part No. | Serial Number | Description | Qty. |
|------|----------|---------------|---|------|
| ▽ | 1 | 1223989 | (30000000- 40000000) Brush Assy, Disk, Scb, 13.0d, Pyp | 2 |
| ▽ | 1 | 1223991 | (30000000- 40000000) Brush Assy, Disk, Scb, 13.0d, Nyl | 2 |
| ▽ | 1 | 1223990 | (30000000- 40000000) Brush Assy, Disk, Scb, 13.0d, Sab | 2 |
| ▽ | 1 | 1220218 | (30000000- 40000000) Brush Assy, Disk, Scb, 14.0d, Pyp | 2 |
| ▽ | 1 | 1221541 | (30000000- 40000000) Brush Assy, Disk, Scb, 14.0d, Nyl | 2 |
| ▽ | 1 | 1220217 | (30000000- 40000000) Brush Assy, Disk, Scb, 14.0d, Sab | 2 |
| ▽ | 1 | 1220216 | (30000000- 40000000) Brush Assy, Disk, Scb, 16.0d, Pyp | 2 |
| ▽ | 1 | 1220215 | (30000000- 40000000) Brush Assy, Disk, Scb, 16.0d, Nyl | 2 |
| ▽ | 1 | 1220214 | (30000000- 40000000) Brush Assy, Disk, Scb, 16.0d, Sab | 2 |
| ▲ | 2 | 9014667 | (30000000- 40000000) Brush Kit, Hub Assy, Drive, Ci [Comm] | 1 |
| ▽ | 3 | 1220220 | (30000000- 40000000) Driver Assy, Pad, 13.0d, Brush | 2 |
| ▽ | 3 | 1220221 | (30000000- 40000000) Driver Assy, Pad, 14.0d, Brush | 2 |
| ▽ | 3 | 1220222 | (30000000- 40000000) Driver Assy, Pad, 16.0d, Brush | 2 |
| ▲ | 4 | 9014667 | (30000000- 40000000) Brush Kit, Hub Assy, Drive, Ci [Comm] | 1 |
| ▲ | 5 | 370095 | (30000000- 40000000) Device, Centering, Clip On, TI [Gf Pp] | 1 |
| ▲ | 6 | 41579 | (30000000- 40000000) Washer, Flat, 08, Ss | 3 |
| ▲ | 7 | 04403 | (30000000- 40000000) Screw, Pan, Phl, M4 X 0.70 X 25, NI, Ss | 3 |
| ▲ | 8 | 10908 | (30000000- 40000000) Nut, T, M4 X 0.70 | 3 |
| | 9 | 989646 | (30000000- 40000000) Pad Blown 13 Inch | 2 |
| | 9 | 989653 | (30000000- 40000000) Pad Blue 13 Inch | 2 |
| | 9 | 989660 | (30000000- 40000000) Pad Red 13 Inch | 2 |
| | 9 | 989674 | (30000000- 40000000) Pad White 13 Inch | 2 |
| | 9 | 1051024 | (30000000- 40000000) Pad, Surf Prep, 13.0d [Mar, 1pick=1pad] | 2 |
| | 9 | 989647 | (30000000- 40000000) Pad Blown 14 Inch | 2 |
| | 9 | 989654 | (30000000- 40000000) Pad Blue 14 Inch | 2 |
| | 9 | 989661 | (30000000- 40000000) Pad Red 14 Inch | 2 |
| | 9 | 989698 | (30000000- 40000000) Pad White 14 Inch | 2 |
| | 9 | 989636 | (30000000- 40000000) Pad Black Hi Pro 14 Inch | 2 |
| | 9 | 1051026 | (30000000- 40000000) Pad, Surf Prep, 14.0d [Mar, 1pick=1pad] | 2 |
| | 9 | 989648 | (30000000- 40000000) Pad Blown 16 Inch | 2 |
| | 9 | 989655 | (30000000- 40000000) Pad Blue 16 Inch | 2 |
| | 9 | 989662 | (30000000- 40000000) Pad Red 16 Inch | 2 |
| | 9 | 989637 | (30000000- 40000000) Pad Black Hi Pro 16 Inch | 2 |
| | 9 | 989642 | (30000000- 40000000) Pad Black 16 Inch | 2 |

▽ ASSEMBLY

▲ INCLUDED IN ASSEMBLY

REPLACEMENT BRUSHES CYLINDRICAL

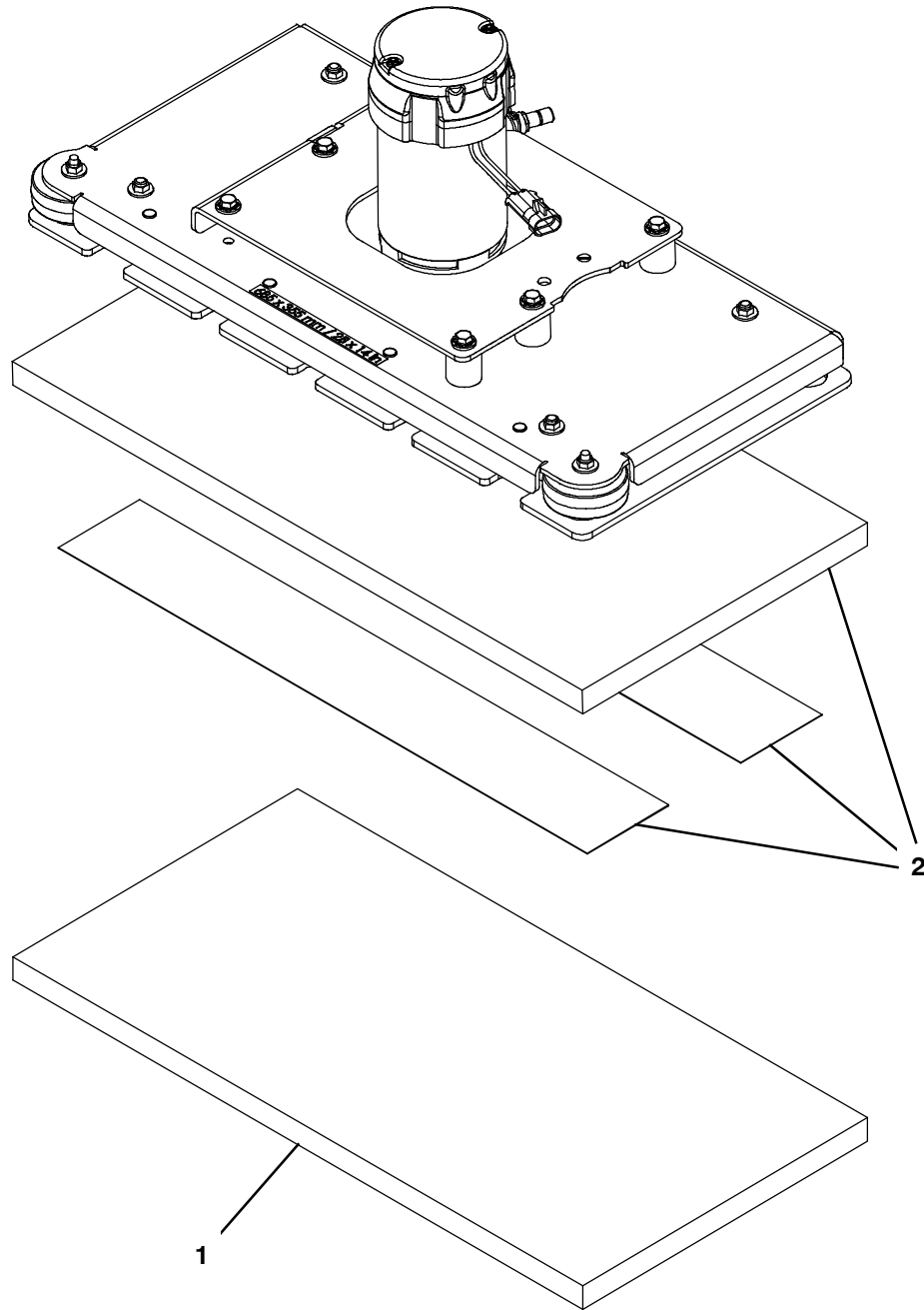
355427



| Ref. | Part No. | Serial Number | Description | Qty. |
|------|----------|-----------------------|---------------------------------|------|
| 1 | 222304 | (30000000- 40000000) | Brush, Scb, 28l, 18sr, Pyp, Spl | 2 |
| 1 | 222305 | (30000000- 40000000) | Brush, Scb, 28l, 18sr, Nyl, Spl | 2 |
| 1 | 222306 | (30000000- 40000000) | Brush, Scb, 28l, 18sr, Abr, Spl | 2 |

REPLACEMENT PADS ORBITAL

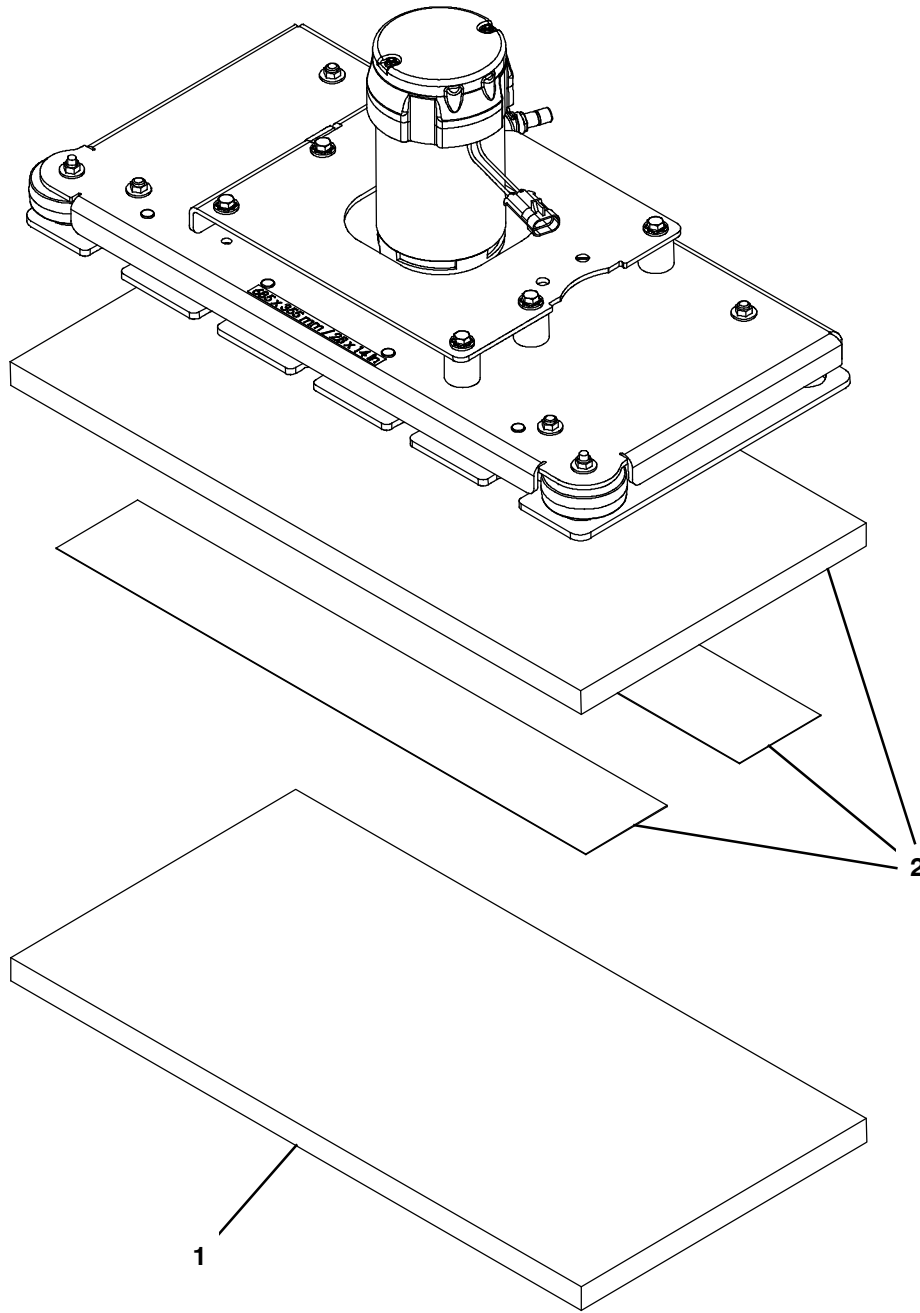
355478



| Ref. | Part No. | Serial Number | Description | Qty. |
|------|----------|-----------------------|--|------|
| 1 | 1223247 | (30000000- 40000000) | Pad, Scb, 28 X 14, Blu [1pick=1pc] | 1 |
| 1 | 1218157 | (30000000- 40000000) | Pad, Buff, 28 X 14, Red [1pick=1pc] | 1 |
| 1 | 1223246 | (30000000- 40000000) | Pad, Polish, 28 X 14, White [1pick=1pc] | 1 |
| 1 | 1223248 | (30000000- 40000000) | Pad, Surf Prep, 28 X 14, Mar [1pick=1pc] | 1 |
| 1 | 1223250 | (30000000- 40000000) | Pad, Scb, 28 X 14, Green [1pick=1ctn] | 1 |
| 2 | 1221839 | (30000000- 40000000) | Pad, Backer, 28 X 14 (Includes Velcro Fasteners) | 1 |

REPLACEMENT PADS ORBITAL (JAPAN)

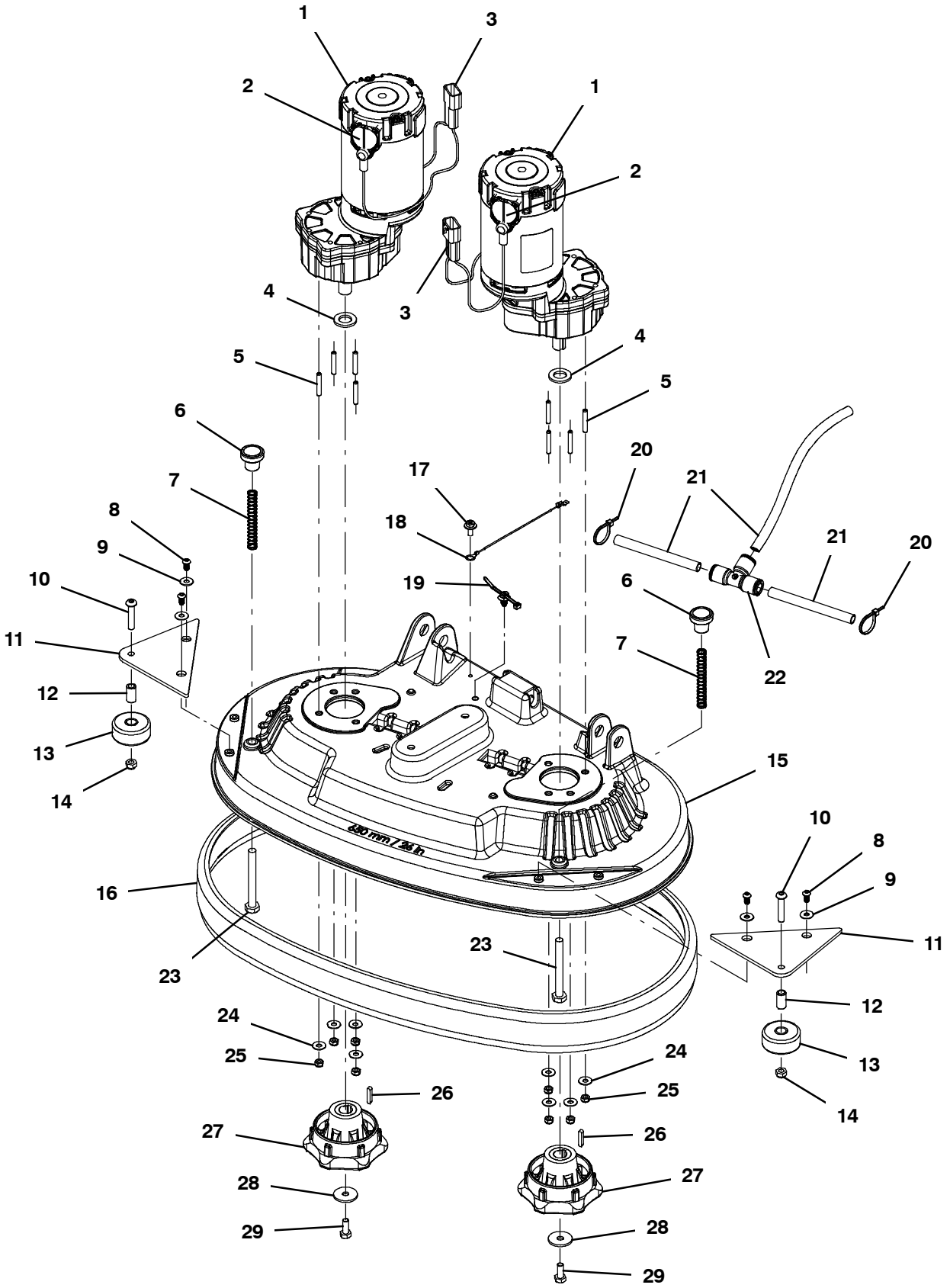
355478



| Ref. | Part No. | Serial Number | Description | Qty. |
|------|----------|-----------------------|--|------|
| 1 | 989041 | (30000000- 40000000) | Pad, Blue, Scrubbing (5pcs/1box) | 1 |
| 1 | 989042 | (30000000- 40000000) | Pad, Red, Cleaning (5pcs/1box) | 1 |
| 1 | 989043 | (30000000- 40000000) | Pad, White, Polishing (5pcs/1box) | 1 |
| 1 | 989044 | (30000000- 40000000) | Pad, Brown, Stripping (5pcs/1box) | 1 |
| 1 | 989045 | (30000000- 40000000) | Pad, Black, Stripping (5pcs/1box) | 1 |
| 1 | 989046 | (30000000- 40000000) | Pad, Light Blue, Ceramic Scrubbing (3pcs/1box) | 1 |
| 1 | 989047 | (30000000- 40000000) | Pad, White, Ceramic Scrubbing (3pcs/1box) | 1 |
| 1 | 1223248 | (30000000- 40000000) | Pad, Surf Prep, 28 X 14, Mar [1pick=1pc] | 1 |
| 2 | 1221839 | (30000000- 40000000) | Pad, Backer, 28 X 14 (Includes Velcro Fasteners) | 1 |

SCRUB HEAD GROUP, DISK 650MM / 26IN

355421



SCRUB HEAD GROUP, DISK 650MM / 26IN

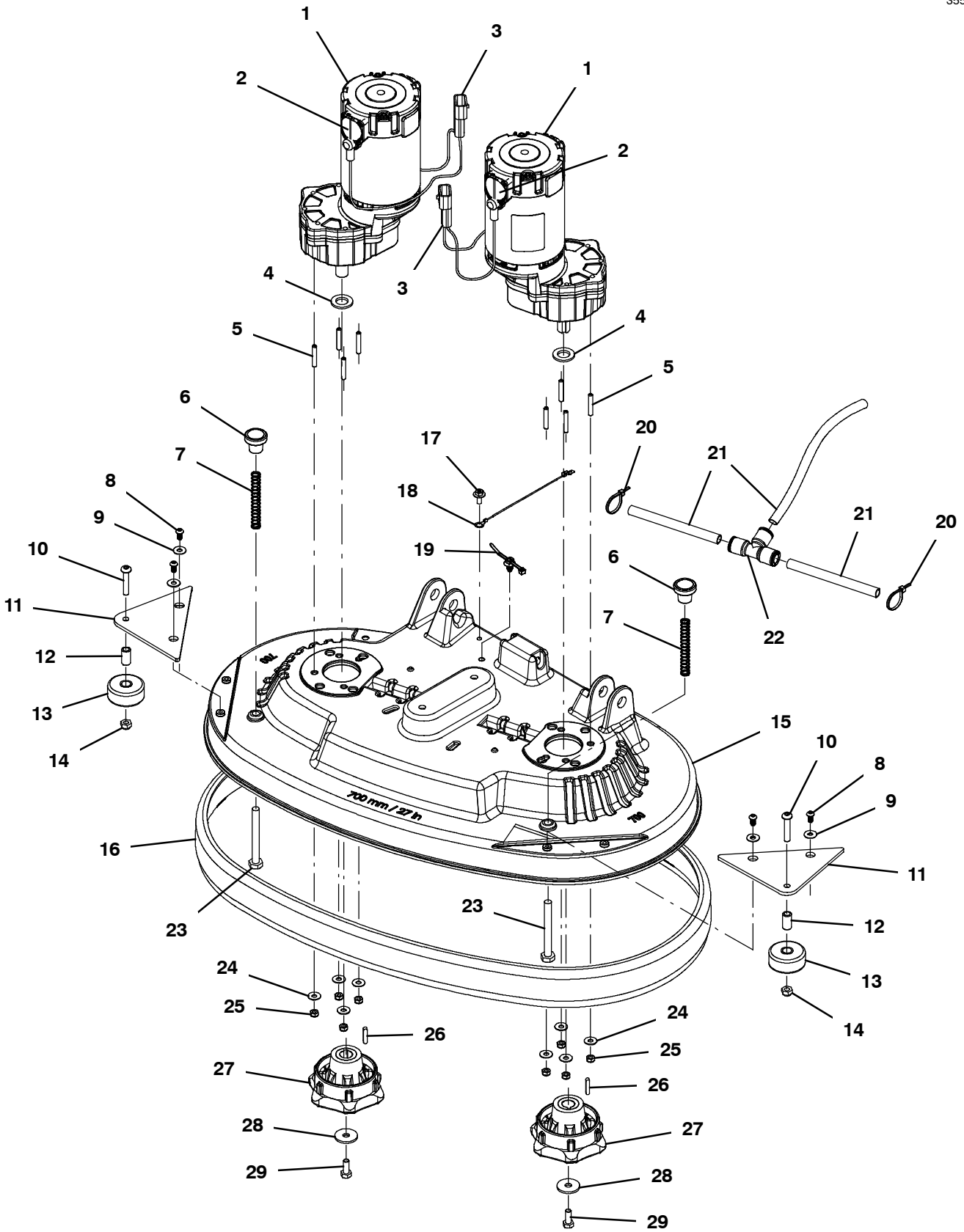
| Ref. | Part No. | Serial Number | Description | Qty. |
|------|----------|---------------|--|------|
| ▽ | 1 | 1023067 | (30000000- 40000000) Motor, Ele, 24vdc 0220rpm 0.75hp Gear | 2 |
| ▲ | 2 | 1031775 | (30000000- 40000000) Brush Kit, Carbon, Motor, Replmt [T5] | 1 |
| ▲ | 3 | 1031681 | (30000000- 40000000) Harness, Connector, Brush- Motor [T5] Us | 1 |
| | 4 | 1022549 | (30000000- 40000000) Spacer, Shaft, 17.15b 30.0d 3.0l, Ss | 2 |
| | 5 | 1025853 | (30000000- 40000000) Screw, Set, M6 X 1.00 X 35, NI, Ss | 8 |
| | 6 | 1222988 | (30000000- 40000000) Knob, Rnd, 31.0d 27.0l M10, Plstc | 2 |
| | 7 | 626081 | (30000000- 40000000) Spring, Cmpr, 0.48od .04wir 03.5l | 2 |
| | 8 | 1227865 | (30000000- 40000000) Screw, Trs, M6 X 1.0 X 12, Phl, Ss, NI | 4 |
| | 9 | 01684 | (30000000- 40000000) Washer, Flat, 0.27b 0.69d .05, Ss | 4 |
| | 10 | 397826 | (30000000- 40000000) Screw, Btn, M8 X 1.25 X 40, Ss | 2 |
| | 11 | 1227709 | (30000000- 40000000) Bracket, Roller, Wall | 2 |
| | 12 | 222496 | (30000000- 40000000) Sleeve, P/M, 0.32b 0.50d 0.9l [430ss] | 2 |
| | 13 | 222403 | (30000000- 40000000) Wheel, 02.0d 0.88w 0.50b | 2 |
| | 14 | 08713 | (30000000- 40000000) Nut, Hex, Lock, M8 X 1.25, NI, Ss | 2 |
| | 15 | 1222365 | (30000000- 40000000) Housing, Disc, Dual, 65cm [Machined] | 1 |
| | 16 | 1221522 | (30000000- 40000000) Bumper, Head, 65cm, Skirt, Im [T500] | 1 |
| | 17 | 1034731 | (30000000- 40000000) Screw, Hex, M6 X 1.00 X 16, Sems, Ss | 1 |
| | 18 | 1074344 | (30000000- 40000000) Harness, Ele [Ring With .250m Tail] | 1 |
| | 19 | 1210807 | (30000000- 40000000) Wire, Tie [W/.25" Fir Tree Clip] | 1 |
| | 20 | 130773 | (30000000- 40000000) Tie, Cable, Nyl, 11.0l, .14w, 3.0 Max. D | 2 |
| | 21 | 9014145 | (30000000- 40000000) Hose, Afrmkt, Pe, .375id .50od, 05ft | 1 |
| | 22 | 1212858 | (30000000- 40000000) Fitting, Plstc, Tee, Qf08/Qf08/Qf08 | 1 |
| | 23 | 09746 | (30000000- 40000000) Screw, Hex, M10 X 1.50 X 90, Ss | 2 |
| | 24 | 01684 | (30000000- 40000000) Washer, Flat, 0.27b 0.69d .05, Ss | 8 |
| | 25 | 08712 | (30000000- 40000000) Nut, Hex, Lock, M6 X 1.00, NI, Ss | 8 |
| | 26 | 1014328 | (30000000- 40000000) Key, Sq, 05mm X 05mm, 25mml | 2 |
| | 27 | 1071637 | (30000000- 40000000) Hub, Drive, Brush, Disk, 17mmb | 2 |
| | 28 | 1017218 | (30000000- 40000000) Washer, Flat, 0.32b 1.00d .12, Ss | 2 |
| | 29 | 12273 | (30000000- 40000000) Screw, Hex, M8 X 1.25 X 20, NI, Ss | 2 |

▽ ASSEMBLY

▲ INCLUDED IN ASSEMBLY

SCRUB HEAD GROUP, DISK 700MM / 28IN

355422



SCRUB HEAD GROUP, DISK 700MM / 28IN

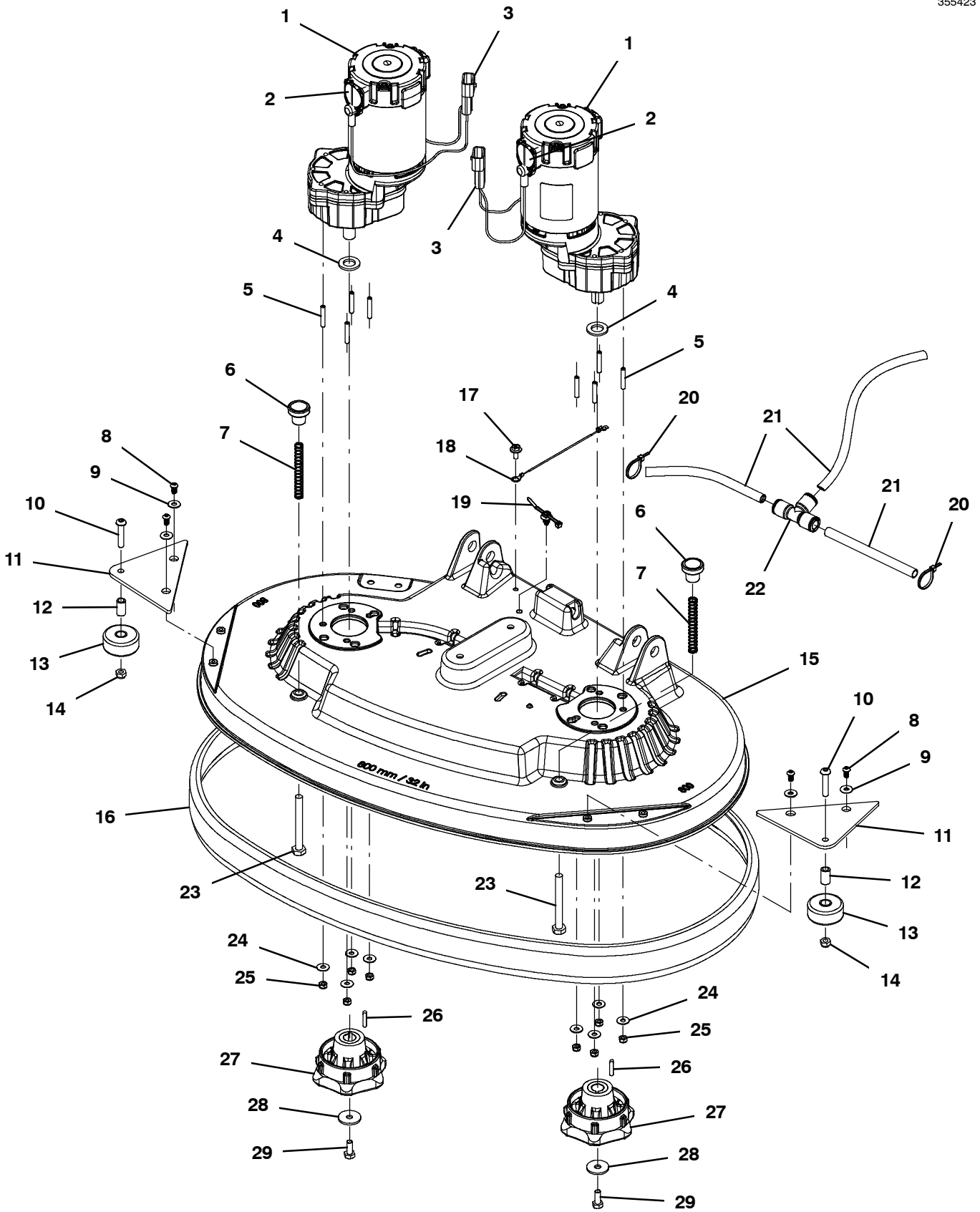
| Ref. | Part No. | Serial Number | Description | Qty. |
|------|----------|---------------|--|------|
| ▽ | 1 | 1023067 | (30000000- 40000000) Motor, Ele, 24vdc 0220rpm 0.75hp Gear | 2 |
| ▲ | 2 | 1031775 | (30000000- 40000000) Brush Kit, Carbon, Motor, Replmt [T5] | 1 |
| ▲ | 3 | 1031681 | (30000000- 40000000) Harness, Connector, Brush- Motor [T5] Us | 1 |
| | 4 | 1022549 | (30000000- 40000000) Spacer, Shaft, 17.15b 30.0d 3.0l, Ss | 2 |
| | 5 | 1025853 | (30000000- 40000000) Screw, Set, M6 X 1.00 X 35, NI, Ss | 8 |
| | 6 | 1222988 | (30000000- 40000000) Knob, Rnd, 31.0d 27.0l M10, Plstc | 2 |
| | 7 | 626081 | (30000000- 40000000) Spring, Cmpr, 0.48od .04wir 03.5l | 2 |
| | 8 | 1227865 | (30000000- 40000000) Screw, Trs, M6 X 1.0 X 12, Phl, Ss, NI | 4 |
| | 9 | 01684 | (30000000- 40000000) Washer, Flat, 0.27b 0.69d .05, Ss | 4 |
| | 10 | 397826 | (30000000- 40000000) Screw, Btn, M8 X 1.25 X 40, Ss | 2 |
| | 11 | 1227709 | (30000000- 40000000) Bracket, Roller, Wall | 2 |
| | 12 | 222496 | (30000000- 40000000) Sleeve, P/M, 0.32b 0.50d 0.9l [430ss] | 2 |
| | 13 | 222403 | (30000000- 40000000) Wheel, 02.0d 0.88w 0.50b | 2 |
| | 14 | 08713 | (30000000- 40000000) Nut, Hex, Lock, M8 X 1.25, NI, Ss | 2 |
| | 15 | 1222364 | (30000000- 40000000) Housing, Disc, Dual, 70cm [Machined] | 1 |
| | 16 | 1221520 | (30000000- 40000000) Bumper, Head, 70cm, Skirt, Im [T500] | 1 |
| | 17 | 1034731 | (30000000- 40000000) Screw, Hex, M6 X 1.00 X 16, Sems, Ss | 1 |
| | 18 | 1074344 | (30000000- 40000000) Harness, Ele [Ring With .250m Tail] | 1 |
| | 19 | 1210807 | (30000000- 40000000) Wire, Tie [W/.25" Fir Tree Clip] | 1 |
| | 20 | 130773 | (30000000- 40000000) Tie, Cable, Nyl, 11.0l, .14w, 3.0 Max. D | 2 |
| | 21 | 9014145 | (30000000- 40000000) Hose, Afrmkt, Pe, .375id .50od, 05ft | 1 |
| | 22 | 1212858 | (30000000- 40000000) Fitting, Plstc, Tee, Qf08/Qf08/Qf08 | 1 |
| | 23 | 09746 | (30000000- 40000000) Screw, Hex, M10 X 1.50 X 90, Ss | 2 |
| | 24 | 01684 | (30000000- 40000000) Washer, Flat, 0.27b 0.69d .05, Ss | 8 |
| | 25 | 08712 | (30000000- 40000000) Nut, Hex, Lock, M6 X 1.00, NI, Ss | 8 |
| | 26 | 1014328 | (30000000- 40000000) Key, Sq, 05mm X 05mm, 25mml | 2 |
| | 27 | 1071637 | (30000000- 40000000) Hub, Drive, Brush, Disk, 17mmb | 2 |
| | 28 | 1017218 | (30000000- 40000000) Washer, Flat, 0.32b 1.00d .12, Ss | 2 |
| | 29 | 12273 | (30000000- 40000000) Screw, Hex, M8 X 1.25 X 20, NI, Ss | 2 |

▽ ASSEMBLY

▲ INCLUDED IN ASSEMBLY

SCRUB HEAD GROUP, DISK 800MM / 32IN

355423



SCRUB HEAD GROUP, DISK 800MM / 32IN

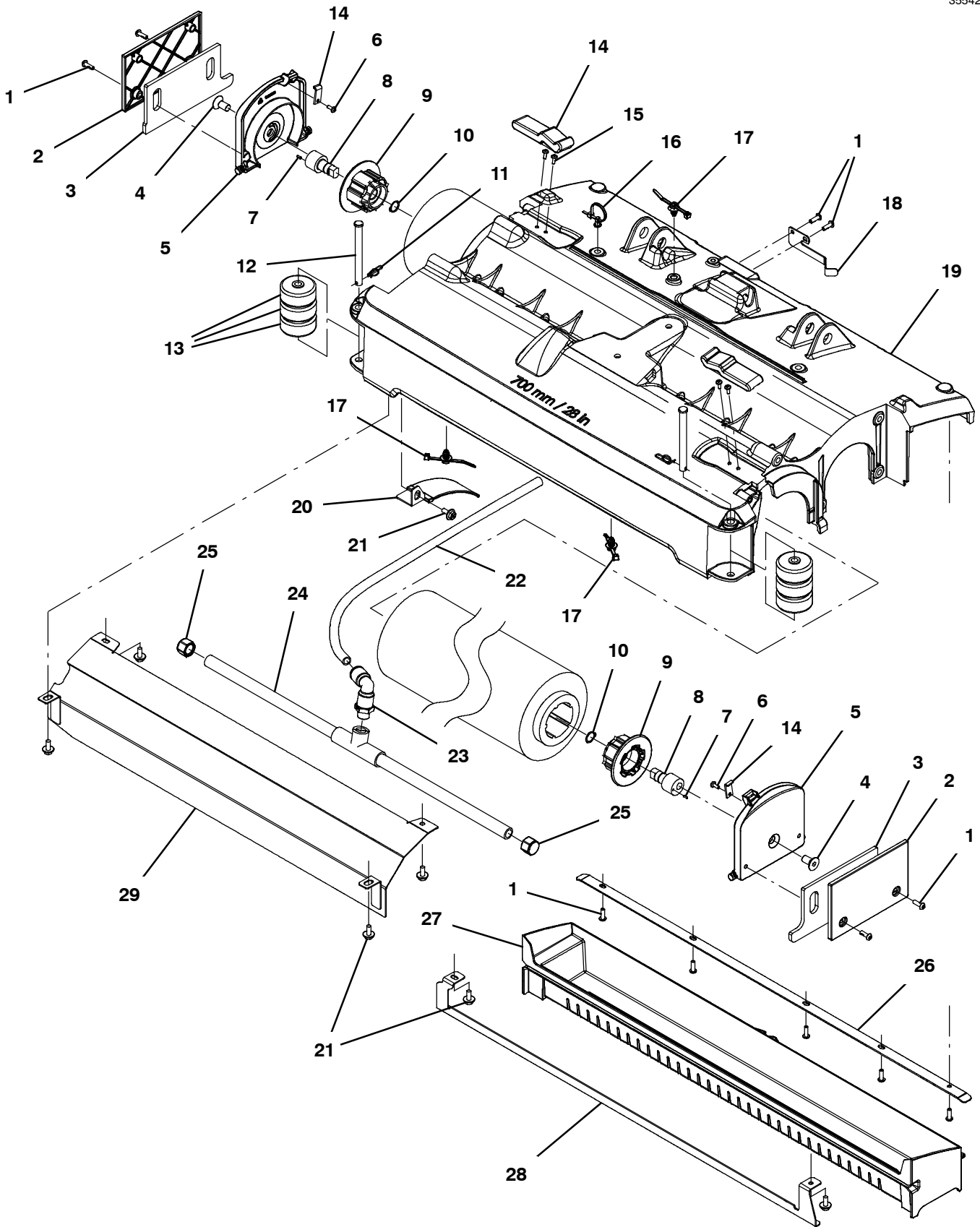
| Ref. | Part No. | Serial Number | Description | Qty. |
|------|----------|---------------|--|------|
| ▽ | 1 | 1023067 | (30000000- 40000000) Motor, Ele, 24vdc 0220rpm 0.75hp Gear | 2 |
| ▲ | 2 | 1031775 | (30000000- 40000000) Brush Kit, Carbon, Motor, Replmt [T5] | 1 |
| ▲ | 3 | 1031681 | (30000000- 40000000) Harness, Connector, Brush- Motor [T5] Us | 1 |
| | 4 | 1022549 | (30000000- 40000000) Spacer, Shaft, 17.15b 30.0d 3.0l, Ss | 2 |
| | 5 | 1025853 | (30000000- 40000000) Screw, Set, M6 X 1.00 X 35, NI, Ss | 8 |
| | 6 | 1222988 | (30000000- 40000000) Knob, Rnd, 31.0d 27.0l M10, Plstc | 2 |
| | 7 | 626081 | (30000000- 40000000) Spring, Cmpr, 0.48od .04wir 03.5l | 2 |
| | 8 | 1227865 | (30000000- 40000000) Screw, Trs, M6 X 1.0 X 12, Phl, Ss, NI | 4 |
| | 9 | 01684 | (30000000- 40000000) Washer, Flat, 0.27b 0.69d .05, Ss | 4 |
| | 10 | 397826 | (30000000- 40000000) Screw, Btn, M8 X 1.25 X 40, Ss | 2 |
| | 11 | 1227709 | (30000000- 40000000) Bracket, Roller, Wall | 2 |
| | 12 | 222496 | (30000000- 40000000) Sleeve, P/M, 0.32b 0.50d 0.9l [430ss] | 2 |
| | 13 | 222403 | (30000000- 40000000) Wheel, 02.0d 0.88w 0.50b | 2 |
| | 14 | 08713 | (30000000- 40000000) Nut, Hex, Lock, M8 X 1.25, NI, Ss | 2 |
| | 15 | 1222293 | (30000000- 40000000) Housing, Disc, Dual, 80cm [Machined] | 1 |
| | 16 | 1221512 | (30000000- 40000000) Bumper, Head, 80cm, Skirt, Im [T500] | 1 |
| | 17 | 1034731 | (30000000- 40000000) Screw, Hex, M6 X 1.00 X 16, Sems, Ss | 1 |
| | 18 | 1074344 | (30000000- 40000000) Harness, Ele [Ring With .250m Tail] | 1 |
| | 19 | 1210807 | (30000000- 40000000) Wire, Tie [W/.25" Fir Tree Clip] | 1 |
| | 20 | 130773 | (30000000- 40000000) Tie, Cable, Nyl, 11.0l, .14w, 3.0 Max. D | 2 |
| | 21 | 9014145 | (30000000- 40000000) Hose, Afrmkt, Pe, .375id .50od, 05ft | 1 |
| | 22 | 1212858 | (30000000- 40000000) Fitting, Plstc, Tee, Qf08/Qf08/Qf08 | 1 |
| | 23 | 09746 | (30000000- 40000000) Screw, Hex, M10 X 1.50 X 90, Ss | 2 |
| | 24 | 01684 | (30000000- 40000000) Washer, Flat, 0.27b 0.69d .05, Ss | 8 |
| | 25 | 08712 | (30000000- 40000000) Nut, Hex, Lock, M6 X 1.00, NI, Ss | 8 |
| | 26 | 1014328 | (30000000- 40000000) Key, Sq, 05mm X 05mm, 25mml | 2 |
| | 27 | 1071637 | (30000000- 40000000) Hub, Drive, Brush, Disk, 17mmb | 2 |
| | 28 | 1017218 | (30000000- 40000000) Washer, Flat, 0.32b 1.00d .12, Ss | 2 |
| | 29 | 12273 | (30000000- 40000000) Screw, Hex, M8 X 1.25 X 20, NI, Ss | 2 |

▽ ASSEMBLY

▲ INCLUDED IN ASSEMBLY

SCRUB HEAD GROUP, CYLINDRICAL 700MM / 28IN

355424

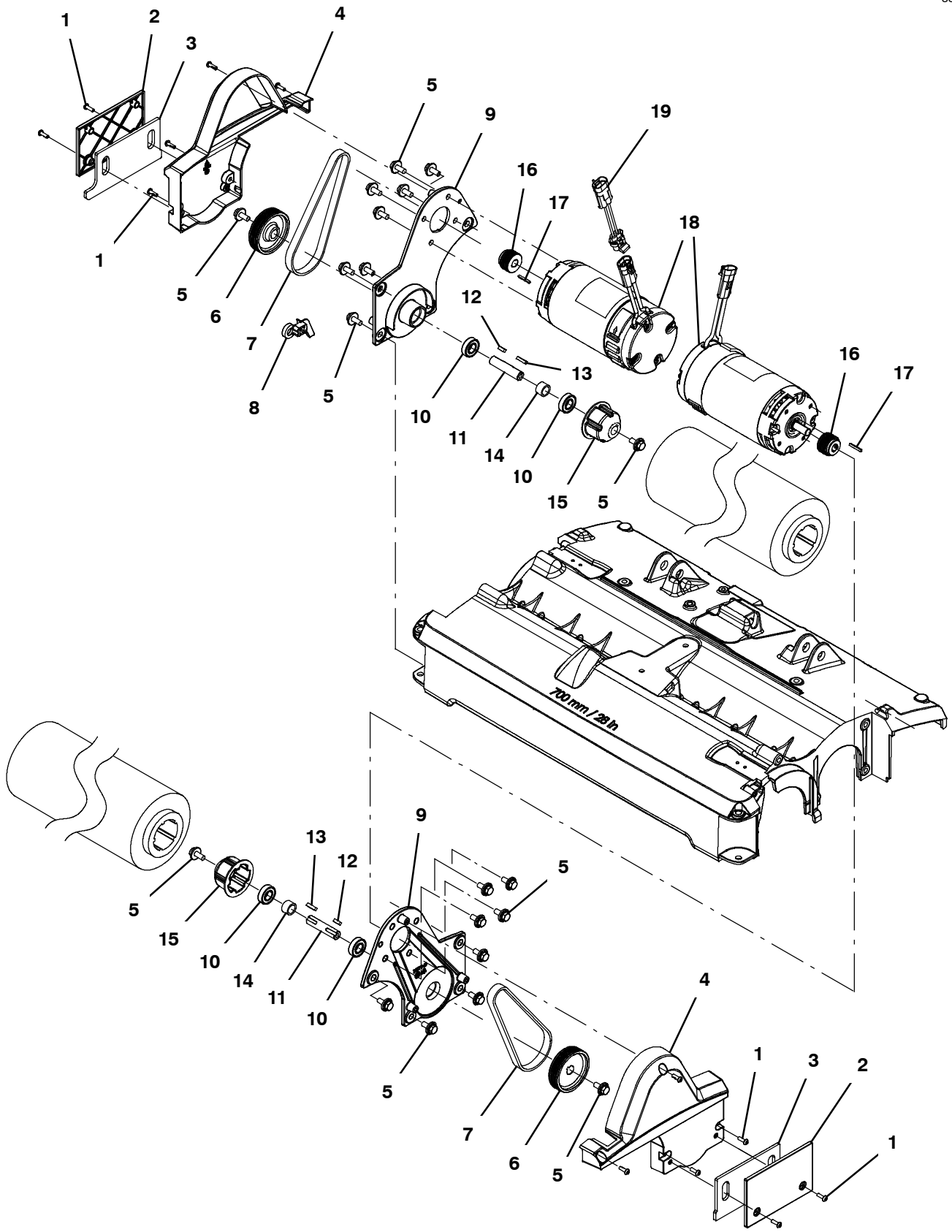


SCRUB HEAD GROUP, CYLINDRICAL 700MM / 28IN

| Ref. | Part No. | Serial Number | Description | Qty. |
|------|----------|-----------------------|--|------|
| 1 | 1205799 | (30000000- 40000000) | Screw, Btn, M5 X 0.8 X 16, 8.8, NI, Torx | 2 |
| 2 | 1218032 | (30000000- 40000000) | Cover, Skirt, 2cyl [T500] | 2 |
| 3 | 1218573 | (30000000- 40000000) | Skirt, Side, Scrub, Cyl [T500] | 2 |
| 4 | 390996 | (30000000- 40000000) | Screw, Flt, Soc, M10 X 1.50 X 20, 10.9, NI | 2 |
| 5 | 1218692 | (30000000- 40000000) | Door, Brush, 2cyl [Machined, T500] | 1 |
| 6 | 49697 | (30000000- 40000000) | Screw, Pan, Phl, M4 X 0.70 X 10, Ss | 6 |
| 7 | 222184 | (30000000- 40000000) | Pin, Roll, .094d X 0.25l, .094/.097 | 2 |
| 8 | 222177 | (30000000- 40000000) | Shaft, Plug, Idler | 2 |
| 9 | 1057629 | (30000000- 40000000) | Plug, Idler, Brush [Sgl Brg] | 2 |
| 10 | 01516 | (30000000- 40000000) | Ring, Retaining, Ext, 0.59d, Basic | 2 |
| 11 | 1216647 | (30000000- 40000000) | Pin, Cotter, Hair, 0.38d .054 Wir | 2 |
| 12 | 49914 | (30000000- 40000000) | Pin, Clevis, 0.37d X 4.00l | 2 |
| 13 | 630477 | (30000000- 40000000) | Wheel, Pyu, 02.0d 0.38w, Gray | 6 |
| 14 | 1207285 | (30000000- 40000000) | Latch, Draw, Rbr, W/ Keeper, Yellow | 2 |
| 15 | 49697 | (30000000- 40000000) | Screw, Pan, Phl, M4 X 0.70 X 10, Ss | 6 |
| 16 | 1221161 | (30000000- 40000000) | Tie, Cable, Nyl, Push Mount, 76mm Max D | 1 |
| 17 | 1210807 | (30000000- 40000000) | Wire, Tie [W/.25" Fir Tree Clip] | 3 |
| 18 | 1218242 | (30000000- 40000000) | Bracket, Spring, Tray, Debris [T500] | 1 |
| 19 | 1217942 | (30000000- 40000000) | Housing, Cyl, 70cm [Machined] | 1 |
| 20 | 1029358 | (30000000- 40000000) | Deflector, Water, Cyl Head | 1 |
| 21 | 1034731 | (30000000- 40000000) | Screw, Hex, M6 X 1.00 X 16, Sems, Ss | 7 |
| 22 | 9014145 | (30000000- 40000000) | Hose, Afrmkt, Pe, .375id .50od, 05ft | 1 |
| 23 | 1212987 | (30000000- 40000000) | Fitting, Plstc, E90, Qf08/Pm06, Swivel | 1 |
| 24 | 1046049 | (30000000- 40000000) | Tube Assy, Bar, Spray, 70cm [T5, 5680] | 1 |
| 25 | 1025580 | (30000000- 40000000) | Fitting, Pipe, Cap, P06, Nyl | 2 |
| 26 | 1218153 | (30000000- 40000000) | Bracket, Tray, Debris [T500] | 1 |
| 27 | 1218144 | (30000000- 40000000) | Tray, Debris, 700mm [Im] [Rhine] | 1 |
| 28 | 1218577 | (30000000- 40000000) | Bracket, Slide, Tray, Debris | 1 |
| 29 | 1219969 | (30000000- 40000000) | Panel Wldt, Wrap, Brush [T500] | 1 |

SCRUB HEAD GROUP, CYLINDRICAL 700MM / 28IN - CONT'D

355430



SCRUB HEAD GROUP, CYLINDRICAL 700MM / 28IN - CONT'D

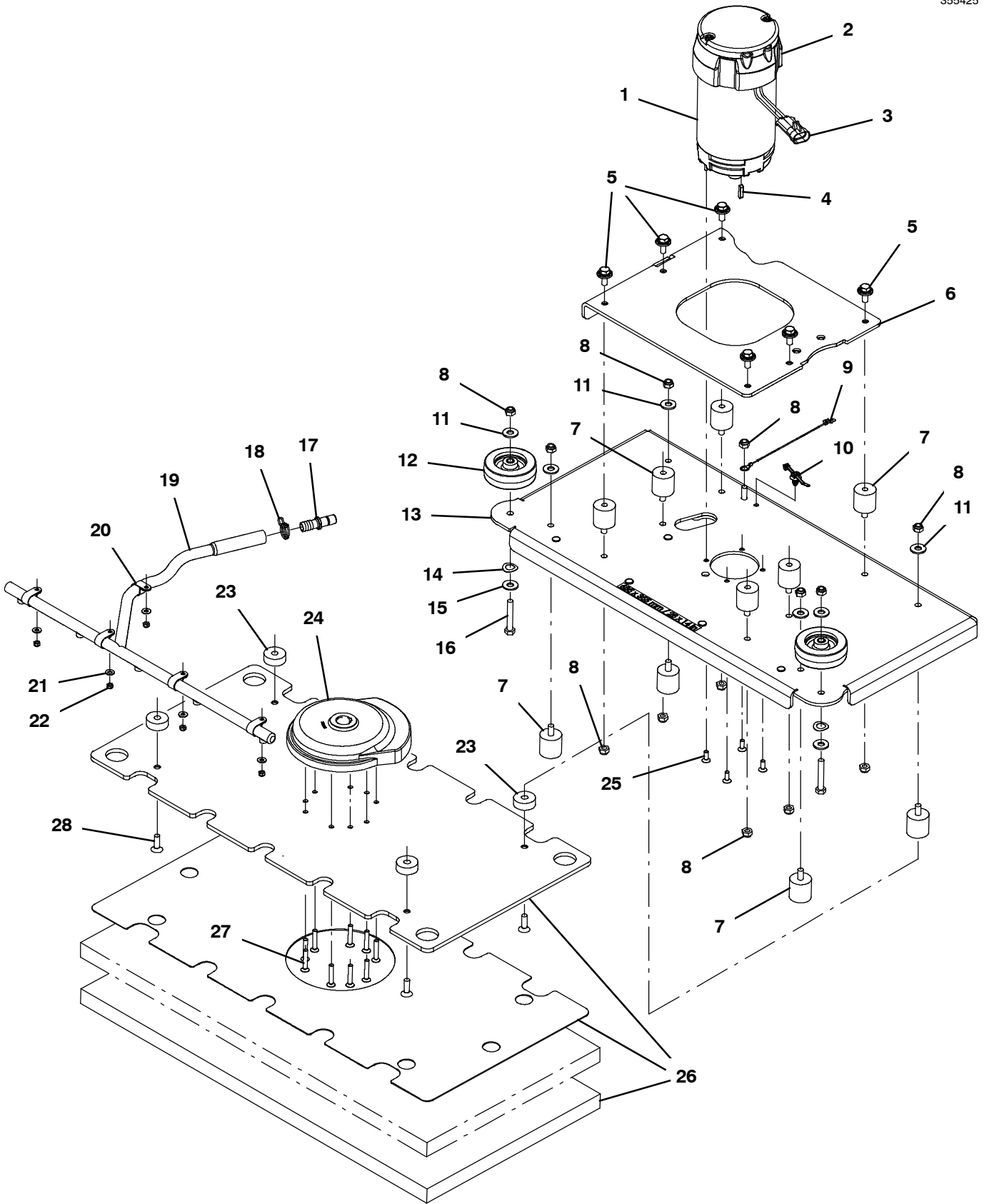
| Ref. | Part No. | Serial Number | Description | Qty. | |
|------|----------|-----------------------|--|---|---|
| 1 | 1205799 | (30000000- 40000000) | Screw, Btn, M5 X 0.8 X 16, 8.8, NI, Torx | 12 | |
| 2 | 1218032 | (30000000- 40000000) | Cover, Skirt, 2cyl [T500] | 2 | |
| 3 | 1218573 | (30000000- 40000000) | Skirt, Side, Scrub, Cyl [T500] | 2 | |
| 4 | 1218012 | (30000000- 40000000) | Cover, Belt, 2 Cyl [T500] | 2 | |
| 5 | 1020341 | (30000000- 40000000) | Screw, Hex, M8 X 1.25 X 20, Ss, Sems | 20 | |
| | 6 | 1035173 | (30000000- 40000000) | Sheave, 06grv, 2.96pd 0.59b, Alm [Pj] | 2 |
| ▽ | 7 | 9015765 | (30000000- 40000000) | Belt Replacement Kit (Cylindrical) | 1 |
| ▲ | 8 | 1213132 | (30000000- 40000000) | Tool, Installation, Belt | 1 |
| | 9 | 1217948 | (30000000- 40000000) | Bracket, Mount, Motor, Cyl [Machined] | 2 |
| | 10 | 41360 | (30000000- 40000000) | Bearing, Ball, 0.59b 1.26d 0.35w[2seal] | 4 |
| | 11 | 1021050 | (30000000- 40000000) | Shaft, Drive, 15.0d X 65.5l [T5, 1610] | 2 |
| | 12 | 00961 | (30000000- 40000000) | Key, Sq, 0.19 X 0.19, 0.50l | 2 |
| | 13 | 00911 | (30000000- 40000000) | Key, Sq, 0.19 X 0.19, 0.75l | 2 |
| | 14 | 1002077 | (30000000- 40000000) | Tube, 0.59id 0.81od 00.5l | 2 |
| | 15 | 378805 | (30000000- 40000000) | Plug, Drive, Brush, Mach | 2 |
| | 16 | 1033528 | (30000000- 40000000) | Sheave, 06grv, 1.33pd 0.50b, Alm [Pj] | 2 |
| | 17 | 00954 | (30000000- 40000000) | Key, Sq, 0.12 X 0.12, 1.00l | 2 |
| ▽ | 18 | 1223429 | (30000000- 40000000) | Motor, Ele, 24vdc 1500rpm 0.60hp | 2 |
| ▲ | | 1031775 | (30000000- 40000000) | Brush Kit, Carbon, Motor, Replmt [T5] | 1 |
| | 19 | 1052895 | (30000000- 40000000) | Harness, Adapter, Motor [T7/T5] | 1 |

▽ ASSEMBLY

▲ INCLUDED IN ASSEMBLY

SCRUB HEAD GROUP, ORBITAL 700MM / 28IN

355425



SCRUB HEAD GROUP, ORBITAL 700MM / 28IN

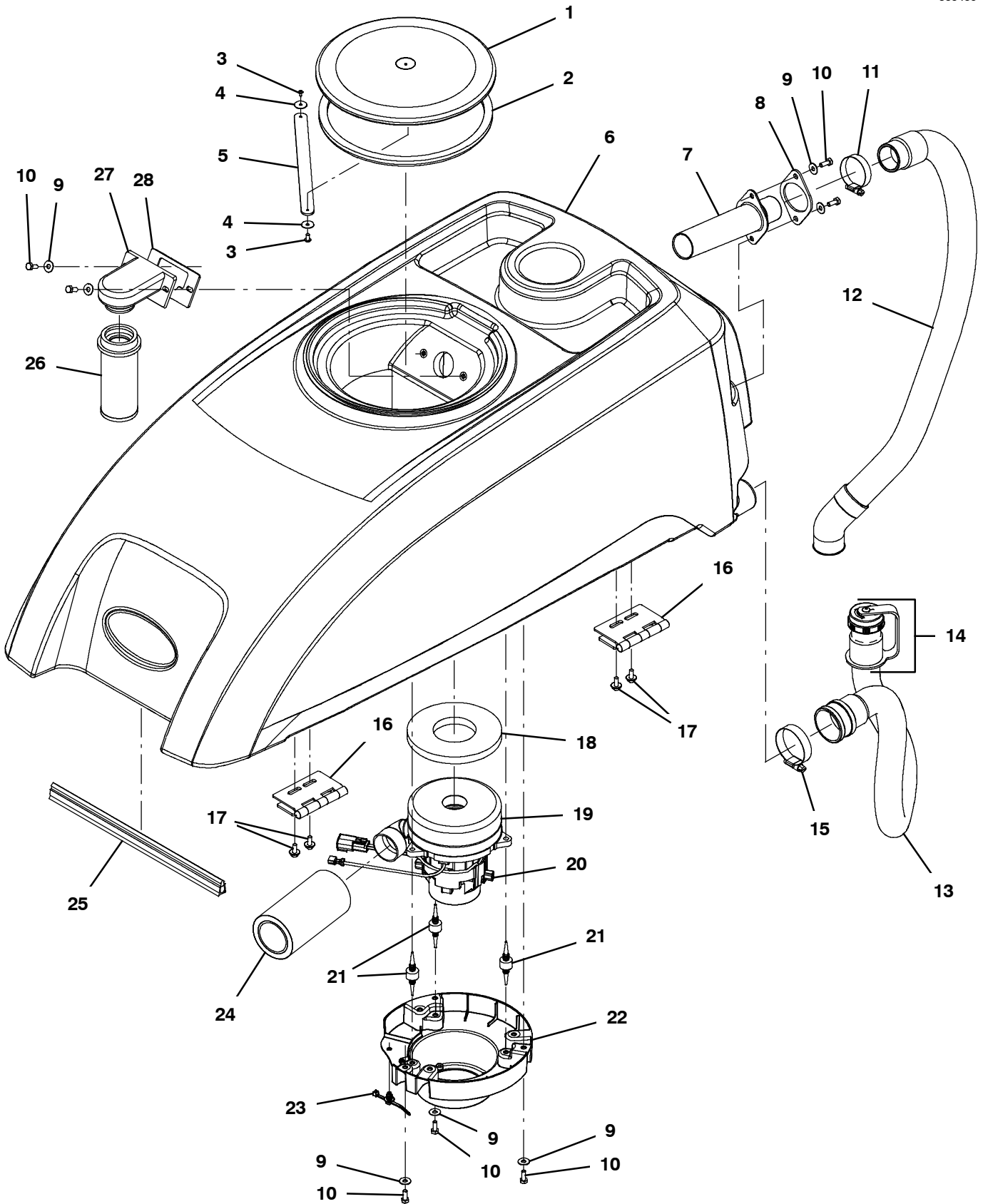
| Ref. | Part No. | Serial Number | Description | Qty. |
|------|----------|---------------|---|------|
| ▽ | 1 | 1219913 | (30000000- 40000000) Motor, Ele, 24vdc, 2200rpm, 0.75hp 28.0a | 1 |
| ▲ | 2 | 1059370 | (30000000- 40000000) Brush, Motor, Replmt [Bag Of 4] | 1 |
| ▲ | 3 | 1031681 | (30000000- 40000000) Harness, Connector, Brush- Motor [T5] Us | 1 |
| | 4 | 1231238 | (30000000- 40000000) Key, Sq, 5mm X 5mm X 22mm | 1 |
| | 5 | 1020341 | (30000000- 40000000) Screw, Hex, M8 X 1.25 X 20, Ss, Sems | 6 |
| | 6 | 1220910 | (30000000- 40000000) Bracket Wldt, Mtg, Head | 1 |
| | 7 | 1212543 | (30000000- 40000000) Isolator, Neoprene, 1.25" X 1.25", M8 | 13 |
| | 8 | 08713 | (30000000- 40000000) Nut, Hex, Lock, M8 X 1.25, NI, Ss | 1 |
| | 9 | 1074344 | (30000000- 40000000) Harness, Ele [Ring With .250m Tail] | 1 |
| | 10 | 1210807 | (30000000- 40000000) Wire, Tie [W/.25" Fir Tree Clip] | 1 |
| | 11 | 01685 | (30000000- 40000000) Washer, Flat, 0.38b 0.88d .08, Ss | 6 |
| | 12 | 1014918 | (30000000- 40000000) Wheel, 03.0d 0.88w 0.31b, W/ Bshg, Rbr | 2 |
| | 13 | 1221766 | (30000000- 40000000) Housing Wldt, Brush | 1 |
| | 14 | 1210221 | (30000000- 40000000) Washer, Wave, .515b, .875d, .013, Ss | 2 |
| | 15 | 01685 | (30000000- 40000000) Washer, Flat, 0.38b 0.88d .08, Ss | 2 |
| | 16 | 49694 | (30000000- 40000000) Screw, Hex, M8 X 1.25 X 50, Ss | 2 |
| | 17 | 1212807 | (30000000- 40000000) Fitting, Plstc, Str, Qm08/Bm08 | 1 |
| | 18 | 607776 | (30000000- 40000000) Clamp, Hose, Wir, .73 - .77, Silver | 1 |
| | 19 | 1222903 | (30000000- 40000000) Manifold, Bar, Spray [28in] | 1 |
| | 20 | 140916 | (30000000- 40000000) Clamp, Cable, Nyl, 0.62d, Nat | 5 |
| | 21 | 01683 | (30000000- 40000000) Washer, Flat, 10, Ss | 4 |
| | 22 | 09739 | (30000000- 40000000) Nut, Hex, Lock, M5 X 0.80, NI, Ss | 4 |
| | 23 | 1221850 | (30000000- 40000000) Spacer, Head | 4 |
| | 24 | 9015774 | (30000000- 40000000) Eccentric Drive Kit, Orbital | 1 |
| | 25 | 09163 | (30000000- 40000000) Screw, Flt, Soc, M6 X 1.00 X 16, 18- 8,Ss | 4 |
| | 26 | 9015416 | (30000000- 40000000) Driver Kit, Pad, Ci [T500] (Includes Driver Plate, Driver Face, & Red Buffing Pad) | 1 |
| | 27 | 1212710 | (30000000- 40000000) Screw, Flt, Soc, M6 X 1.00 X 35, 10.9,NI | 6 |
| | 28 | 74077 | (30000000- 40000000) Screw, Flt, Soc, M8 X 1.25 X 25, Ss | 4 |

▽ ASSEMBLY

▲ INCLUDED IN ASSEMBLY

RECOVERY TANK GROUP

355459



RECOVERY TANK GROUP

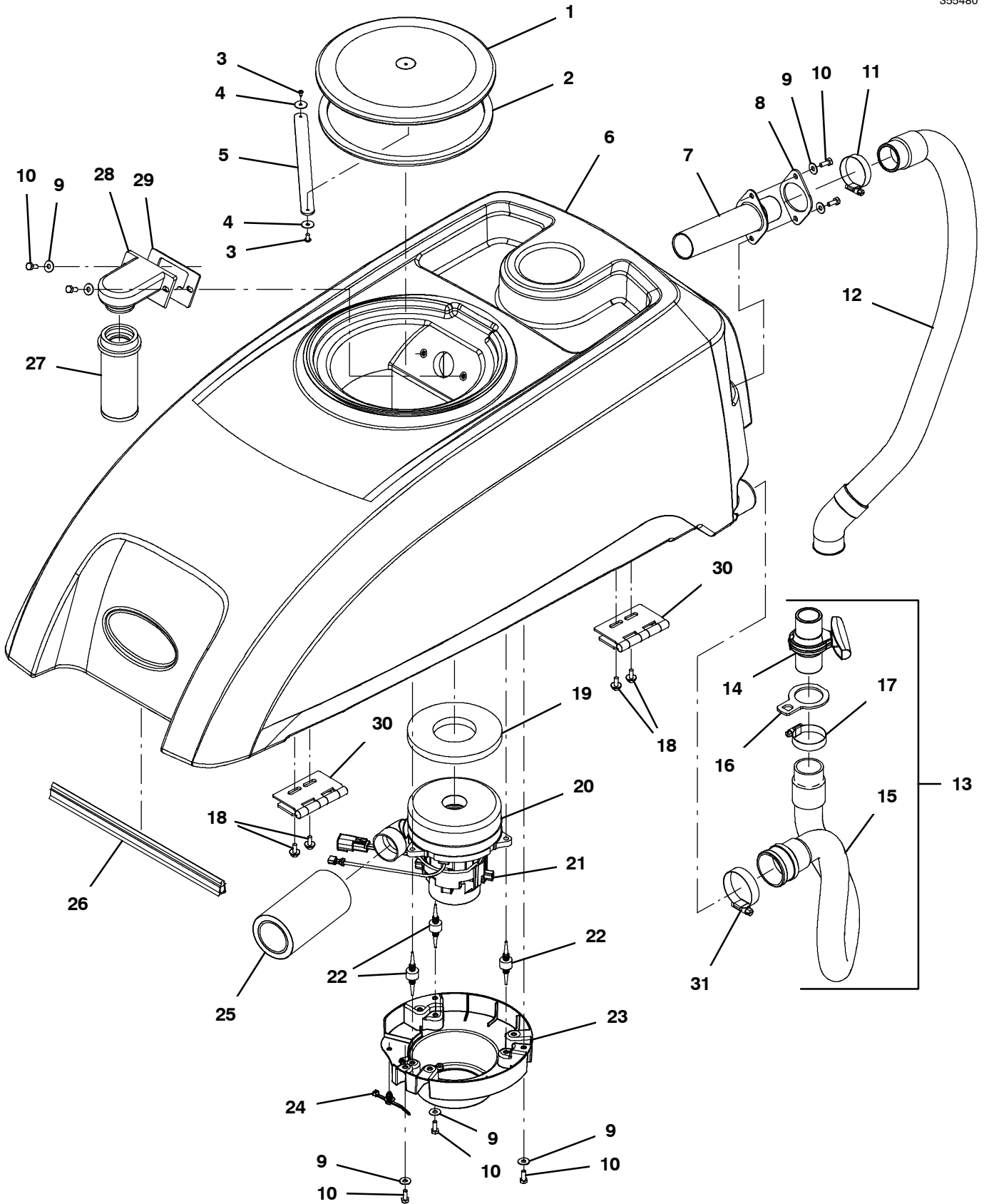
| Ref. | Part No. | Serial Number | Description | Qty. |
|------|----------|---------------|--|------|
| ▽ | 1 | 9015754 | (30000000- 40000000) Kit, Cover, Recvy, Ci [Ce,T500e] | 1 |
| ▲ | 2 | 1017959 | (30000000- 40000000) Seal, Bulb, Str, 0.50h .50w 032.0l, Adh | 1 |
| | 3 | 3701.6 | (30000000- 40000000) Screw, Pan, Phl, 06- 32 X 0.38, Shtmtl,Ss | 2 |
| | 4 | 1009168 | (30000000- 40000000) Washer, Flat, 0.17b 0.75d .04, Ss | 2 |
| | 5 | 1001005 | (30000000- 40000000) Strap, Retaining, Cover | 1 |
| | 6 | 9015761 | (30000000- 40000000) Kit, Tank, Recvy, Ci [T500e] | 1 |
| | 7 | 1021214 | (30000000- 40000000) Tube, Hose, Adapter, 1.5d [T5] | 1 |
| | 8 | 1024602 | (30000000- 40000000) Gasket, Neo, .13, 1.97id, 2/3.2bc, Adh | 1 |
| | 9 | 01684 | (30000000- 40000000) Washer, Flat, 0.27b 0.69d .05, Ss | 7 |
| | 10 | 11329 | (30000000- 40000000) Screw, Hex, M6 X 1.00 X 16, NI, Ss | 7 |
| | 11 | 11531 | (30000000- 40000000) Clamp, Hose, Wormdrive, 1.06- 2.00d, .56w | 1 |
| | 12 | 1224414 | (30000000- 40000000) Hose Assy, W/2cuff,1.5d 033l 1.5/1.5[PU] (Gray) | 1 |
| | 12 | 1211220 | (30000000- 40000000) Hose Assy,W/2cuff,1.5d 022l 1.5/1.5[Pvc] (Black) | 1 |
| ▽ | 13 | 1228242 | (30000000- 40000000) Hose Assy, Drain, 1.5d 024l 2/1.5cap[PU] (Gray) | 1 |
| ▲ | 14 | 1219134 | (30000000- 40000000) Cap, Drain Assy [Gray] | 1 |
| ▽ | 13 | 1228252 | (30000000- 40000000) Hose Assy, Drain, 1.5d 014l 2/1.5cap Pvc (Black) | 1 |
| ▲ | 14 | 1218955 | (30000000- 40000000) Cap, Drain Assy [Black] | 1 |
| | 15 | 22297 | (30000000- 40000000) Clamp, Hose, Wormdrive, 1.56- 2.50d, .50w | 1 |
| | 16 | 1217669 | (30000000- 40000000) Hinge Assy, 7.0 Pin, 11 Ga, 100l X 105w | 1 |
| | 17 | 1034731 | (30000000- 40000000) Screw, Hex, M6 X 1.00 X 16, Sems, Ss | 4 |
| | 18 | 100038 | (30000000- 40000000) Gasket, .50, 02.63id 05.75od, Adh [Epdm] | 1 |
| ▽ | 19 | 1219312 | (30000000- 40000000) Fan, Vacuum, 5.7d, 024vdc, 2 Stage | 1 |
| ▲ | 20 | 372883 | (30000000- 40000000) Vr, Brush Kit, Motor, Ele | 1 |
| | 21 | 1062016 | (30000000- 40000000) Isolator, Vib, .75d | 3 |
| | 22 | 1207368 | (30000000- 40000000) Mount, Vacfan, 5.7/6.6 | 1 |
| | 23 | 1210807 | (30000000- 40000000) Wire, Tie [W/.25" Fir Tree Clip] | 1 |
| | 24 | 1068577 | (30000000- 40000000) Muffler, Exhaust, Vacfan, 150mmI [T2/T3] | 1 |
| | 25 | 1066431 | (30000000- 40000000) Seal, Afmkt, Bulb, Dual, 03ft [F/.30gap] | 1 |
| | 26 | 630052 | (30000000- 40000000) Float, Shut- Off, (2)Ball, 1.75d | 1 |
| | 27 | 630053 | (30000000- 40000000) Mount, Cage, Float [20.0 Scrubber] | 1 |
| | 28 | 630255 | (30000000- 40000000) Gasket, Float, Mount | 1 |

▽ ASSEMBLY

▲ INCLUDED IN ASSEMBLY

RECOVERY TANK GROUP (JAPAN)

355480



RECOVERY TANK GROUP (JAPAN)

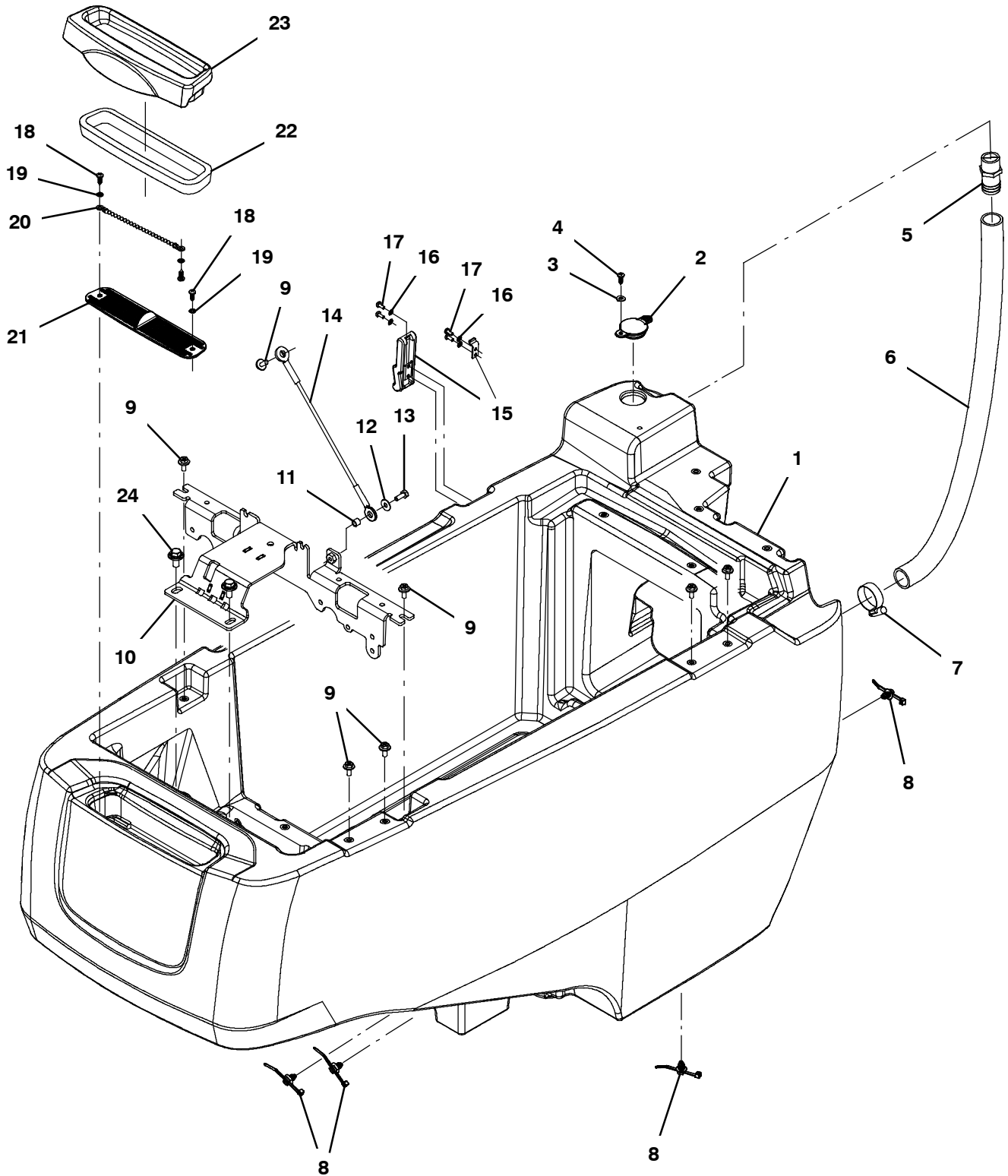
| Ref. | Part No. | Serial Number | Description | Qty. |
|------|----------|---------------|--|------|
| ▽ | 1 | 9015755 | (30000000- 40000000) Kit, Cover, Recvy, Ci [Jp,T500e] | 1 |
| ▲ | 2 | 1017959 | (30000000- 40000000) Seal, Bulb, Str, 0.50h .50w 032.0l, Adh | 1 |
| | 3 | 3701.6 | (30000000- 40000000) Screw, Pan, Phl, 06- 32 X 0.38, Shtmtl,Ss | 2 |
| | 4 | 1009168 | (30000000- 40000000) Washer, Flat, 0.17b 0.75d .04, Ss | 2 |
| | 5 | 1001005 | (30000000- 40000000) Strap, Retaining, Cover | 1 |
| | 6 | 9015761 | (30000000- 40000000) Kit, Tank, Recvy, Ci [T500e] | 1 |
| | 7 | 1021214 | (30000000- 40000000) Tube, Hose, Adapter, 1.5d [T5] | 1 |
| | 8 | 1024602 | (30000000- 40000000) Gasket, Neo, .13, 1.97id, 2/3.2bc, Adh | 1 |
| | 9 | 01684 | (30000000- 40000000) Washer, Flat, 0.27b 0.69d .05, Ss | 7 |
| | 10 | 11329 | (30000000- 40000000) Screw, Hex, M6 X 1.00 X 16, NI, Ss | 7 |
| | 11 | 11531 | (30000000- 40000000) Clamp, Hose, Wormdrive, 1.06- 2.00d, .56w | 1 |
| | 12 | 1224414 | (30000000- 40000000) Hose Assy, W/2cuff,1.5d 033l 1.5/1.5[pu] (Gray) | 1 |
| | 12 | 1211220 | (30000000- 40000000) Hose Assy,W/2cuff,1.5d 022l 1.5/1.5[Pvc] (Black) | 1 |
| ▽ | 13 | 9015727 | (30000000- 40000000) Hose Kit, Drain, Pu, W/ Valve, Ci[T500e] (Gray) | 1 |
| ▲ | 14 | 1051986 | (30000000- 40000000) Valve, Ball, 2way, 1.0id Pvc, W/Handle | 1 |
| ▲ | 15 | 1228335 | (30000000- 40000000) Hose Assy, W/2cuff,1.5d 022l 2.0/1.5[pu] (Black) | |
| ▲ | 16 | 1229567 | (30000000- 40000000) Strap, Hanger | 1 |
| | 17 | 11531 | (30000000- 40000000) Clamp, Hose, Wormdrive, 1.06- 2.00d, .56w | 1 |
| | 18 | 1034731 | (30000000- 40000000) Screw, Hex, M6 X 1.00 X 16, Sems, Ss | 4 |
| | 19 | 100038 | (30000000- 40000000) Gasket, .50, 02.63id 05.75od, Adh [Epdm] | 1 |
| ▽ | 20 | 1219312 | (30000000- 40000000) Fan, Vacuum, 5.7d, 024vdc, 2 Stage | 1 |
| ▲ | 21 | 372883 | (30000000- 40000000) Vr, Brush Kit, Motor, Ele | 1 |
| | 22 | 1062016 | (30000000- 40000000) Isolator, Vib, .75d | 3 |
| | 23 | 1207368 | (30000000- 40000000) Mount, Vacfan, 5.7/6.6 | 1 |
| | 24 | 1210807 | (30000000- 40000000) Wire, Tie [W/.25" Fir Tree Clip] | 1 |
| | 25 | 1068577 | (30000000- 40000000) Muffler, Exhaust, Vacfan, 150mm [T2/T3] | 1 |
| | 26 | 1066431 | (30000000- 40000000) Seal, Afrmkt, Bulb, Dual, 03ft [F/.30gap] | 1 |
| | 27 | 630052 | (30000000- 40000000) Float, Shut- Off, (2)Ball, 1.75d | 1 |
| | 28 | 630053 | (30000000- 40000000) Mount, Cage, Float [20.0 Scrubber] | 1 |
| | 29 | 630255 | (30000000- 40000000) Gasket, Float, Mount | 1 |
| | 30 | 1217669 | (30000000- 40000000) Hinge Assy, 7.0 Pin, 11 Ga, 100l X 105w | 1 |
| | 31 | 22297 | (30000000- 40000000) Clamp, Hose, Wormdrive, 1.56- 2.50d, .50w | 1 |

▽ ASSEMBLY

▲ INCLUDED IN ASSEMBLY

SOLUTION TANK GROUP

355458

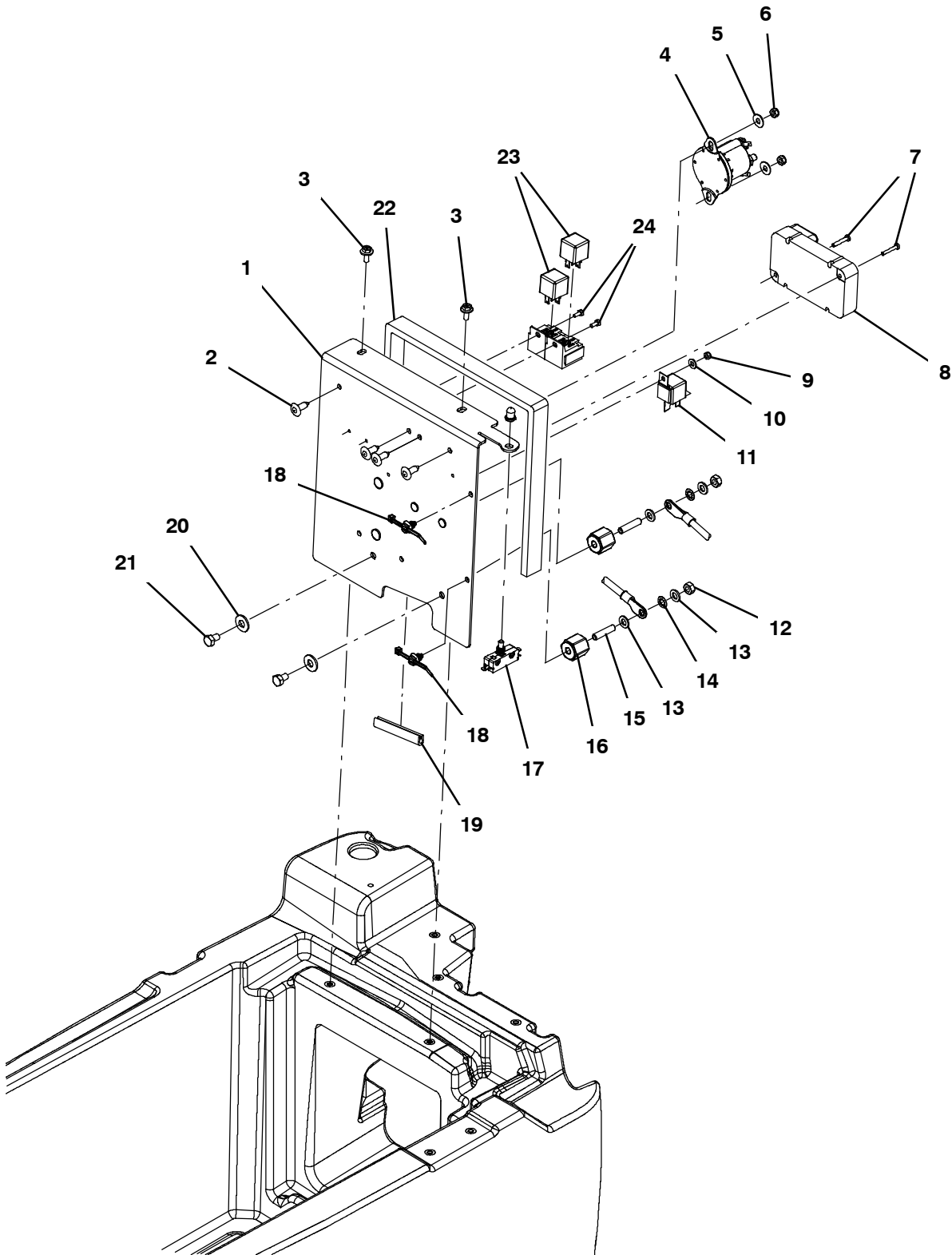


SOLUTION TANK GROUP

| Ref. | Part No. | Serial Number | Description | Qty. |
|------|----------|-----------------------|--|------|
| 1 | 1223932 | (30000000- 40000000) | Tank, Solution, Trimmed [T500e] | 1 |
| 2 | 1012965 | (30000000- 40000000) | Cap, Port, Soltn Fill | 1 |
| 3 | 01683 | (30000000- 40000000) | Washer, Flat, 10, Ss | 1 |
| 4 | 1018155 | (30000000- 40000000) | Screw, Pan, Phl, M5 X 0.80 X 16, Tcut,Ss | 1 |
| 5 | 1041082 | (30000000- 40000000) | Fitting, Plstc, Str, Bm16/Pm12 | 1 |
| 6 | 9015728 | (30000000- 40000000) | Hose Kit, Drain, Soln, Ci [T500/T500e] | 1 |
| 7 | 11399 | (30000000- 40000000) | Clamp, Hose, Wormdrive, 0.81- 1.50d, .50w | 1 |
| 8 | 1210807 | (30000000- 40000000) | Wire, Tie [W/.25" Fir Tree Clip] | 4 |
| 9 | 1034731 | (30000000- 40000000) | Screw, Hex, M6 X 1.00 X 16, Sems, Ss | 7 |
| 10 | 1221012 | (30000000- 40000000) | Bracket Wldt, Actuator | 1 |
| 11 | 140154 | (30000000- 40000000) | Sleeve, P/M, 0.25b 0.38d 0.3l, PI | 1 |
| 12 | 01684 | (30000000- 40000000) | Washer, Flat, 0.27b 0.69d .05, Ss | 1 |
| 13 | 11329 | (30000000- 40000000) | Screw, Hex, M6 X 1.00 X 16, NI, Ss | 1 |
| 14 | 1221803 | (30000000- 40000000) | Cable, Glv .13d 10.5l .38eye /.38eye | 1 |
| 15 | 1207285 | (30000000- 40000000) | Latch, Draw, Rbr, W/ Keeper, Yellow | 1 |
| 16 | 02938 | (30000000- 40000000) | Washer, Lock, Int, 08, Ss | 4 |
| 17 | 49697 | (30000000- 40000000) | Screw, Pan, Phl, M4 X 0.70 X 10, Ss | 4 |
| 18 | 1018155 | (30000000- 40000000) | Screw, Pan, Phl, M5 X 0.80 X 16, Tcut,Ss | 3 |
| 19 | 07514 | (30000000- 40000000) | Washer, Lock, Int, 10, Ss | 3 |
| 20 | 621443 | (30000000- 40000000) | Chain, Ball, 10, 0157mml, Ss | 1 |
| 21 | 1219917 | (30000000- 40000000) | Screen, Fltr, 2.0 X 8.7 | 1 |
| 22 | 9015758 | (30000000- 40000000) | Seal, Tank, Soltn, Ci [T500/T500e] | 1 |
| 23 | 9015788 | (30000000- 40000000) | Kit, Cover, Fill [T500/T500e Ce] | 1 |
| 23 | 9015789 | (30000000- 40000000) | Kit, Cover, Fill [T500/T500e Ce][Ech2o] | 1 |
| 23 | 1218043 | (30000000- 40000000) | Cover, Fill, Front (Japan Non ec- H2O Models) | 1 |
| 23 | 9015759 | (30000000- 40000000) | Kit, Cover, Fill [T500/T500e] (Japan ec- H2O Models) | 1 |
| 24 | 1020341 | (30000000- 40000000) | Screw, Hex, M8 X 1.25 X 20, Ss, Sems | 2 |

STANDARD ELECTRICAL GROUP

355465

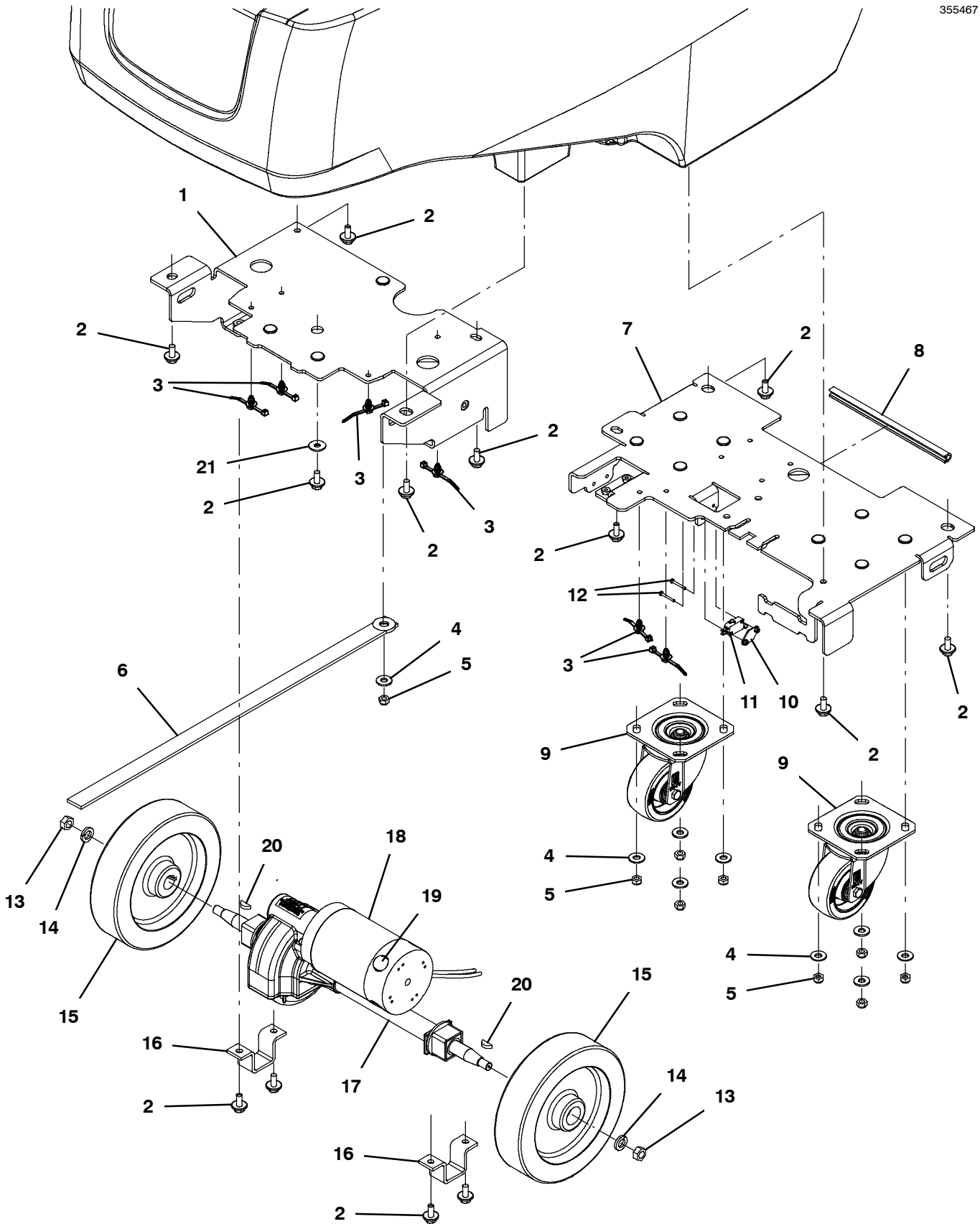


STANDARD ELECTRICAL GROUP

| Ref. | Part No. | Serial Number | Description | Qty. |
|------|----------|-----------------------|---|------|
| 1 | 1224001 | (30000000- 40000000) | Bracket Wldt, Mtg, Ele [T500e] | 1 |
| 2 | 140262 | (30000000- 40000000) | Clip, Snap- In | 4 |
| 3 | 1034731 | (30000000- 40000000) | Screw, Hex, M6 X 1.00 X 16, Sems, Ss | 2 |
| 4 | 1066409 | (30000000- 40000000) | Relay, 24vdc, 150a, No [Trombetta] | 1 |
| 5 | 01684 | (30000000- 40000000) | Washer, Flat, 0.27b 0.69d .05, Ss | 2 |
| 6 | 08712 | (30000000- 40000000) | Nut, Hex, Lock, M6 X 1.00, NI, Ss | 2 |
| 7 | 1073600 | (30000000- 40000000) | Screw, Pan, M4 X 0.7 X 25, Fmg | 2 |
| 8 | 9015776 | (30000000- 40000000) | Drive Module Kit, Ci | 1 |
| 9 | 09739 | (30000000- 40000000) | Nut, Hex, Lock, M5 X 0.80, NI, Ss | 1 |
| 10 | 01683 | (30000000- 40000000) | Washer, Flat, 10, Ss | 1 |
| 11 | 1228510 | (30000000- 40000000) | Relay, 24vdc, 80a, Spst No, Plug- In | 1 |
| 12 | 41361 | (30000000- 40000000) | Nut, Hex, Std, M8 X 1.25, Brs | 1 |
| 13 | 1209373 | (30000000- 40000000) | Washer, Flat, M8.4b X 16d X 1.6, Brs | 2 |
| 14 | 43952 | (30000000- 40000000) | Washer, Lock, Int, 0.31, Ss | 4 |
| 15 | 607461 | (30000000- 40000000) | Screw, Set, M8 X 1.25 X 35, NI | 2 |
| 16 | 1205345 | (30000000- 40000000) | Stand- Off, Wir, M8, Insulator, Panel | 2 |
| 17 | 1071996 | (30000000- 40000000) | Switch, Push, Snap Action, 25a | 1 |
| 18 | 1210807 | (30000000- 40000000) | Wire, Tie [W/.25" Fir Tree Clip] | 2 |
| 19 | 1020174 | (30000000- 40000000) | Molding, Afrmkt, Trim, Pvc, .08 .11, 03ft | 1 |
| 20 | 01685 | (30000000- 40000000) | Washer, Flat, 0.38b 0.88d .08, Ss | 2 |
| 21 | 386868 | (30000000- 40000000) | Screw, Hex, M8 X 1.25 X 12, Ss | 2 |
| 22 | 1219045 | (30000000- 40000000) | Gasket, Cover, Circuitboard | 1 |
| 23 | 49309 | (30000000- 40000000) | Relay, 24vdc, 015a, Spdt No | 2 |
| 24 | 16944 | (30000000- 40000000) | Screw, Hex, M4 X 0.70 X 10, Fmg | 2 |

FRAME AND DRIVE GROUP

355467



FRAME AND DRIVE GROUP

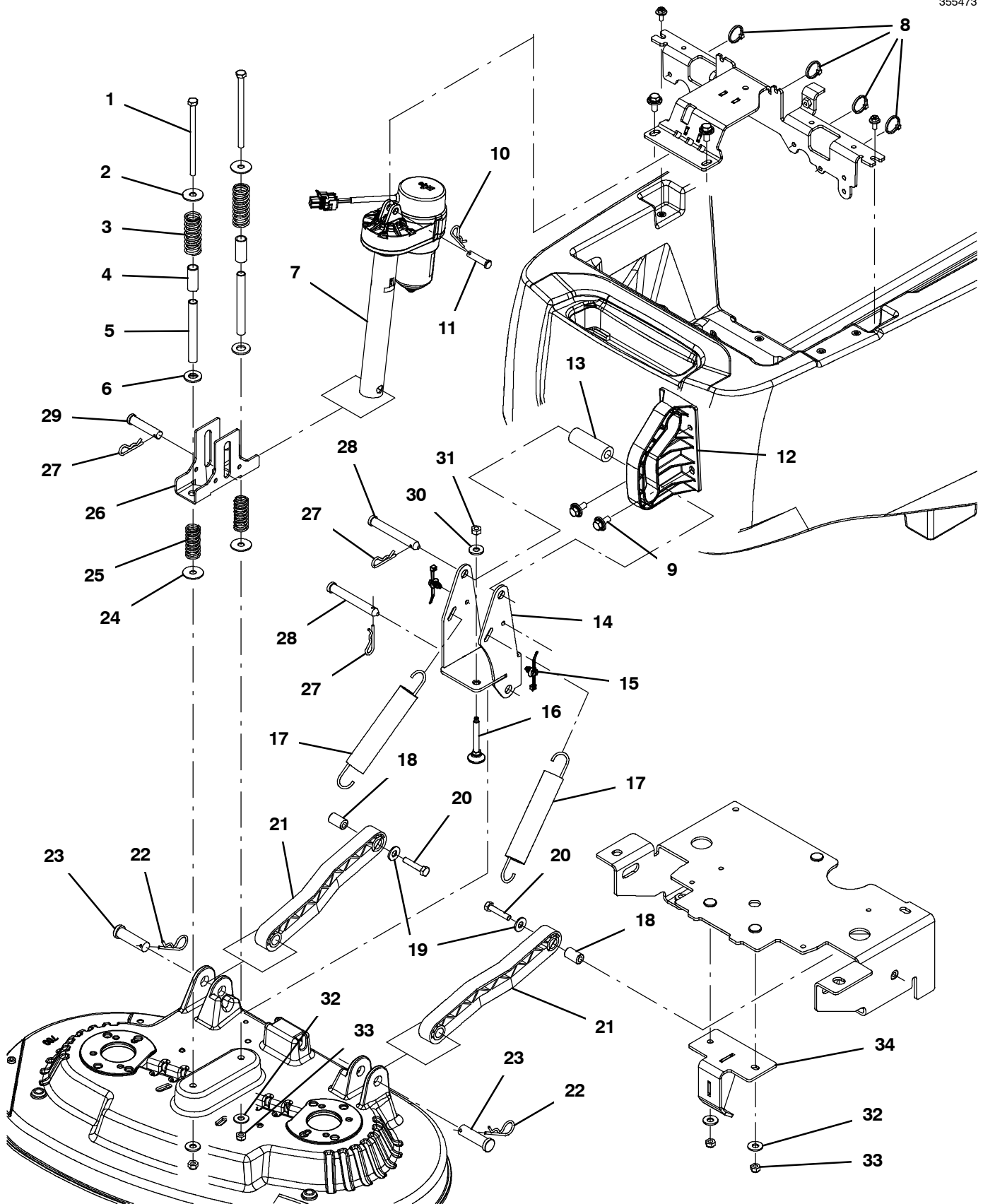
| Ref. | Part No. | Serial Number | Description | Qty. |
|------|------------|-----------------------|---|------|
| 1 | 1219118 | (30000000- 40000000) | Frame Wldt, Front [T500] | 1 |
| 2 | 1020341 | (30000000- 40000000) | Screw, Hex, M8 X 1.25 X 20, Ss, Sems | 13 |
| 3 | 1210807 | (30000000- 40000000) | Wire, Tie [W/.25" Fir Tree Clip] | 6 |
| 4 | 01685 | (30000000- 40000000) | Washer, Flat, 0.38b 0.88d .08, Ss | 9 |
| 5 | 08713 | (30000000- 40000000) | Nut, Hex, Lock, M8 X 1.25, NI, Ss | 9 |
| 6 | 71579 | (30000000- 40000000) | Strap, Static, W/Grommet, .19 1.1w 25.0l | 1 |
| 7 | 1219137 | (30000000- 40000000) | Frame Wldt, Rear [T500] | 1 |
| 8 | 1020168 | (30000000- 40000000) | Molding, Afrmkt, Trim, Pvc, .08 .11, 01ft | 1 |
| 9 | 1212422 | (30000000- 40000000) | Caster, Swivel [Wicke 224051] | 2 |
| 10 | 1013705 | (30000000- 40000000) | Plate, Thread, Switch, M3 Nut, 96hr PI | 1 |
| 11 | 1215716 | (30000000- 40000000) | Switch, 0.1a, Spdt[Micro, Gold Contacts] | 1 |
| 12 | 33933 | (30000000- 40000000) | Screw, Pan, Phl, M3 X 0.50 X 25, Ss | 2 |
| 13 | 07788 | (30000000- 40000000) | Nut, Hex, Std, M12 X 1.75, Ss | 2 |
| 14 | 140027 | (30000000- 40000000) | Washer, Flat, 0.35b 0.75d .04, Ss | 2 |
| ▽ | 9004909 | (30000000- 40000000) | Wheel Kit, Solid, Ci [T5 T5e Ss5] | 1 |
| ▲ | 15 1223583 | (30000000- 40000000) | Wheel, Scrbr, 213mm, W/ Taper | 2 |
| | 16 606001 | (30000000- 40000000) | Bracket, Mtg, Transaxle, PI [1510, T5] | 2 |
| ▽ | 17 1220970 | (30000000- 40000000) | Transaxle, Ele, 24vdc, 107rpm [Asi, 4] | 1 |
| ▲ | 612874 | (30000000- 40000000) | Coupling, Transaxle, Replmt | 1 |
| ▲ | 612880 | (30000000- 40000000) | Joint, Transaxle, Replmt | 1 |
| ▲▽ | 18 1031723 | (30000000- 40000000) | Motor, Transaxle, 24vdc, Afrmkt [T5] | 1 |
| ▲▲ | 19 614166 | (30000000- 40000000) | Brush Kit, Carbon, Transaxle, Replmt [4] | 1 |
| ▲ | 20 1021167 | (30000000- 40000000) | Key, Woodruff, 5mm | 2 |
| | 21 39890 | (30000000- 40000000) | Washer, Flat, M8, Fendr | 1 |

▽ ASSEMBLY

▲ INCLUDED IN ASSEMBLY

HEAD LIFT GROUP, DISK

355473

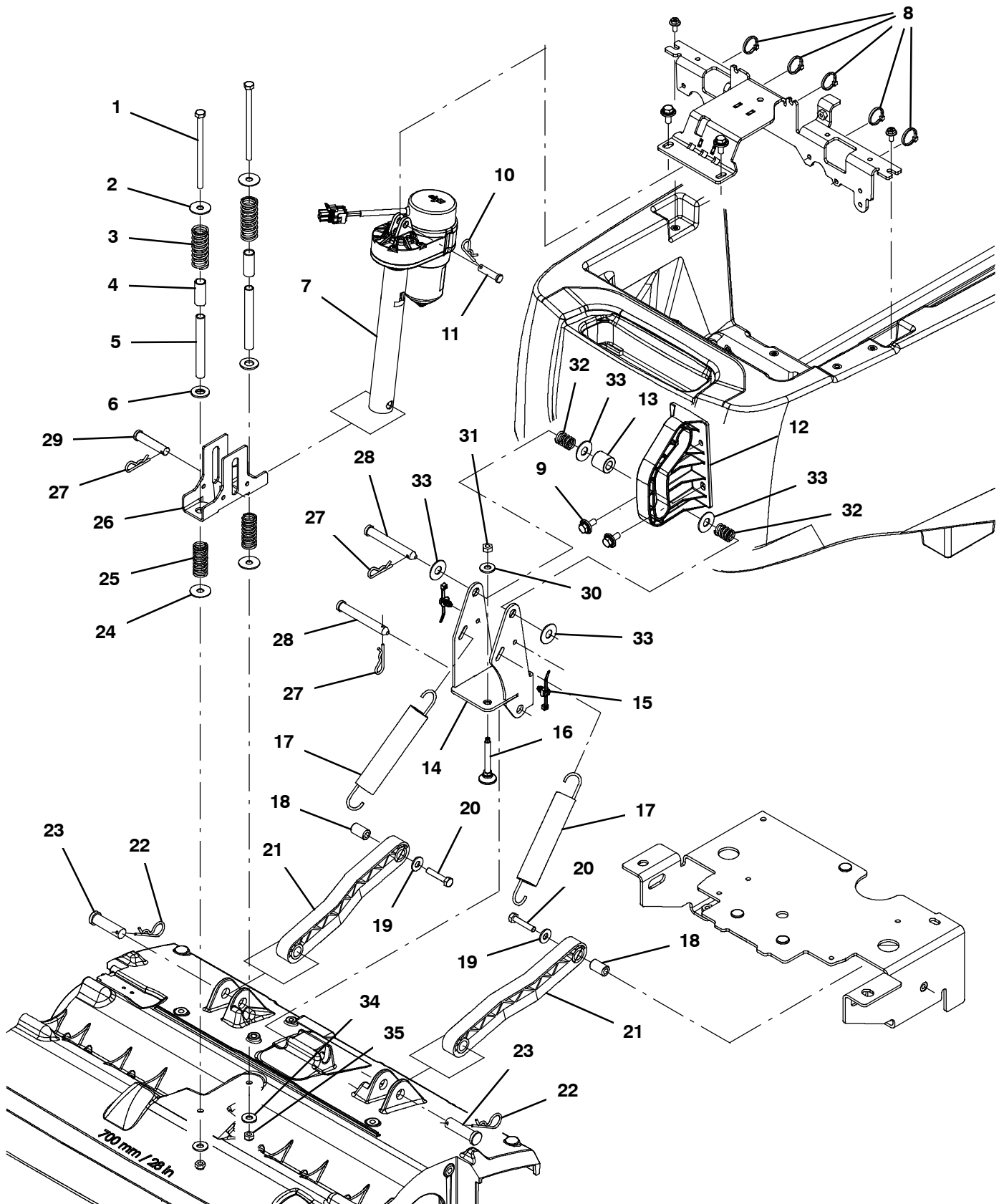


HEAD LIFT GROUP, DISK

| Ref. | Part No. | Serial Number | Description | Qty. |
|------|----------|-----------------------|---|------|
| 1 | 387431 | (30000000- 40000000) | Screw, Hex, M8 X 1.25 X 130, Ss | 2 |
| 2 | 32662 | (30000000- 40000000) | Washer, Flat, 0.38b 1.22d .06, Ss | 2 |
| 3 | 45261 | (30000000- 40000000) | Spring, Cmpr, 0.97od .11wir 02.5l | 2 |
| 4 | 1224334 | (30000000- 40000000) | Sleeve, P/M, 0.51b 0.63d 1.5l, Pl | 2 |
| 5 | 1219491 | (30000000- 40000000) | Sleeve, 0.40id .50d 4.25l, Ss | 2 |
| 6 | 32486 | (30000000- 40000000) | Washer, Flat, 0.53b 1.06d .10, Stl, Pl | 2 |
| 7 | 1225246 | (30000000- 40000000) | Actuator, 24vdc, 05.5strk, 0600lb[Base] | 1 |
| 8 | 49263 | (30000000- 40000000) | Tie, Cable, Nyl, 11.4l .19w 3.0 Max D | 5 |
| 9 | 1020341 | (30000000- 40000000) | Screw, Hex, M8 X 1.25 X 20, Ss, Sems | 4 |
| 10 | 140626 | (30000000- 40000000) | Pin, Cotter, Hair, 0.25d .125 Wir | 1 |
| 11 | 29558 | (30000000- 40000000) | Pin, Clevis, 0.37d X 1.50l | 1 |
| 12 | 1219912 | (30000000- 40000000) | Bracket, Guide, Head[T500] | 1 |
| 13 | 1220305 | (30000000- 40000000) | Tube, Plstc, 0.51id 0.98od 02.8l | 1 |
| 14 | 1221507 | (30000000- 40000000) | Pivot Wldt, Head, Scrub [T500] | 1 |
| 15 | 1210807 | (30000000- 40000000) | Wire, Tie [W/.25" Fir Tree Clip] | 2 |
| 16 | 1227530 | (30000000- 40000000) | Screw, Leveler, M8x75 | 1 |
| 17 | 222363 | (30000000- 40000000) | Spring, Extn, 1.23od 0.15wir 06.5l | 2 |
| 18 | 606056 | (30000000- 40000000) | Tube, 0.32id 0.62od 01.0l, Stl, Pl | 2 |
| 19 | 01685 | (30000000- 40000000) | Washer, Flat, 0.38b 0.88d .08, Ss | 2 |
| 20 | 74440 | (30000000- 40000000) | Screw, Hex, M8 X 1.25 X 40, NI, Ss | 2 |
| 21 | 222027 | (30000000- 40000000) | Arm, Lift, Head | 2 |
| 22 | 02942 | (30000000- 40000000) | Pin, Hair, Cotter, 0.62d .120 Wir | 2 |
| 23 | 222210 | (30000000- 40000000) | Pin, Clevis, 0.62d X 2.12l | 2 |
| 24 | 32662 | (30000000- 40000000) | Washer, Flat, 0.38b 1.22d .06, Ss | 2 |
| 25 | 63185 | (30000000- 40000000) | Spring, Cmpr, 0.85od .09wir 02.0l | 2 |
| 26 | 1224191 | (30000000- 40000000) | Bracket, Spring, Suspension, Head | 1 |
| 27 | 140626 | (30000000- 40000000) | Pin, Cotter, Hair, 0.25d .125 Wir | 3 |
| 28 | 374225 | (30000000- 40000000) | Pin, Clevis, 0.50d X 3.75l | 2 |
| 29 | 11211 | (30000000- 40000000) | Pin, Clevis, 0.50d X 2.25l | 1 |
| 30 | 01685 | (30000000- 40000000) | Washer, Flat, 0.38b 0.88d .08, Ss | 1 |
| 31 | 07786 | (30000000- 40000000) | Nut, Hex, Std, M8 X 1.25, Ss | 1 |
| 32 | 01685 | (30000000- 40000000) | Washer, Flat, 0.38b 0.88d .08, Ss | 4 |
| 33 | 08713 | (30000000- 40000000) | Nut, Hex, Lock, M8 X 1.25, NI, Ss | 4 |
| 34 | 1222374 | (30000000- 40000000) | Frame Wldt, Hardstop [T500] | 1 |

HEAD LIFT GROUP, CYLINDRICAL

355493

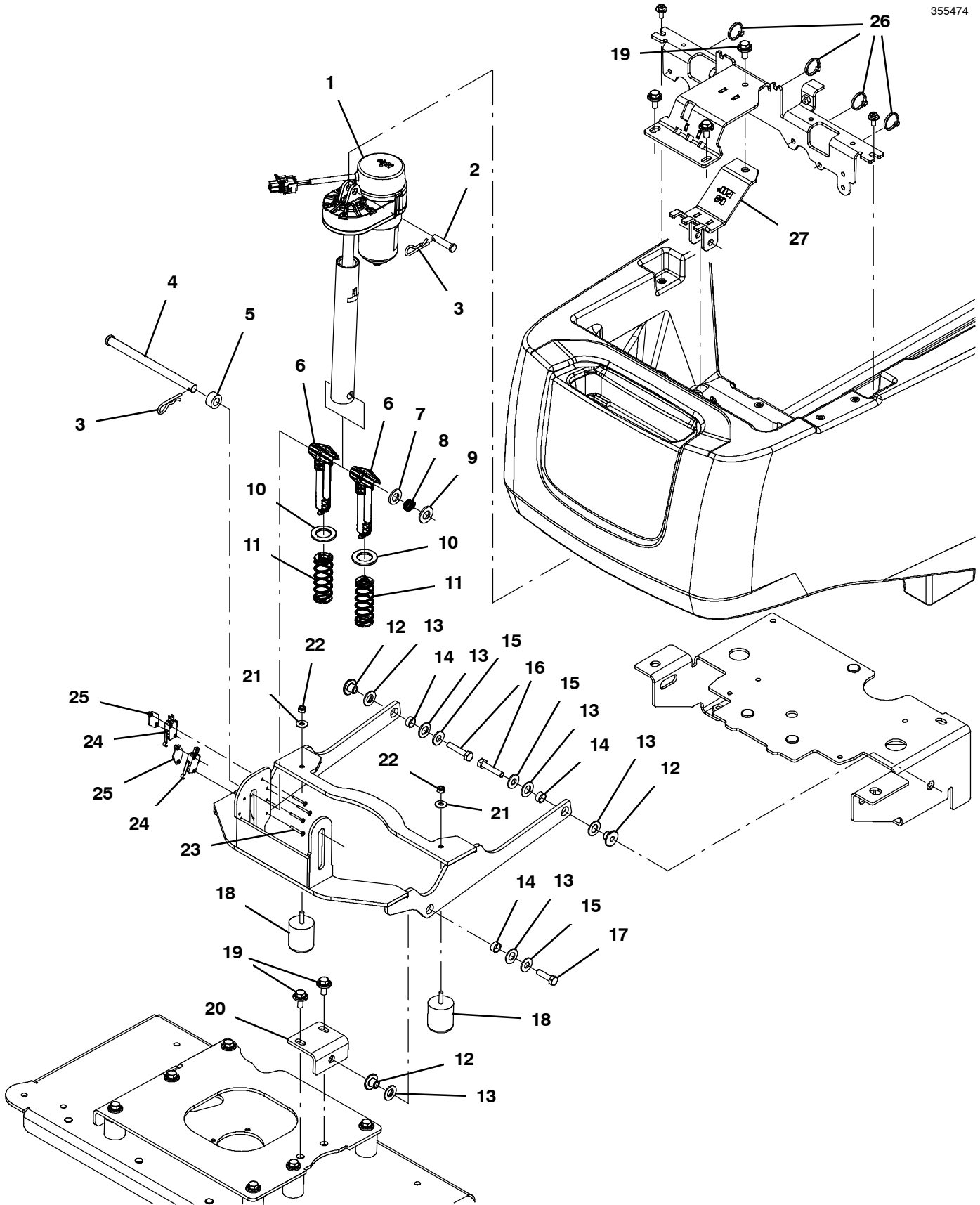


HEAD LIFT GROUP, CYLINDRICAL

| Ref. | Part No. | Serial Number | Description | Qty. |
|------|----------|-----------------------|---|------|
| 1 | 387431 | (30000000- 40000000) | Screw, Hex, M8 X 1.25 X 130, Ss | 2 |
| 2 | 32662 | (30000000- 40000000) | Washer, Flat, 0.38b 1.22d .06, Ss | 2 |
| 3 | 45261 | (30000000- 40000000) | Spring, Cmpr, 0.97od .11wir 02.5l | 2 |
| 4 | 1224334 | (30000000- 40000000) | Sleeve, P/M, 0.51b 0.63d 1.5l, PI | 2 |
| 5 | 1219491 | (30000000- 40000000) | Sleeve, 0.40id .50d 4.25l, Ss | 2 |
| 6 | 32486 | (30000000- 40000000) | Washer, Flat, 0.53b 1.06d .10, Stl, PI | 2 |
| 7 | 1225246 | (30000000- 40000000) | Actuator, 24vdc, 05.5strk, 0600lb[Base] | 1 |
| 8 | 49263 | (30000000- 40000000) | Tie, Cable, Nyl, 11.4l .19w 3.0 Max D | 5 |
| 9 | 1020341 | (30000000- 40000000) | Screw, Hex, M8 X 1.25 X 20, Ss, Sems | 4 |
| 10 | 140626 | (30000000- 40000000) | Pin, Cotter, Hair, 0.25d .125 Wir | 1 |
| 11 | 29558 | (30000000- 40000000) | Pin, Clevis, 0.37d X 1.50l | 1 |
| 12 | 1219912 | (30000000- 40000000) | Bracket, Guide, Head[T500] | 1 |
| 13 | 1014020 | (30000000- 40000000) | Roller, 0.99d 0.50b 0.95l, Acetal | 1 |
| 14 | 1221507 | (30000000- 40000000) | Pivot Wldt, Head, Scrub [T500] | 1 |
| 15 | 1210807 | (30000000- 40000000) | Wire, Tie [W/.25" Fir Tree Clip] | 2 |
| 16 | 1227530 | (30000000- 40000000) | Screw, Leveler, M8x75 | 1 |
| 17 | 222363 | (30000000- 40000000) | Spring, Extn, 1.23od 0.15wir 06.5l | 2 |
| 18 | 606056 | (30000000- 40000000) | Tube, 0.32id 0.62od 01.0l, Stl, PI | 2 |
| 19 | 01685 | (30000000- 40000000) | Washer, Flat, 0.38b 0.88d .08, Ss | 2 |
| 20 | 74440 | (30000000- 40000000) | Screw, Hex, M8 X 1.25 X 40, NI, Ss | 2 |
| 21 | 222027 | (30000000- 40000000) | Arm, Lift, Head | 2 |
| 22 | 02942 | (30000000- 40000000) | Pin, Hair, Cotter, 0.62d .120 Wir | 2 |
| 23 | 222210 | (30000000- 40000000) | Pin, Clevis, 0.62d X 2.12l | 2 |
| 24 | 32662 | (30000000- 40000000) | Washer, Flat, 0.38b 1.22d .06, Ss | 2 |
| 25 | 63185 | (30000000- 40000000) | Spring, Cmpr, 0.85od .09wir 02.0l | 2 |
| 26 | 1224191 | (30000000- 40000000) | Bracket, Spring, Suspension, Head | 1 |
| 27 | 140626 | (30000000- 40000000) | Pin, Cotter, Hair, 0.25d .125 Wir | 3 |
| 28 | 374225 | (30000000- 40000000) | Pin, Clevis, 0.50d X 3.75l | 2 |
| 29 | 11211 | (30000000- 40000000) | Pin, Clevis, 0.50d X 2.25l | 1 |
| 30 | 01685 | (30000000- 40000000) | Washer, Flat, 0.38b 0.88d .08, Ss | 1 |
| 31 | 07786 | (30000000- 40000000) | Nut, Hex, Std, M8 X 1.25, Ss | 1 |
| 32 | 607920 | (30000000- 40000000) | Spring, Cmpr, 0.70od .10wir 01.0l, Mw | 2 |
| 33 | 140045 | (30000000- 40000000) | Washer, Flat, 0.51b 1.25d .06, Ss | 4 |
| 34 | 01685 | (30000000- 40000000) | Washer, Flat, 0.38b 0.88d .08, Ss | 2 |
| 35 | 08713 | (30000000- 40000000) | Nut, Hex, Lock, M8 X 1.25, NI, Ss | 2 |

HEAD LIFT GROUP, ORBITAL

355474



HEAD LIFT GROUP, ORBITAL

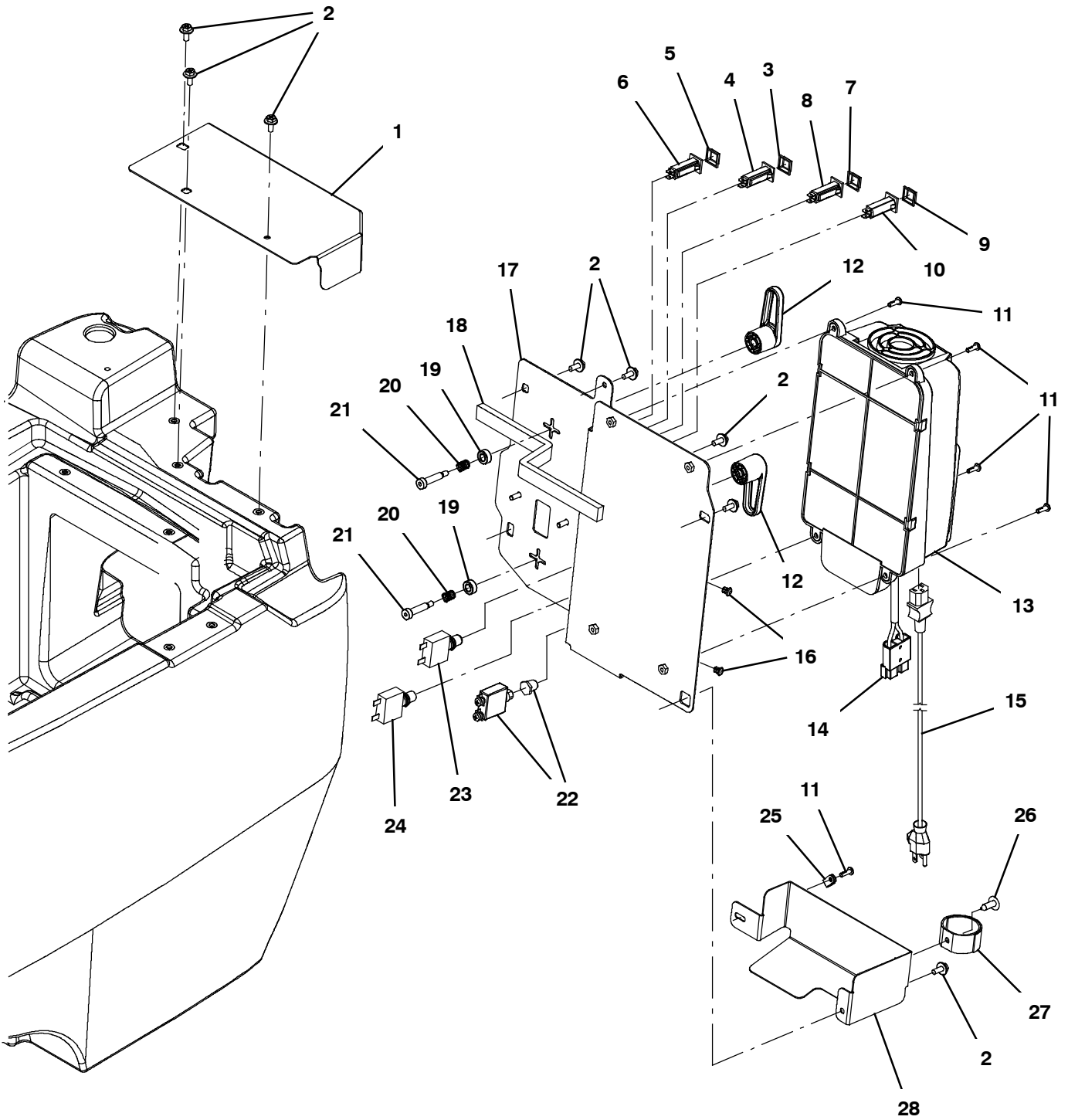
| Ref. | Part No. | Serial Number | Description | Qty. |
|------|----------|---------------|--|------|
| ▽ | 1 | 1225246 | (30000000- 40000000) Actuator, 24vdc, 05.5strk, 0600lb[Base] | 1 |
| ▲ | 2 | 29558 | (30000000- 40000000) Pin, Clevis, 0.37d X 1.50l | 1 |
| ▲▽ | 3 | 140626 | (30000000- 40000000) Pin, Cotter, Hair, 0.25d .125 Wir | 1 |
| ▲▲ | 4 | 1226754 | (30000000- 40000000) Pin, Clevis, .50d X 7.00l | 1 |
| | 5 | 1226759 | (30000000- 40000000) Spacer, .500 Id X .875 Od | 1 |
| | 6 | 1224233 | (30000000- 40000000) Pin, Guide, Spring, Head | 2 |
| | 7 | 1013936 | (30000000- 40000000) Washer, Flat, 0.51b 0.94d .10, Nyl | 1 |
| | 8 | 1226640 | (30000000- 40000000) Spring, Wave, .512 Id X .709 Od X .375 | 1 |
| | 9 | 32486 | (30000000- 40000000) Washer, Flat, 0.53b 1.06d .10, Stl, Pl | 1 |
| | 10 | 1225960 | (30000000- 40000000) Washer, Thrust, 0.89b 1.50d 0.13w, Bnz | 2 |
| | 11 | 1227036 | (30000000- 40000000) Spring, Cmpr, 1.10od .085wir 03.0l | 2 |
| | 12 | 1059990 | (30000000- 40000000) Sleeve, Flng, 0.32b 1.00/0.50d 0.6l, Ss | 3 |
| | 13 | 608562 | (30000000- 40000000) Washer, Flat, 0.51b 0.94d .06, Nyl | 6 |
| | 14 | 630188 | (30000000- 40000000) Bearing, Journal, .50id X .25l | 3 |
| | 15 | 01685 | (30000000- 40000000) Washer, Flat, 0.38b 0.88d .08, Ss | 3 |
| | 16 | 74440 | (30000000- 40000000) Screw, Hex, M8 X 1.25 X 40, NI, Ss | 2 |
| | 17 | 1016399 | (30000000- 40000000) Screw, Hex, M8 X 1.25 X 30, NI, Ss | 1 |
| | 18 | 1212543 | (30000000- 40000000) Isolator, Neoprene, 1.25" X 1.25", M8 | 2 |
| | 19 | 1020341 | (30000000- 40000000) Screw, Hex, M8 X 1.25 X 20, Ss, Sems | 3 |
| | 20 | 1224295 | (30000000- 40000000) Brkt Wldt, Lift | 1 |
| | 21 | 01685 | (30000000- 40000000) Washer, Flat, 0.38b 0.88d .08, Ss | 2 |
| | 22 | 08713 | (30000000- 40000000) Nut, Hex, Lock, M8 X 1.25, NI, Ss | 2 |
| | 23 | 33933 | (30000000- 40000000) Screw, Pan, Phl, M3 X 0.50 X 25, Ss | 6 |
| | 24 | 1215716 | (30000000- 40000000) Switch, 0.1a, Spdt[Micro, Gold Contacts] | 2 |
| | 25 | 1013705 | (30000000- 40000000) Plate, Thread, Switch, M3 Nut, 96hr Pl | 2 |
| | 26 | 49263 | (30000000- 40000000) Tie, Cable, Nyl, 11.4l .19w 3.0 Max D | 5 |
| | 27 | 1225990 | (30000000- 40000000) Bracket Wldt, Mount, Actuator[T500e] | 1 |

▽ ASSEMBLY

▲ INCLUDED IN ASSEMBLY

LOWER CONSOLE GROUP, ON-BOARD CHARGER

355462



LOWER CONSOLE GROUP, ON-BOARD CHARGER

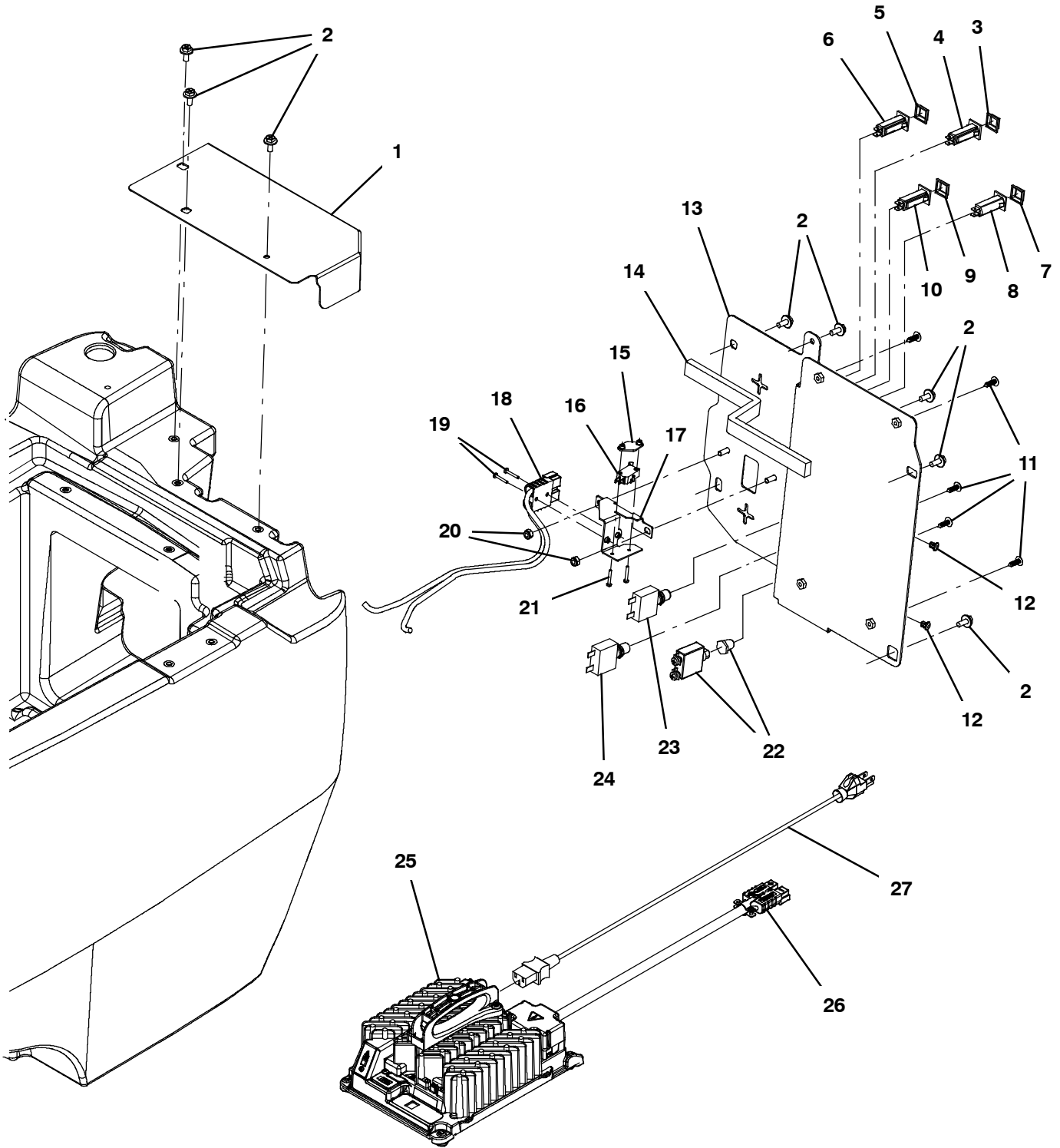
| Ref. | Part No. | Serial Number | Description | Qty. | |
|------|----------|-----------------------|---|--|---|
| 1 | 1225401 | (30000000- 40000000) | Bracket, Cover, Charger | 1 | |
| 2 | 1034731 | (30000000- 40000000) | Screw, Hex, M6 X 1.00 X 16, Sems, Ss | 8 | |
| 3 | 1064191 | (30000000- 40000000) | Boot, Circuitbreaker | 1 | |
| 4 | 1064187 | (30000000- 40000000) | Circuitbreaker, 10.0a, Resetable (ec- H2O / ABW Option) | 1 | |
| 5 | 1064191 | (30000000- 40000000) | Boot, Circuitbreaker | 1 | |
| 6 | 1208816 | (30000000- 40000000) | Circuitbreaker, 04.0a, Resetable (Key Switch) | 1 | |
| 7 | 1064191 | (30000000- 40000000) | Boot, Circuitbreaker | 1 | |
| 8 | 1064187 | (30000000- 40000000) | Circuitbreaker, 10.0a, Resetable (Actuator) | 1 | |
| 9 | 1064191 | (30000000- 40000000) | Boot, Circuitbreaker | 1 | |
| 10 | 1064189 | (30000000- 40000000) | Circuitbreaker, 20.0a, Resetable (Vacuum Fan) | 1 | |
| 11 | 1205799 | (30000000- 40000000) | Screw, Btn, M5 X 0.8 X 16, 8.8, NI, Torx | 5 | |
| 12 | 1205496 | (30000000- 40000000) | Hook, Cord | 2 | |
| ▽ | 13 | 1220856 | (30000000- 40000000) | Charger, 24vdc 25a 115- 240vac [On- Board] | 1 |
| ▲ | 14 | 605387 | (30000000- 40000000) | Connector, Anderson, 050a, Red [W/O Con] | 1 |
| 15 | 1025642 | (30000000- 40000000) | Cord, Power, 16/3, 15ft Blk [Us] | 1 | |
| 15 | 1026330 | (30000000- 40000000) | Cord, Power, 1.0mm2 [2.5meter] (China) | 1 | |
| 15 | 1026325 | (30000000- 40000000) | Cord, Power, 1.0mm2/3 Blk[2.5meter, Aus] | 1 | |
| 15 | 1048304 | (30000000- 40000000) | Cord, Power [4.5meter, India, S.Africa] | 1 | |
| 16 | 1202868 | (30000000- 40000000) | Clip, Tie, 0.25d, Plstc | 2 | |
| 17 | 1225019 | (30000000- 40000000) | Bracket Wldt, Charger | 1 | |
| 18 | 1046428 | (30000000- 40000000) | Seal, Afrmkt, Rbr, Clsd, Adh, 02ft | 1 | |
| 19 | 1014668 | (30000000- 40000000) | Bushing, Sleeve, 8mmb 12mmd 6mml | 2 | |
| 20 | 611311 | (30000000- 40000000) | Spring, Cmpr, 0.40od .05wir 00.5l, Pl,Mw | 2 | |
| 21 | 1024965 | (30000000- 40000000) | Bolt, Shld, 08mmd X 030mm, M06 X 1.0 | 2 | |
| 22 | 383729 | (30000000- 40000000) | Circuitbreaker, 60.0a (I- Drive) | 1 | |
| 23 | 383724 | (30000000- 40000000) | Circuitbreaker, 25.0a, Resetable (Left Scrub Motor) | 1 | |
| 24 | 383724 | (30000000- 40000000) | Circuitbreaker, 25.0a, Resetable (Right Scrub Motor) | 1 | |
| 25 | 378969 | (30000000- 40000000) | Clamp, Cable, Stl, 0.56d X 0.38w, 1hole | 1 | |
| 26 | 140262 | (30000000- 40000000) | Clip, Snap- In | 1 | |
| 27 | 1059534 | (30000000- 40000000) | Fastener, 09.00l [Hook & Loop] | 1 | |
| 28 | 1224589 | (30000000- 40000000) | Bracket, Cover, Charger Cables | 1 | |

▽ ASSEMBLY

▲ INCLUDED IN ASSEMBLY

LOWER CONSOLE GROUP, OFF-BOARD CHARGER

355461



LOWER CONSOLE GROUP, OFF- BOARD CHARGER

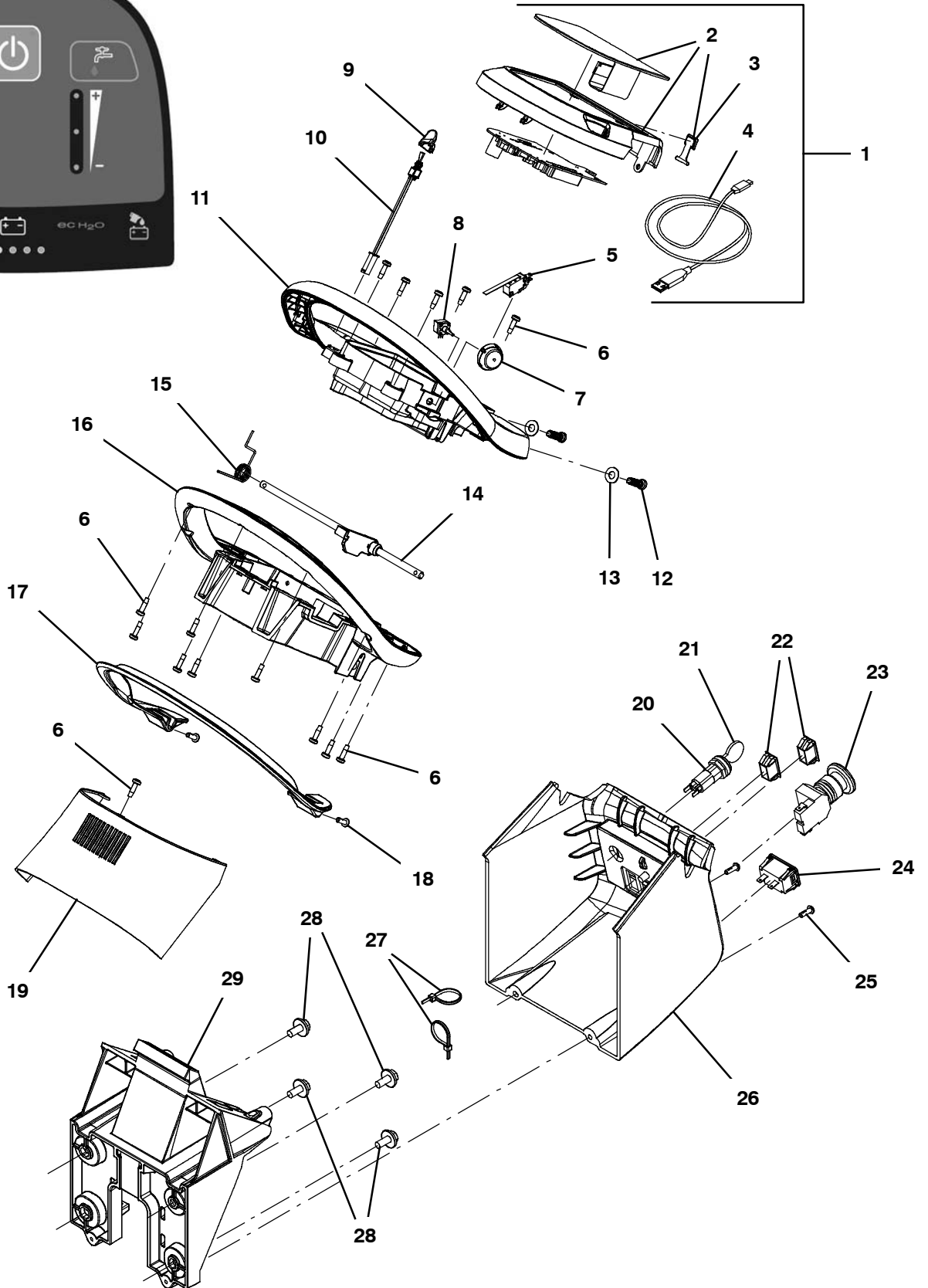
| Ref. | Part No. | Serial Number | Description | Qty. | |
|------|----------|-----------------------|---|---|---|
| 1 | 1225401 | (30000000- 40000000) | Bracket, Cover, Charger | 1 | |
| 2 | 1034731 | (30000000- 40000000) | Screw, Hex, M6 X 1.00 X 16, Sems, Ss | 8 | |
| 3 | 1064191 | (30000000- 40000000) | Boot, Circuitbreaker | 1 | |
| 4 | 1064187 | (30000000- 40000000) | Circuitbreaker, 10.0a, Resetable (ec- H2O / ABW Option) | 1 | |
| 5 | 1064191 | (30000000- 40000000) | Boot, Circuitbreaker | 1 | |
| 6 | 1208816 | (30000000- 40000000) | Circuitbreaker, 04.0a, Resetable (Key Switch) | 1 | |
| 7 | 1064191 | (30000000- 40000000) | Boot, Circuitbreaker | 1 | |
| 8 | 1064187 | (30000000- 40000000) | Circuitbreaker, 10.0a, Resetable (Actuator) | 1 | |
| 9 | 1064191 | (30000000- 40000000) | Boot, Circuitbreaker | 1 | |
| 10 | 1064189 | (30000000- 40000000) | Circuitbreaker, 20.0a, Resetable (Vacuum Fan) | 1 | |
| 11 | 397780 | (30000000- 40000000) | Plug, Hole, Rnd, 0.19h 0.7l, Brb, Plstc | 5 | |
| 12 | 1202868 | (30000000- 40000000) | Clip, Tie, 0.25d, Plstc | 2 | |
| 13 | 1225019 | (30000000- 40000000) | Bracket Wldt, Charger | 1 | |
| 14 | 1046428 | (30000000- 40000000) | Seal, Afmkt, Rbr, Clsd, Adh, 02ft | 1 | |
| 15 | 1013705 | (30000000- 40000000) | Plate, Thread, Switch, M3 Nut, 96hr PI | 1 | |
| 16 | 1215716 | (30000000- 40000000) | Switch, 0.1a, Spdt[Micro, Gold Contacts] | 1 | |
| 17 | 1225158 | (30000000- 40000000) | Bracket Assy, Charger Plug | 1 | |
| 18 | 605387 | (30000000- 40000000) | Connector, Anderson, 050a, Red [W/O Con] | 1 | |
| 19 | 06922 | (30000000- 40000000) | Screw, Pan, Phl, M3 X 0.50 X 20, 4.8 | 2 | |
| 20 | 08712 | (30000000- 40000000) | Nut, Hex, Lock, M6 X 1.00, NI, Ss | 2 | |
| 21 | 06922 | (30000000- 40000000) | Screw, Pan, Phl, M3 X 0.50 X 20, 4.8 | 2 | |
| 22 | 383729 | (30000000- 40000000) | Circuitbreaker, 60.0a (I- Drive) | 1 | |
| 23 | 383724 | (30000000- 40000000) | Circuitbreaker, 25.0a, Resetable (Left Scrub Motor) | 1 | |
| 24 | 383724 | (30000000- 40000000) | Circuitbreaker, 25.0a, Resetable (Right Scrub Motor) | 1 | |
| ▽ | 25 | 1217495 | (30000000- 40000000) | Charger, 24vdc, 650w,85- 265vac [Off Brd] | 1 |
| ▲ | 26 | 605387 | (30000000- 40000000) | Connector, Anderson, 050a, Red [W/O Con] | 1 |
| | 27 | 1025642 | (30000000- 40000000) | Cord, Power, 16/3, 15ft Blk [Us] | 1 |
| | 27 | 1026330 | (30000000- 40000000) | Cord, Power, 1.0mm2 [2.5meter] (China) | 1 |
| | 27 | 1026325 | (30000000- 40000000) | Cord, Power, 1.0mm2/3 Blk[2.5meter, Aus] | 1 |
| | 27 | 1048304 | (30000000- 40000000) | Cord, Power [4.5meter, India, S.Africa] | 1 |

▽ ASSEMBLY

▲ INCLUDED IN ASSEMBLY

CONSOLE GROUP

355460



CONSOLE GROUP

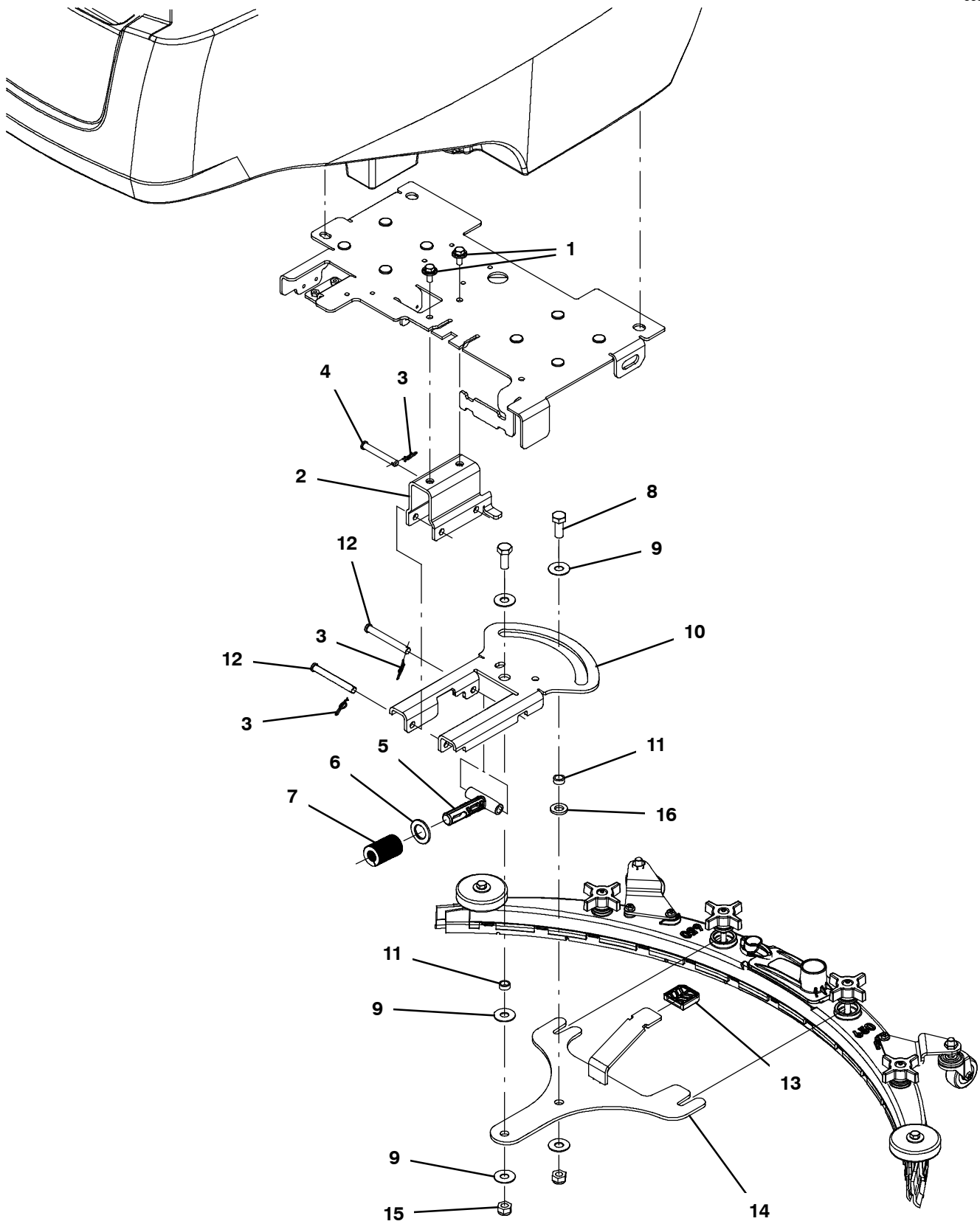
| Ref. | Part No. | Serial Number | Description | Qty. |
|------|----------|---------------|---|------|
| ▽ | 1 | 9015780 | (30000000- 40000000) Bezel Kit, Membrane [T500e] | 1 |
| ▲▽ | 2 | 9015781 | (30000000- 40000000) Screen Kit [T500e] | 1 |
| ▲▲ | 3 | 1205618 | (30000000- 40000000) Cap, Usb | 1 |
| ▲ | 4 | 1071235 | (30000000- 40000000) Cable [Usb, 2m, A- Male To Mini- B- Male] | 1 |
| | 5 | 1205323 | (30000000- 40000000) Switch, 0.1a, Spdt [Micro, Straight] | 1 |
| | 6 | 1043573 | (30000000- 40000000) Screw, #10- 14 X 0.675, Spl[Shcs,Selftap] | 15 |
| | 7 | 1206586 | (30000000- 40000000) Dial, Range, Speed | 1 |
| | 8 | 1204930 | (30000000- 40000000) Potentiometer [100k, 1 Turn, B5/B7] | 1 |
| | 9 | 1209730 | (30000000- 40000000) Cap, Toggle, Direction | 1 |
| | 10 | 1209673 | (30000000- 40000000) Switch Assy, Toggle, Direction | 1 |
| | 11 | 1203787 | (30000000- 40000000) Housing, Handle, Cntrl, Top | 2 |
| | 12 | 1215863 | (30000000- 40000000) Screw, Pan, Torx, M8 X 3.5 X 25[Remform] | 2 |
| | 13 | 140027 | (30000000- 40000000) Washer, Flat, 0.35b 0.75d .04, Ss | 2 |
| | 14 | 1205143 | (30000000- 40000000) Shaft Assy, Bail, Handle | 1 |
| | 15 | 1205781 | (30000000- 40000000) Spring, Return, Bail | 1 |
| | 16 | 1222608 | (30000000- 40000000) Housing, Handle, Cntrl, Bottom, Slotted | 1 |
| | 17 | 1205778 | (30000000- 40000000) Handle, Bail [Machined] | 1 |
| | 18 | 1205799 | (30000000- 40000000) Screw, Btn, M5 X 0.8 X 16, 8.8, NI, Torx | 2 |
| | 19 | 9015305 | (30000000- 40000000) Cover Kit, Handle, Cntrl (Kit Includes Label) | 1 |
| ▽ | 20 | 1011402 | (30000000- 40000000) Switch, Key | 1 |
| ▲ | 21 | 1017696 | (30000000- 40000000) Key Set, Replmt [F/ Keyswitch 1011402] | 1 |
| | 22 | 582150 | (30000000- 40000000) Plug, Hole, Rt, 1.23 X 1.12, Nyl | 2 |
| | 23 | 1011735 | (30000000- 40000000) Switch, Safety, Shutoff | 1 |
| | 24 | 1064038 | (30000000- 40000000) Gauge, Hourmeter, 05- 277 Volt, Ac / Dc | 1 |
| | 25 | 1205799 | (30000000- 40000000) Screw, Btn, M5 X 0.8 X 16, 8.8, NI, Torx | 2 |
| | 26 | 1223019 | (30000000- 40000000) Cover, Console, Lower [T500e] | 1 |
| | 27 | 130773 | (30000000- 40000000) Tie, Cable, Nyl, 11.0l, .14w, 3.0 Max. D | 2 |
| | 28 | 1020341 | (30000000- 40000000) Screw, Hex, M8 X 1.25 X 20, Ss, Sems | 4 |
| | 29 | 1226368 | (30000000- 40000000) Frame, Console, Short, Simplified [Im] | 1 |

▽ ASSEMBLY

▲ INCLUDED IN ASSEMBLY

SQUEEGEE LIFT GROUP

355475

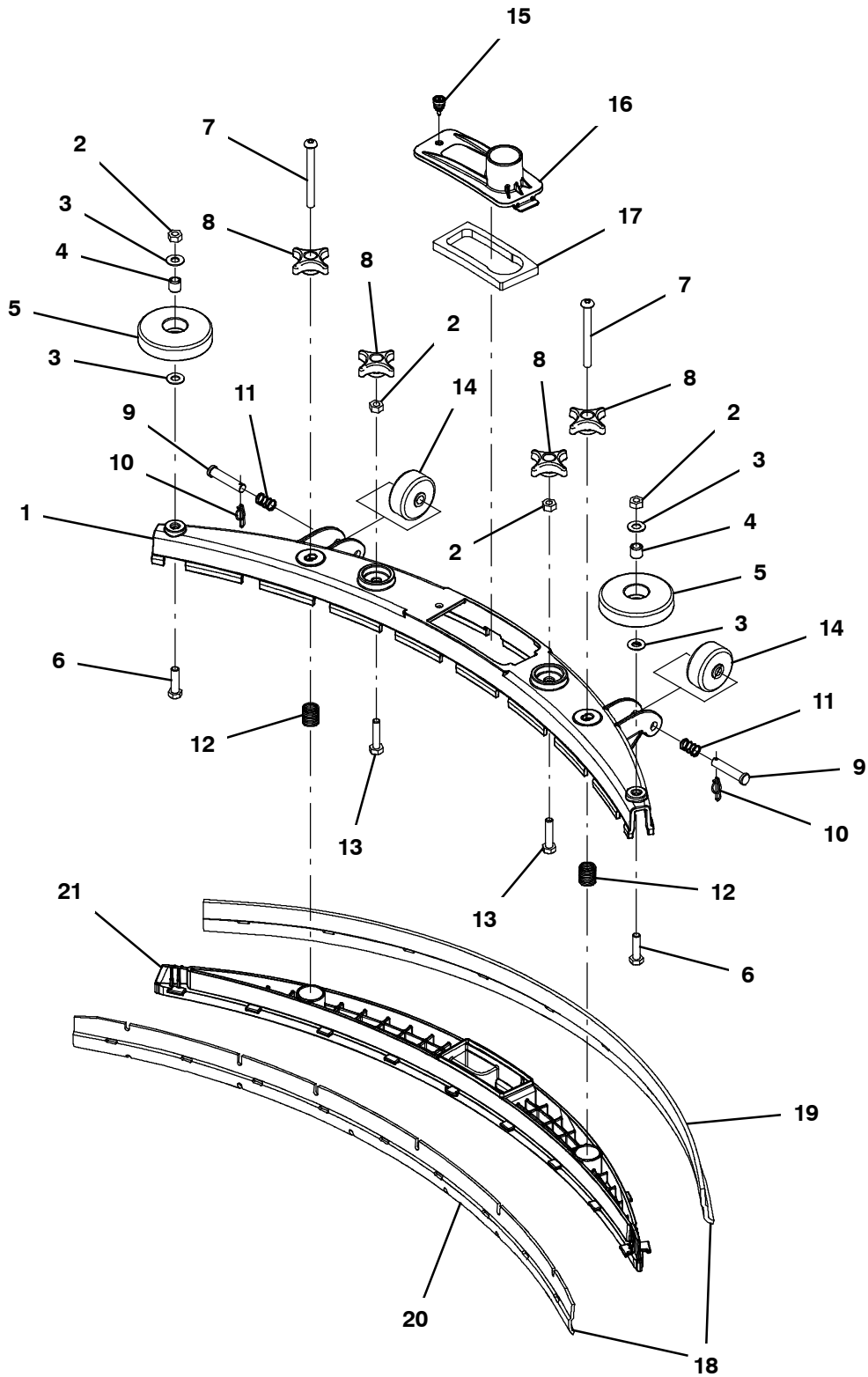


SQUEEGEE LIFT GROUP

| Ref. | Part No. | Serial Number | Description | Qty. |
|------|----------|-----------------------|--|------|
| 1 | 1020341 | (30000000- 40000000) | Screw, Hex, M8 X 1.25 X 20, Ss, Sems | 2 |
| 2 | 1221959 | (30000000- 40000000) | Bracket, Wldt, Lift, Sqge [T500] | 1 |
| 3 | 1216647 | (30000000- 40000000) | Pin, Cotter, Hair, 0.38d .054 Wir | 3 |
| 4 | 391179 | (30000000- 40000000) | Pin, Clevis, 0.37d X 2.62l | 1 |
| 5 | 1230368 | (30000000- 40000000) | Guide, Spring | 1 |
| 6 | 1225960 | (30000000- 40000000) | Washer, Thrust, 0.89b 1.50d 0.13w, Bnz | 1 |
| 7 | 1228773 | (30000000- 40000000) | Spring, Cmpr, 1.25od, .625id, 2.0l | 1 |
| 8 | 12309 | (30000000- 40000000) | Screw, Hex, M12 X 1.75 X 30, Ss | 2 |
| 9 | 140045 | (30000000- 40000000) | Washer, Flat, 0.51b 1.25d .06, Ss | 5 |
| 10 | 1219466 | (30000000- 40000000) | Bracket, Pivot, Sqge [T500] | 1 |
| 11 | 1013662 | (30000000- 40000000) | Bushing, Sleeve, 12mmb 16mmd 7mml,Pm Yel | 2 |
| 12 | 57598 | (30000000- 40000000) | Pin, Clevis, 0.37d X 3.25l | 2 |
| 13 | 1212533 | (30000000- 40000000) | Cover, Pedal, Lift | 1 |
| 14 | 1220505 | (30000000- 40000000) | Bracket Wldt, Mtg, Sqge [T500] | 1 |
| 15 | 09741 | (30000000- 40000000) | Nut, Hex, Lock, M12 X 1.75, NI, Ss | 2 |
| 16 | 140127 | (30000000- 40000000) | Washer, Thrust, 0.51b 1.00d 0.12w, Brz | 1 |

SQUEEGEE ASSEMBLY, 500MM / 20IN

355437



SQUEEGEE ASSEMBLY, 500MM / 20IN

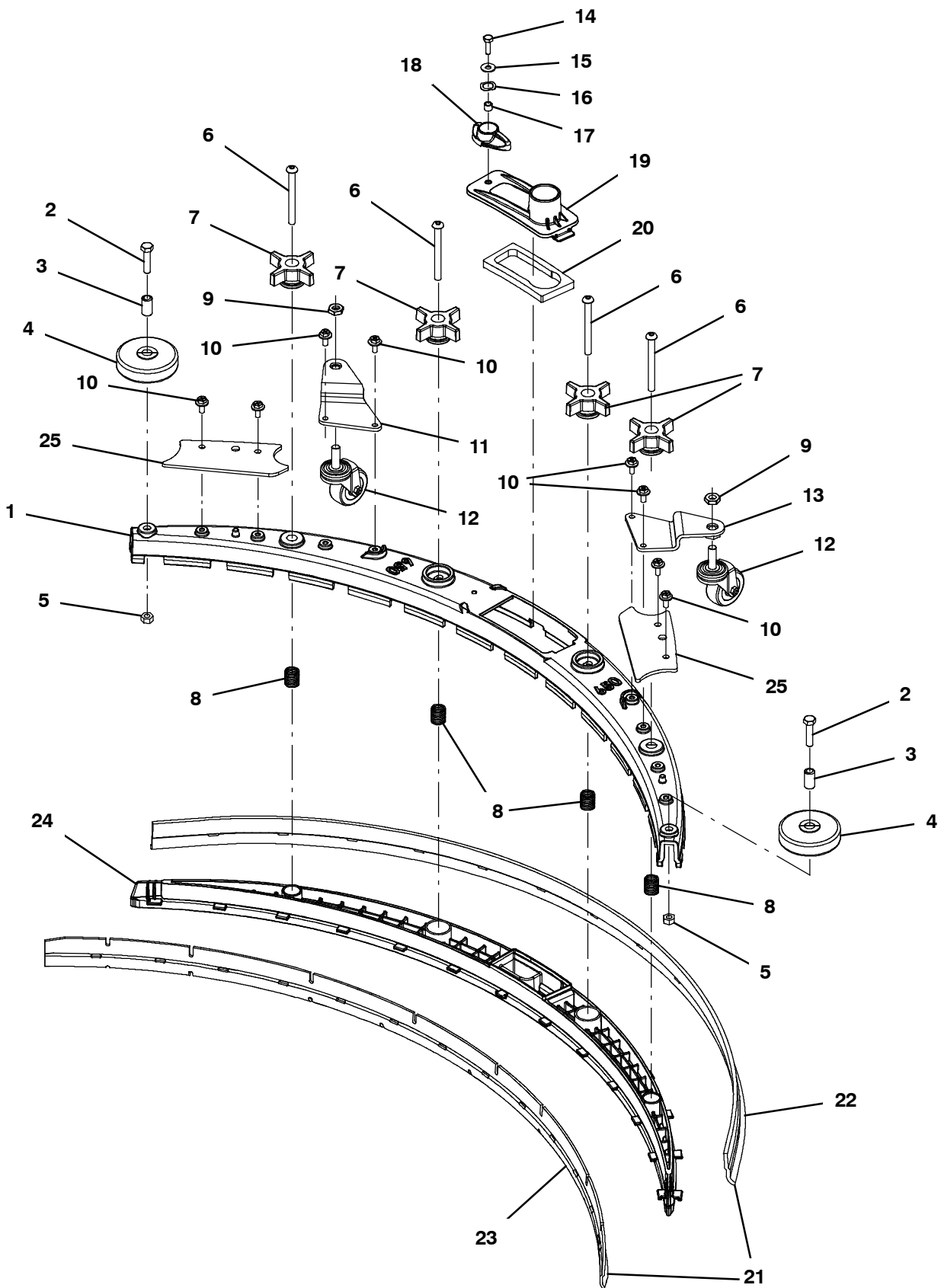
| Ref. | Part No. | Serial Number | Description | Qty. |
|------|------------|-----------------------|---|------|
| ▽ | 9014172 | (30000000- 40000000) | Squeegee Kit, Linatex, Ci [T300/E/Ss300] | 1 |
| ▲ | 1 1215681 | (30000000- 40000000) | Frame, Sqge, 50cm, Mach [T300] | 1 |
| ▲ | 2 07786 | (30000000- 40000000) | Nut, Hex, Std, M8 X 1.25, Ss | 2 |
| ▲ | 3 140027 | (30000000- 40000000) | Washer, Flat, 0.35b 0.75d .04, Ss | 4 |
| ▲ | 4 222460 | (30000000- 40000000) | Sleeve, P/M, 0.32b 0.50d 0.5l [430ss] | 2 |
| ▲ | 5 1010560 | (30000000- 40000000) | Wheel, Bmpr, 80d X 25w, Non- Marking | 2 |
| ▲ | 6 1016399 | (30000000- 40000000) | Screw, Hex, M8 X 1.25 X 30, NI, Ss | 2 |
| ▲ | 7 1212755 | (30000000- 40000000) | Screw, Btn, M8 X 1.25 X 80, Ss | 2 |
| ▲ | 8 1213677 | (30000000- 40000000) | Knob, Star, 2.00od 4ear M8x1.25 [Yel] | 4 |
| ▲ | 9 17461 | (30000000- 40000000) | Pin, Clevis, 0.37d X 1.75l | 2 |
| ▲ | 10 1216647 | (30000000- 40000000) | Pin, Cotter, Hair, 0.38d .054 Wir | 2 |
| ▲ | 11 1017091 | (30000000- 40000000) | Spring, Cmpr, 0.50od .04wir 00.8l | 2 |
| ▲ | 12 22290 | (30000000- 40000000) | Spring, Cmpr, 0.72od .06wir 02.3l | 2 |
| ▲ | 13 09026 | (30000000- 40000000) | Screw, Hex, M8 X 1.25 X 40, Ss | 2 |
| ▲ | 14 630477 | (30000000- 40000000) | Wheel, Pyu, 02.0d 0.38w, Gray | 2 |
| ▲ | 15 1212683 | (30000000- 40000000) | Screw, Captive, M5, Knurled [Snap In] | 1 |
| ▲ | 16 1209631 | (30000000- 40000000) | Cover, Trap, Water, Sqge | 1 |
| ▲ | 17 1210756 | (30000000- 40000000) | Gasket, Trap, Water, Sqge | 1 |
| ▲▽ | 18 9015731 | (30000000- 40000000) | Blade Kit, 500mm, Linatex (Standard) | 1 |
| ▲▲ | 19 1203953 | (30000000- 40000000) | Blade, Sqge, Rear, 836l, Linatex[500mm] (Standard) | 1 |
| ▲▲ | 20 1203954 | (30000000- 40000000) | Blade, Sqge, Front, 788l, Linatex[500mm] (Standard) | 1 |
| ▲ | 21 1203638 | (30000000- 40000000) | Retainer, Sqge [T300] | 1 |
| ▽ | 18 9015732 | (30000000- 40000000) | Blade Kit, 500mm, Urethane (Option) | 1 |
| ▲ | 19 1215609 | (30000000- 40000000) | Blade, Sqge, Rear, 836l, Urethane[500mm] (Option) | 1 |
| ▲ | 20 1215611 | (30000000- 40000000) | Blade, Sqge, Front, 788l, Urethane[500mm] (Option) | 1 |
| ▽ | 18 9015730 | (30000000- 40000000) | Blade Kit, 500mm, Gum (Option) | 1 |
| ▲ | 19 1215610 | (30000000- 40000000) | Blade, Sqge, Rear, 836l, Gum[500mm] (Option) | 1 |
| ▲ | 20 1215612 | (30000000- 40000000) | Blade, Sqge, Front, 788l, Gum[500mm] (Option) | 1 |

▽ ASSEMBLY

▲ INCLUDED IN ASSEMBLY

SQUEEGEE ASSEMBLY, 650MM / 26IN

355438



SQUEEGEE ASSEMBLY, 650MM / 26IN

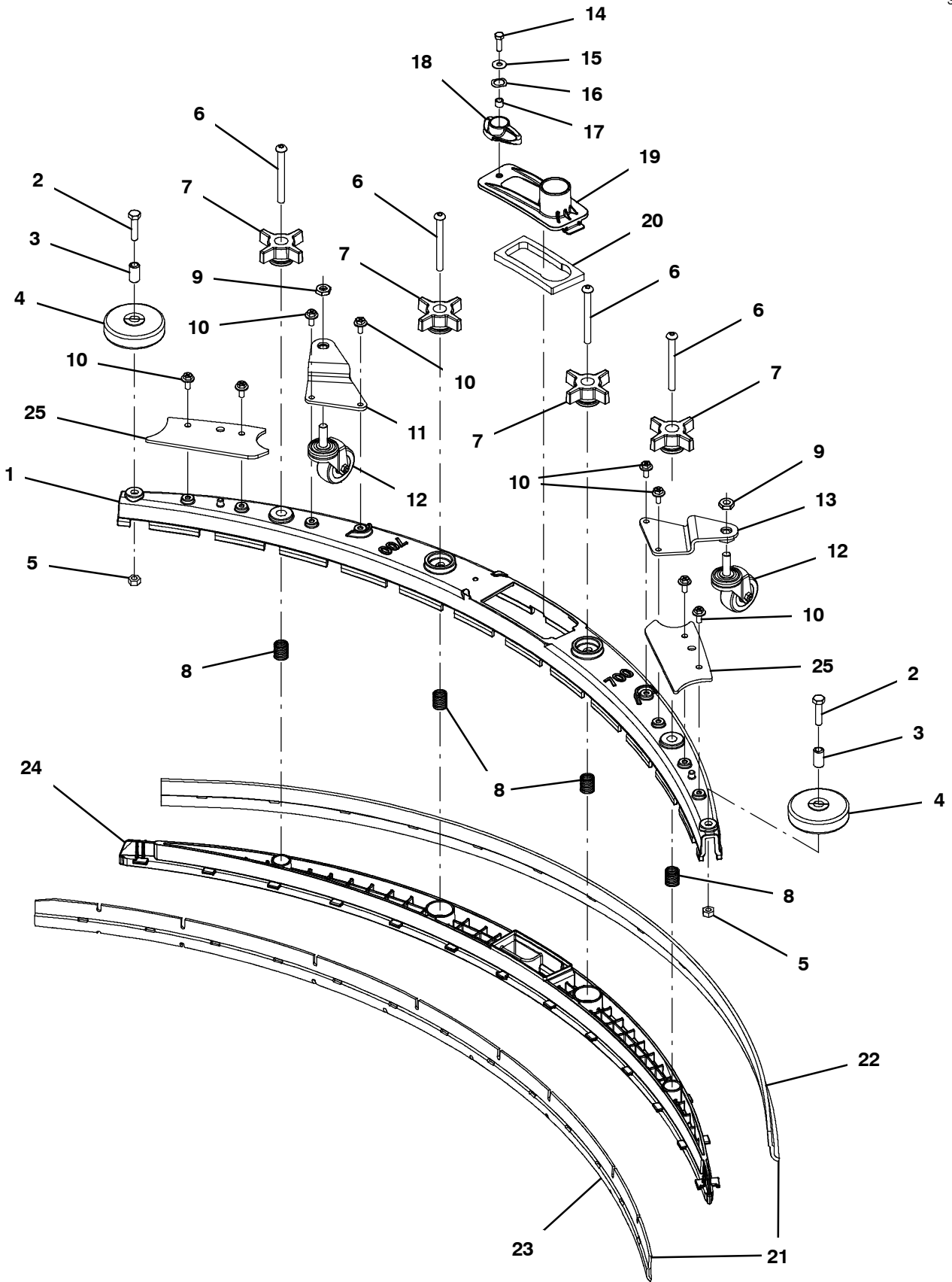
| Ref. | Part No. | Serial Number | Description | Qty. |
|------|------------|-----------------------|---|------|
| ▽ | 9015301 | (30000000- 40000000) | Squeegee Kit, 650mm, Ci | 1 |
| ▲ | 1 1221259 | (30000000- 40000000) | Frame, Sqge, 65cm, Mach [T500] | 1 |
| ▲ | 2 59658 | (30000000- 40000000) | Screw, Hex, M8 X 1.25 X 35, NI, Ss | 2 |
| ▲ | 3 222496 | (30000000- 40000000) | Sleeve, P/M, 0.32b 0.50d 0.9l [430ss] | 2 |
| ▲ | 4 222066 | (30000000- 40000000) | Wheel, 03.0d 0.88w 0.50b | 2 |
| ▲ | 5 07786 | (30000000- 40000000) | Nut, Hex, Std, M8 X 1.25, Ss | 2 |
| ▲ | 6 1212755 | (30000000- 40000000) | Screw, Btn, M8 X 1.25 X 80, Ss | 4 |
| ▲ | 7 1230581 | (30000000- 40000000) | Knob, Star, 2.75d 4ear, M8x1.25 Fem | 4 |
| ▲ | 8 22290 | (30000000- 40000000) | Spring, Cmpr, 0.72od .06wir 02.3l | 4 |
| ▲ | 9 32716 | (30000000- 40000000) | Nut, Hex, Jam, M10 X 1.5, Ss | 2 |
| ▲ | 10 1034731 | (30000000- 40000000) | Screw, Hex, M6 X 1.00 X 16, Sems, Ss | 8 |
| ▲ | 11 1222236 | (30000000- 40000000) | Bracket Wldt, Caster, Rh Sqge[T500] | 1 |
| ▲ | 12 1006343 | (30000000- 40000000) | Caster, Swivel, 50mmd, M10 X 30, Clr PI | 2 |
| ▲ | 13 1222001 | (30000000- 40000000) | Bracket Wldt, Caster, Lh Sqge [T500] | 1 |
| ▲ | 14 12277 | (30000000- 40000000) | Screw, Hex, M6 X 1.00 X 20, NI, Ss | 1 |
| ▲ | 15 01684 | (30000000- 40000000) | Washer, Flat, 0.27b 0.69d .05, Ss | 1 |
| ▲ | 16 140060 | (30000000- 40000000) | Washer, Wave- Spring, .505 .750 .045 | 1 |
| ▲ | 17 140154 | (30000000- 40000000) | Sleeve, P/M, 0.25b 0.38d 0.3l, PI | 1 |
| ▲ | 18 1222109 | (30000000- 40000000) | Knob, Sqge, 58l, M6 X 1.00, Plstc | 1 |
| ▲ | 19 1209631 | (30000000- 40000000) | Cover, Trap, Water, Sqge | 1 |
| ▲ | 20 1210756 | (30000000- 40000000) | Gasket, Trap, Water, Sqge | 1 |
| ▲▽ | 21 9015734 | (30000000- 40000000) | Blade Kit, 650mm, Linatex (Standard) | 1 |
| ▲▲ | 22 1221585 | (30000000- 40000000) | Blade, Sqge, Rear, 1166l, Linatex[650mm] (Standard) | 1 |
| ▲▲ | 23 1232680 | (30000000- 40000000) | Blade, Sqge, Front, 1072l Linard[650mm] (Standard) | 1 |
| ▲ | 24 1221260 | (30000000- 40000000) | Retainer, Sqge, 65cm [T500] | 1 |
| ▲ | 25 1230738 | (30000000- 40000000) | Bracket, Sqge Bumper | 2 |
| ▽ | 21 9015735 | (30000000- 40000000) | Blade Kit, 650mm, Urethane (Option) | 1 |
| ▲ | 22 1228909 | (30000000- 40000000) | Blade, Sqge, Rear, 1136l,Urethane[650mm] (Option) | 1 |
| ▲ | 23 1228915 | (30000000- 40000000) | Blade, Sqge, Front,1072l,Urethane[650mm] (Option) | 1 |
| ▽ | 21 9015733 | (30000000- 40000000) | Blade Kit, 650mm, Gum (Option) | 1 |
| ▲ | 22 1228910 | (30000000- 40000000) | Blade, Sqge, Rear, 1136l, Gum[650mm] (Option) | 1 |
| ▲ | 23 1228919 | (30000000- 40000000) | Blade, Sqge, Front, 1072l Gum[650mm] (Option) | 1 |

▽ ASSEMBLY

▲ INCLUDED IN ASSEMBLY

SQUEEGEE ASSEMBLY, 700MM / 28IN

355439



SQUEEGEE ASSEMBLY, 700MM / 28IN

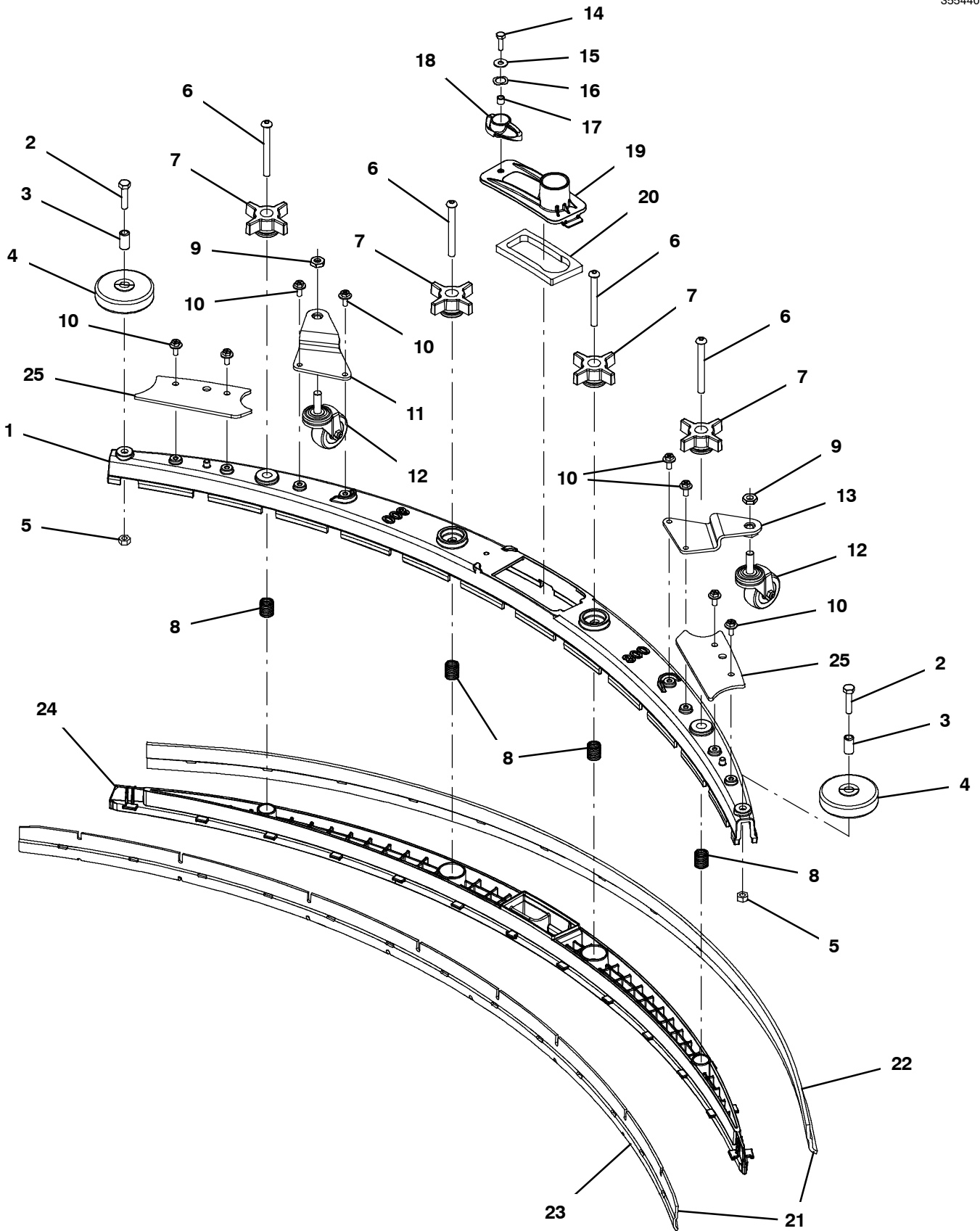
| Ref. | Part No. | Serial Number | Description | Qty. |
|------|------------|-----------------------|---|------|
| ▽ | 9015302 | (30000000- 40000000) | Squeegee Kit, 700mm, Ci | 1 |
| ▲ | 1 1220309 | (30000000- 40000000) | Frame, Sqge, 70cm, Mach [T500] | 1 |
| ▲ | 2 59658 | (30000000- 40000000) | Screw, Hex, M8 X 1.25 X 35, NI, Ss | 2 |
| ▲ | 3 222496 | (30000000- 40000000) | Sleeve, P/M, 0.32b 0.50d 0.9l [430ss] | 2 |
| ▲ | 4 222066 | (30000000- 40000000) | Wheel, 03.0d 0.88w 0.50b | 2 |
| ▲ | 5 07786 | (30000000- 40000000) | Nut, Hex, Std, M8 X 1.25, Ss | 2 |
| ▲ | 6 1212755 | (30000000- 40000000) | Screw, Btn, M8 X 1.25 X 80, Ss | 4 |
| ▲ | 7 1230581 | (30000000- 40000000) | Knob, Star, 2.75d 4ear, M8x1.25 Fem | 4 |
| ▲ | 8 22290 | (30000000- 40000000) | Spring, Cmpr, 0.72od .06wir 02.3l | 4 |
| ▲ | 9 32716 | (30000000- 40000000) | Nut, Hex, Jam, M10 X 1.5, Ss | 2 |
| ▲ | 10 1034731 | (30000000- 40000000) | Screw, Hex, M6 X 1.00 X 16, Sems, Ss | 8 |
| ▲ | 11 1222236 | (30000000- 40000000) | Bracket Wldt, Caster, Rh Sqge[T500] | 1 |
| ▲ | 12 1006343 | (30000000- 40000000) | Caster, Swivel, 50mmd, M10 X 30, Clr PI | 2 |
| ▲ | 13 1222001 | (30000000- 40000000) | Bracket Wldt, Caster, Lh Sqge [T500] | 1 |
| ▲ | 14 12277 | (30000000- 40000000) | Screw, Hex, M6 X 1.00 X 20, NI, Ss | 1 |
| ▲ | 15 01684 | (30000000- 40000000) | Washer, Flat, 0.27b 0.69d .05, Ss | 1 |
| ▲ | 16 140060 | (30000000- 40000000) | Washer, Wave- Spring, .505 .750 .045 | 1 |
| ▲ | 17 140154 | (30000000- 40000000) | Sleeve, P/M, 0.25b 0.38d 0.3l, PI | 1 |
| ▲ | 18 1222109 | (30000000- 40000000) | Knob, Sqge, 58l, M6 X 1.00, Plstc | 1 |
| ▲ | 19 1209631 | (30000000- 40000000) | Cover, Trap, Water, Sqge | 1 |
| ▲ | 20 1210756 | (30000000- 40000000) | Gasket, Trap, Water, Sqge | 1 |
| ▲▽ | 21 9015737 | (30000000- 40000000) | Blade Kit, 700mm, Linatex (Standard) | 1 |
| ▲▲ | 22 1221572 | (30000000- 40000000) | Blade, Sqge, Rear, 1204l, Linatex[700mm] (Standard) | 1 |
| ▲▲ | 23 1232679 | (30000000- 40000000) | Blade, Sqge, Front, 1148l Linard[700mm] (Standard) | 1 |
| ▲ | 24 1220783 | (30000000- 40000000) | Retainer, Sqge, 70cm [T500] | 1 |
| ▲ | 25 1230738 | (30000000- 40000000) | Bracket, Sqge Bumper | 2 |
| ▽ | 21 9015738 | (30000000- 40000000) | Blade Kit, 700mm, Urethane (Option) | 1 |
| ▲ | 22 1228904 | (30000000- 40000000) | Blade, Sqge, Rear, 1204l,Urethane[700mm] (Option) | 1 |
| ▲ | 23 1228906 | (30000000- 40000000) | Blade, Sqge, Front,1148l Urethane[700mm] (Option) | 1 |
| ▽ | 21 9015736 | (30000000- 40000000) | Blade Kit, 700mm, Gum (Option) | 1 |
| ▲ | 22 1228905 | (30000000- 40000000) | Blade, Sqge, Rear, 1204l, Gum[700mm] (Option) | 1 |
| ▲ | 23 1228907 | (30000000- 40000000) | Blade, Sqge, Front, 1148l Gum[700mm] (Option) | 1 |

▽ ASSEMBLY

▲ INCLUDED IN ASSEMBLY

SQUEEGEE ASSEMBLY, 800MM / 32IN

355440



SQUEEGEE ASSEMBLY, 800MM / 32IN

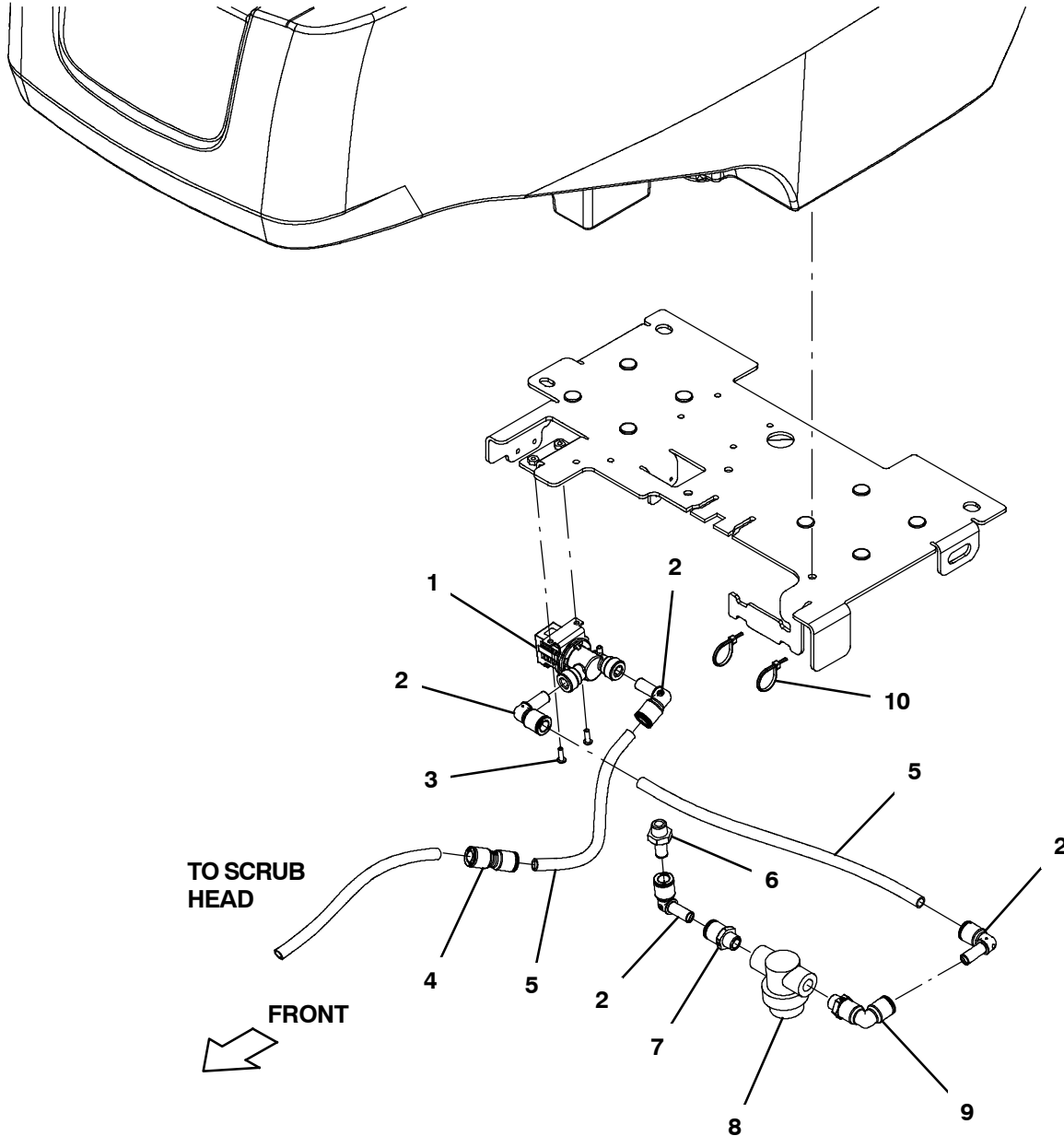
| Ref. | Part No. | Serial Number | Description | Qty. |
|------|----------|---------------|---|------|
| ▽ | | 9015303 | (30000000- 40000000) Squeegee Kit, 800mm, Ci | 1 |
| ▲ | 1 | 1219894 | (30000000- 40000000) Frame, Sqge, 80cm, Mach [T500] | 1 |
| ▲ | 2 | 59658 | (30000000- 40000000) Screw, Hex, M8 X 1.25 X 35, NI, Ss | 2 |
| ▲ | 3 | 222496 | (30000000- 40000000) Sleeve, P/M, 0.32b 0.50d 0.9l [430ss] | 2 |
| ▲ | 4 | 222066 | (30000000- 40000000) Wheel, 03.0d 0.88w 0.50b | 2 |
| ▲ | 5 | 07786 | (30000000- 40000000) Nut, Hex, Std, M8 X 1.25, Ss | 2 |
| ▲ | 6 | 1212755 | (30000000- 40000000) Screw, Btn, M8 X 1.25 X 80, Ss | 4 |
| ▲ | 7 | 1230581 | (30000000- 40000000) Knob, Star, 2.75d 4ear, M8x1.25 Fem | 4 |
| ▲ | 8 | 22290 | (30000000- 40000000) Spring, Cmpr, 0.72od .06wir 02.3l | 4 |
| ▲ | 9 | 32716 | (30000000- 40000000) Nut, Hex, Jam, M10 X 1.5, Ss | 2 |
| ▲ | 10 | 1034731 | (30000000- 40000000) Screw, Hex, M6 X 1.00 X 16, Sems, Ss | 8 |
| ▲ | 11 | 1222236 | (30000000- 40000000) Bracket Wldt, Caster, Rh Sqge[T500] | 1 |
| ▲ | 12 | 1006343 | (30000000- 40000000) Caster, Swivel, 50mmd, M10 X 30, Clr PI | 2 |
| ▲ | 13 | 1222001 | (30000000- 40000000) Bracket Wldt, Caster, Lh Sqge [T500] | 1 |
| ▲ | 14 | 12277 | (30000000- 40000000) Screw, Hex, M6 X 1.00 X 20, NI, Ss | 1 |
| ▲ | 15 | 01684 | (30000000- 40000000) Washer, Flat, 0.27b 0.69d .05, Ss | 1 |
| ▲ | 16 | 140060 | (30000000- 40000000) Washer, Wave- Spring, .505 .750 .045 | 1 |
| ▲ | 17 | 140154 | (30000000- 40000000) Sleeve, P/M, 0.25b 0.38d 0.3l, PI | 1 |
| ▲ | 18 | 1222109 | (30000000- 40000000) Knob, Sqge, 58l, M6 X 1.00, Plstc | 1 |
| ▲ | 19 | 1209631 | (30000000- 40000000) Cover, Trap, Water, Sqge | 1 |
| ▲ | 20 | 1210756 | (30000000- 40000000) Gasket, Trap, Water, Sqge | 1 |
| ▲▽ | 21 | 9015740 | (30000000- 40000000) Blade Kit, 800mm, Linatex (Standard) | 1 |
| ▲▲ | 22 | 1221115 | (30000000- 40000000) Blade, Sqge, Rear, 1306l, Linatex[800mm] (Standard) | 1 |
| ▲▲ | 23 | 1232681 | (30000000- 40000000) Blade, Sqge, Front, 1256l Linard[800mm] (Standard) | 1 |
| ▲ | 24 | 1219894 | (30000000- 40000000) Frame, Sqge, 80cm, Mach [T500] | 1 |
| ▲ | 25 | 1230738 | (30000000- 40000000) Bracket, Sqge Bumper | 2 |
| ▽ | 21 | 9015741 | (30000000- 40000000) Blade Kit, 800mm, Urethane (Option) | 1 |
| ▲ | 22 | 1228920 | (30000000- 40000000) Blade, Sqge, Rear, 1306l,Urethane[800mm] (Option) | 1 |
| ▲ | 23 | 1228922 | (30000000- 40000000) Blade, Sqge, Front,1256l Urethane[800mm] (Option) | 1 |
| ▽ | 21 | 9015739 | (30000000- 40000000) Blade Kit, 800mm, Gum (Option) | 1 |
| ▲ | 22 | 1228921 | (30000000- 40000000) Blade, Sqge, Rear, 1306l, Gum[800mm] (Option) | 1 |
| ▲ | 23 | 1228923 | (30000000- 40000000) Blade, Sqge, Front, 1256l Gum[800mm] (Option) | 1 |

▽ ASSEMBLY

▲ INCLUDED IN ASSEMBLY

STANDARD SOLUTION GROUP

355468



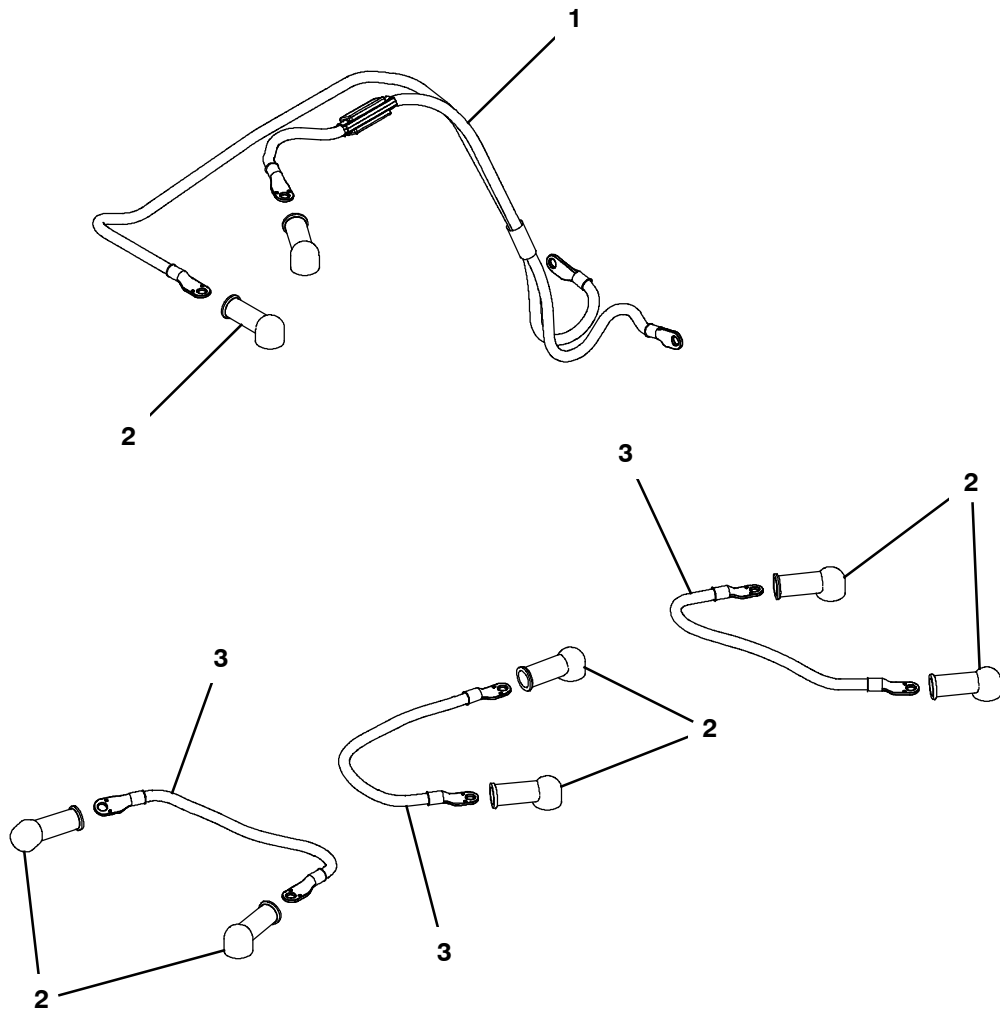
| Ref. | Part No. | Serial Number | Description | Qty. | |
|------|----------|-----------------------|--|---|---|
| 1 | 1211424 | (30000000- 40000000) | Valve, Water, Solenoid, 24vdc Qf08/Qf08 | 1 | |
| 2 | 1212809 | (30000000- 40000000) | Fitting, Plstc, E90, Qf08/Qm08 | 4 | |
| 3 | 1205799 | (30000000- 40000000) | Screw, Btn, M5 X 0.8 X 16, 8.8, NI, Torx | 2 | |
| 4 | 1212859 | (30000000- 40000000) | Fitting, Plstc, Str, Qf08/Qf08 | 1 | |
| 5 | 9014145 | (30000000- 40000000) | Hose, Afrmkt, Pe, .375id .50od, 05ft | 1 | |
| 6 | 1227552 | (30000000- 40000000) | Fitting, Plstc, Str, Qm08/Pm06 | 1 | |
| 7 | 1212813 | (30000000- 40000000) | Fitting, Plstc, Str, Qf08/Pm06 | 1 | |
| ▽ | 8 | 1211537 | (30000000- 40000000) | Filter, In- Line, Pf06/Pf06 080m 2.6l Epd | 1 |
| ▲ | | 1218885 | (30000000- 40000000) | Gasket [Epdm, F/1211537] | 1 |
| ▲ | | 1218883 | (30000000- 40000000) | Screen, Fltr, 80 Mesh, Ss [W/ Cage] | 1 |
| ▲ | 613991 | (30000000- 40000000) | Bowl, Clr, Short, F/1005302 | 1 | |
| | 9 | 1212987 | (30000000- 40000000) | Fitting, Plstc, E90, Qf08/Pm06, Swivel | 1 |
| | 10 | 130773 | (30000000- 40000000) | Tie, Cable, Nyl, 11.0l, .14w, 3.0 Max. D | 2 |

▽ ASSEMBLY

▲ INCLUDED IN ASSEMBLY

STANDARD BATTERY CABLES GROUP

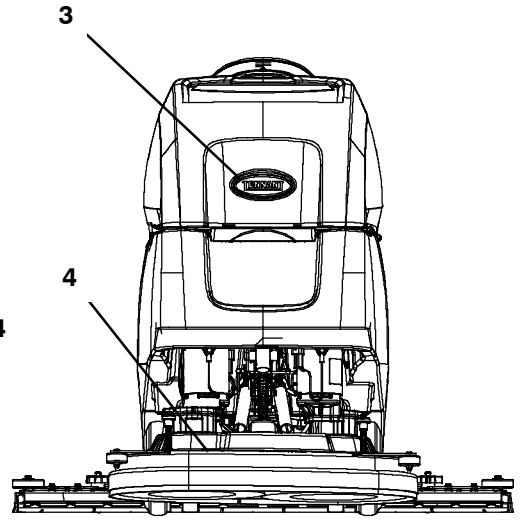
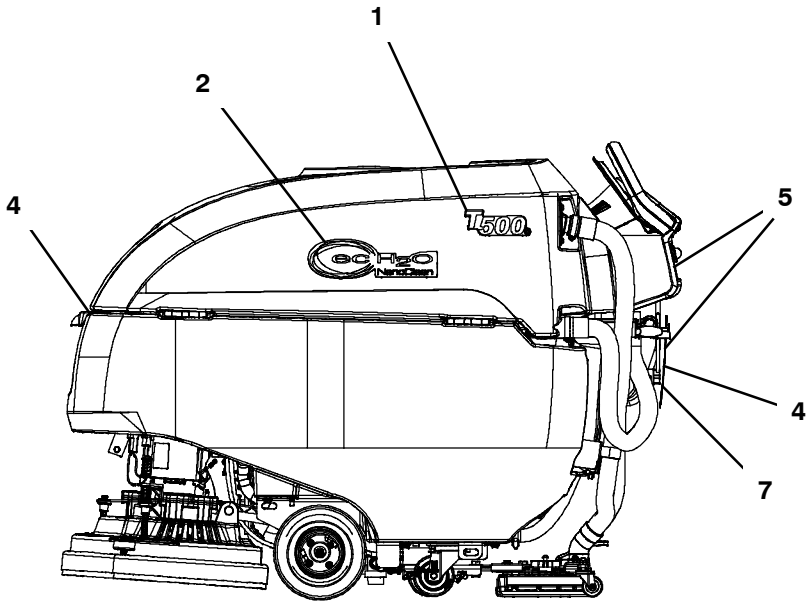
355463



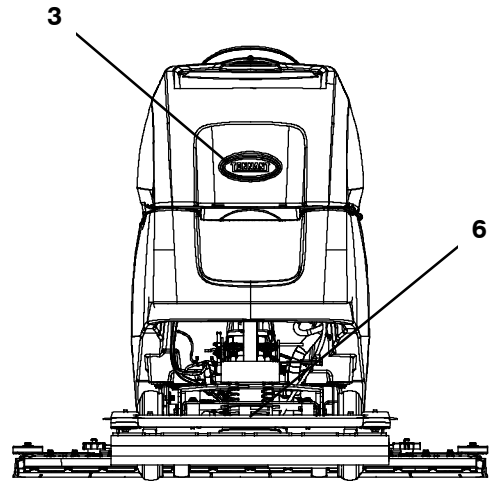
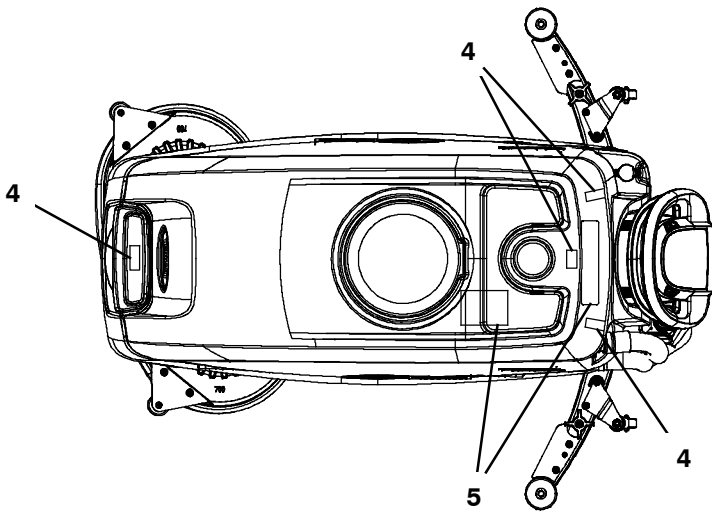
| Ref. | Part No. | Serial Number | Description | Qty. |
|------|----------|-----------------------|---|------|
| 1 | 1074942 | (30000000- 40000000) | Cable, Assy [T500, T500e] | 1 |
| 2 | 611221 | (30000000- 40000000) | Boot, Terminal, Battery, 25.4mm, Blk | 8 |
| 3 | 1073680 | (30000000- 40000000) | Cable, 04ga 15.0l Blk [M8 Ring/M8 Ring] | 3 |

LABEL GROUP

355498



DISK & CYLINDRICAL HEAD

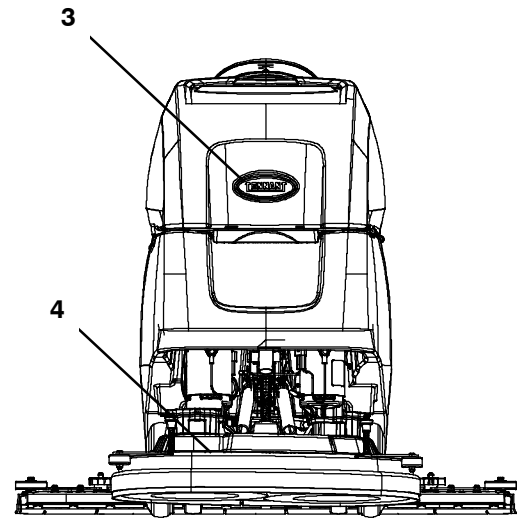
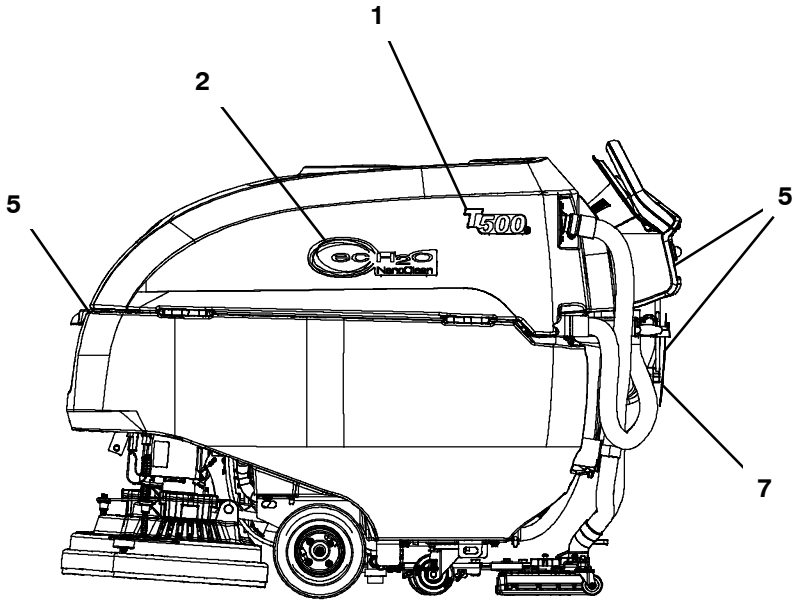


ORBITAL HEAD

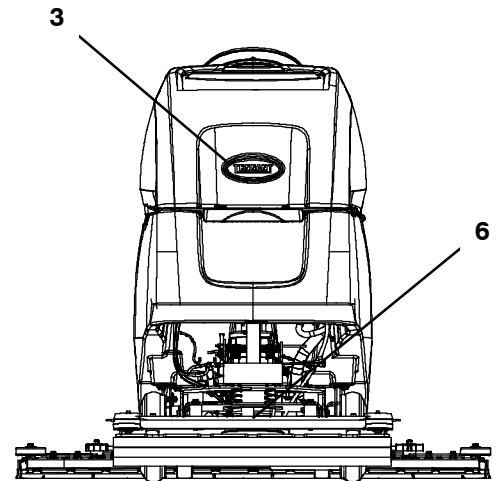
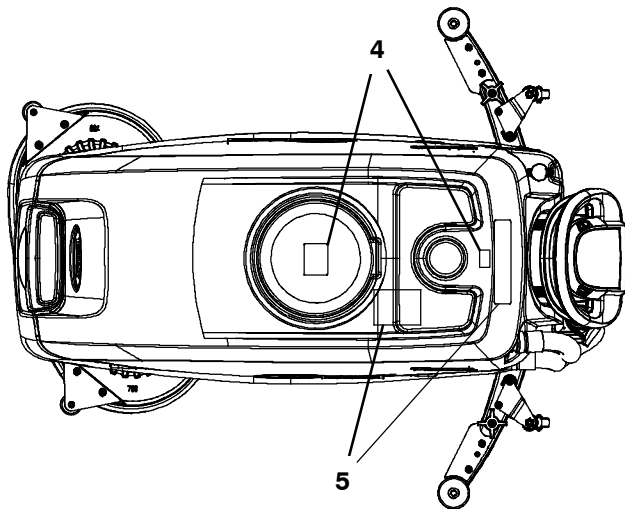
| Ref. | Part No. | Serial Number | Description | Qty. |
|------|----------|-----------------------|---------------------------------------|------|
| 1 | 1224984 | (30000000- 40000000) | Label, T500e | 2 |
| 2 | 1216520 | (30000000- 40000000) | Label, Logo [Ech2o Nano] | 2 |
| 3 | 1213114 | (30000000- 40000000) | Label, Logo, 05.5l, Blk/Sil [Tennant] | 1 |
| 4 | 1220963 | (30000000- 40000000) | Label Sheet, Info/Hzrd [T500, Ce] | 1 |
| 5 | 1220965 | (30000000- 40000000) | Label Sheet, Operational [T500] | 1 |
| 6 | 1224995 | (30000000- 40000000) | Label, Orbital, Size, 70cm | 1 |
| 7 | 1225763 | (30000000- 40000000) | Label, Decal, Charger, Off- Board | 1 |

LABEL GROUP (JAPAN)

355500



DISK & CYLINDRICAL HEAD



ORBITAL HEAD

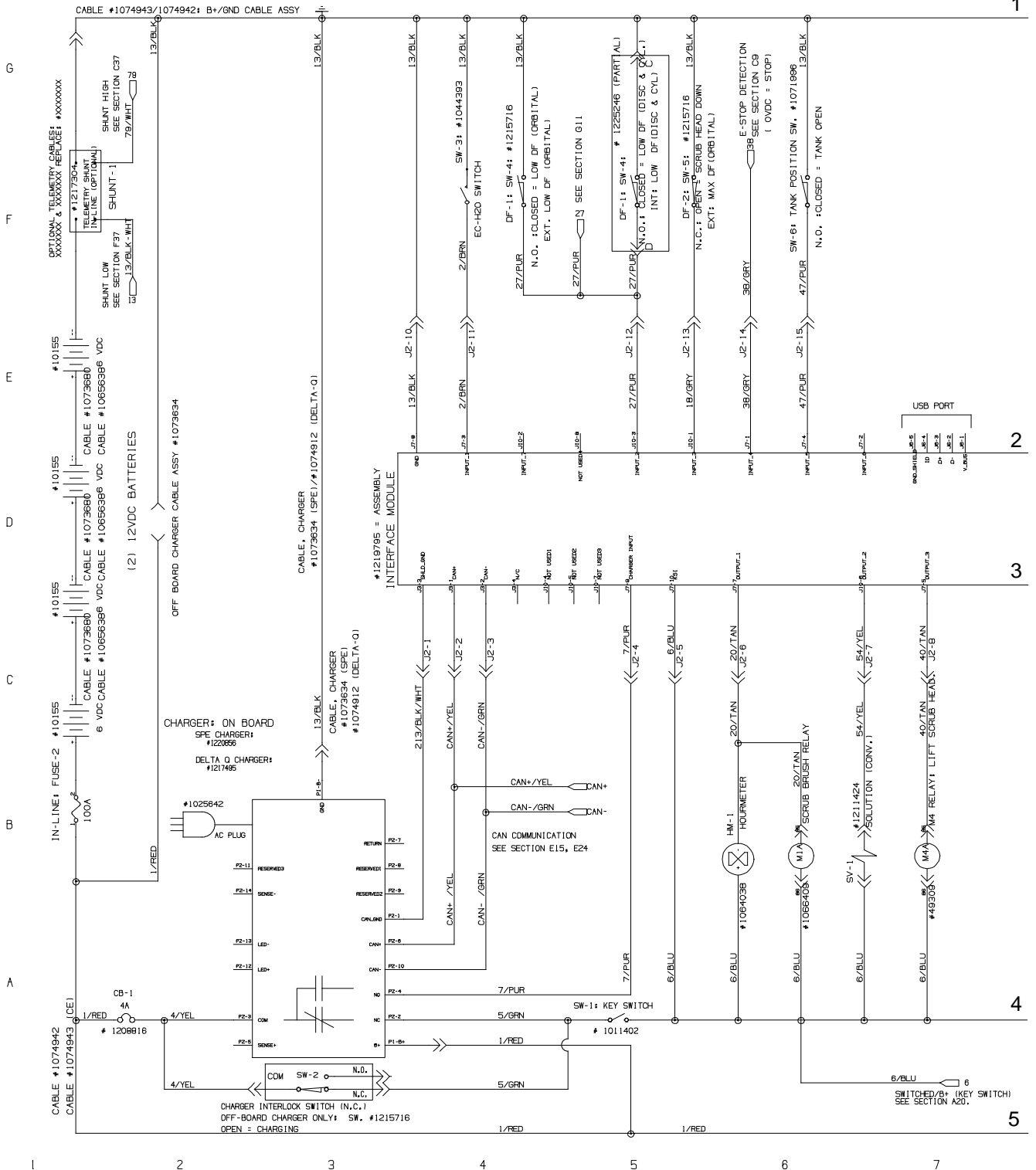
| Ref. | Part No. | Serial Number | Description | Qty. |
|------|----------|-----------------------|---------------------------------------|------|
| 1 | 1224984 | (30000000- 40000000) | Label, T500e | 2 |
| 2 | 1216520 | (30000000- 40000000) | Label, Logo [Ech2o Nano] | 2 |
| 3 | 1213114 | (30000000- 40000000) | Label, Logo, 05.5l, Blk/Sil [Tennant] | 1 |
| 4 | 1220966 | (30000000- 40000000) | Label Sheet, Data [T500, Jp] | 1 |
| 5 | 1220965 | (30000000- 40000000) | Label Sheet, Operational [T500] | 1 |
| 6 | 1224995 | (30000000- 40000000) | Label, Orbital, Size, 70cm | 1 |
| 7 | 1225763 | (30000000- 40000000) | Label, Decal, Charger, Off- Board | 1 |

ELECTRICAL DIAGRAM (PAGE 1 OF 4)

1075167_00

BATTERY /
CHARGER
SYSTEMS

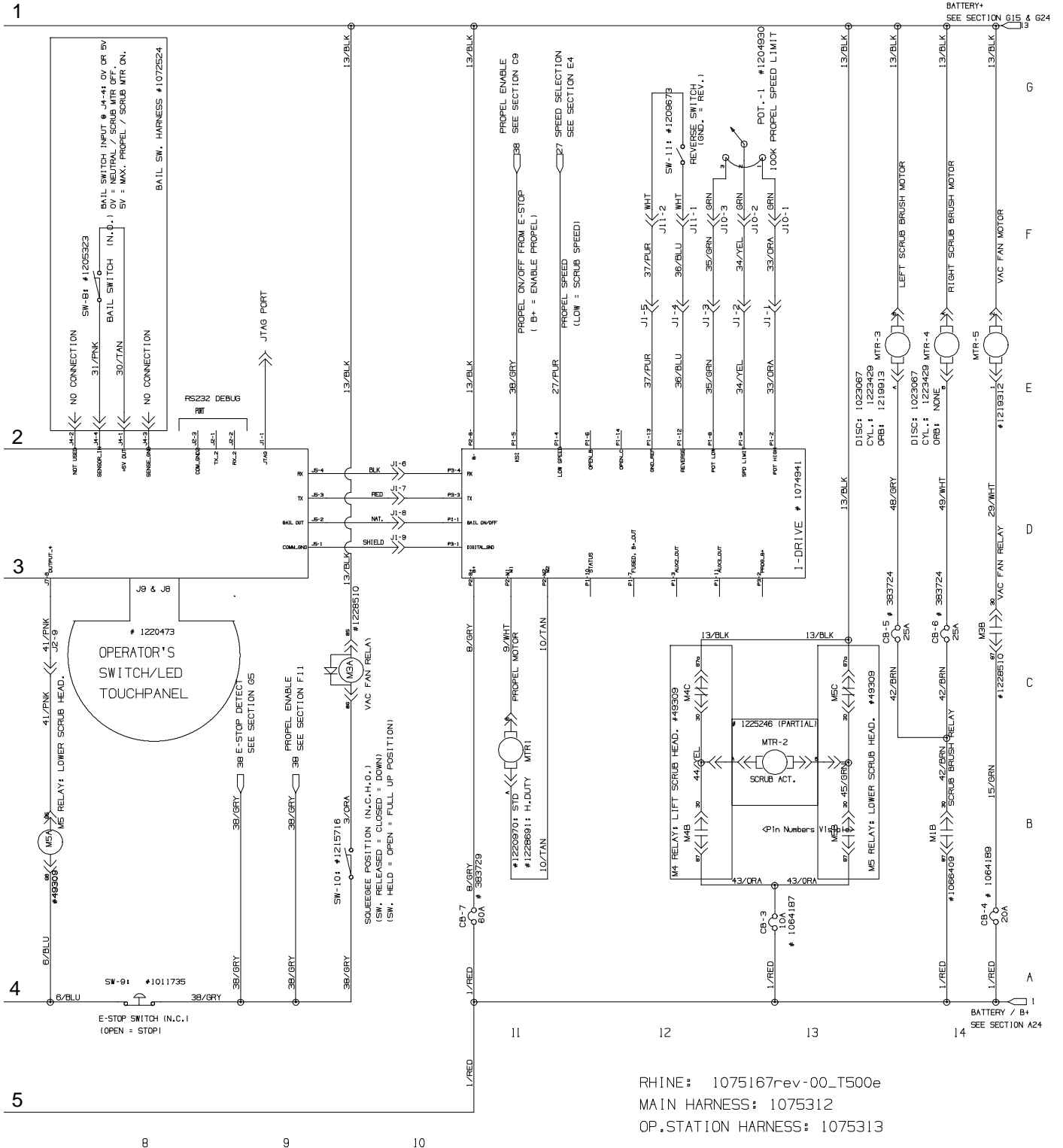
BASE CONTROL
MODULE



ELECTRICAL DIAGRAM (PAGE 2 OF 4)

1075167_00

PROPEL SYSTEM



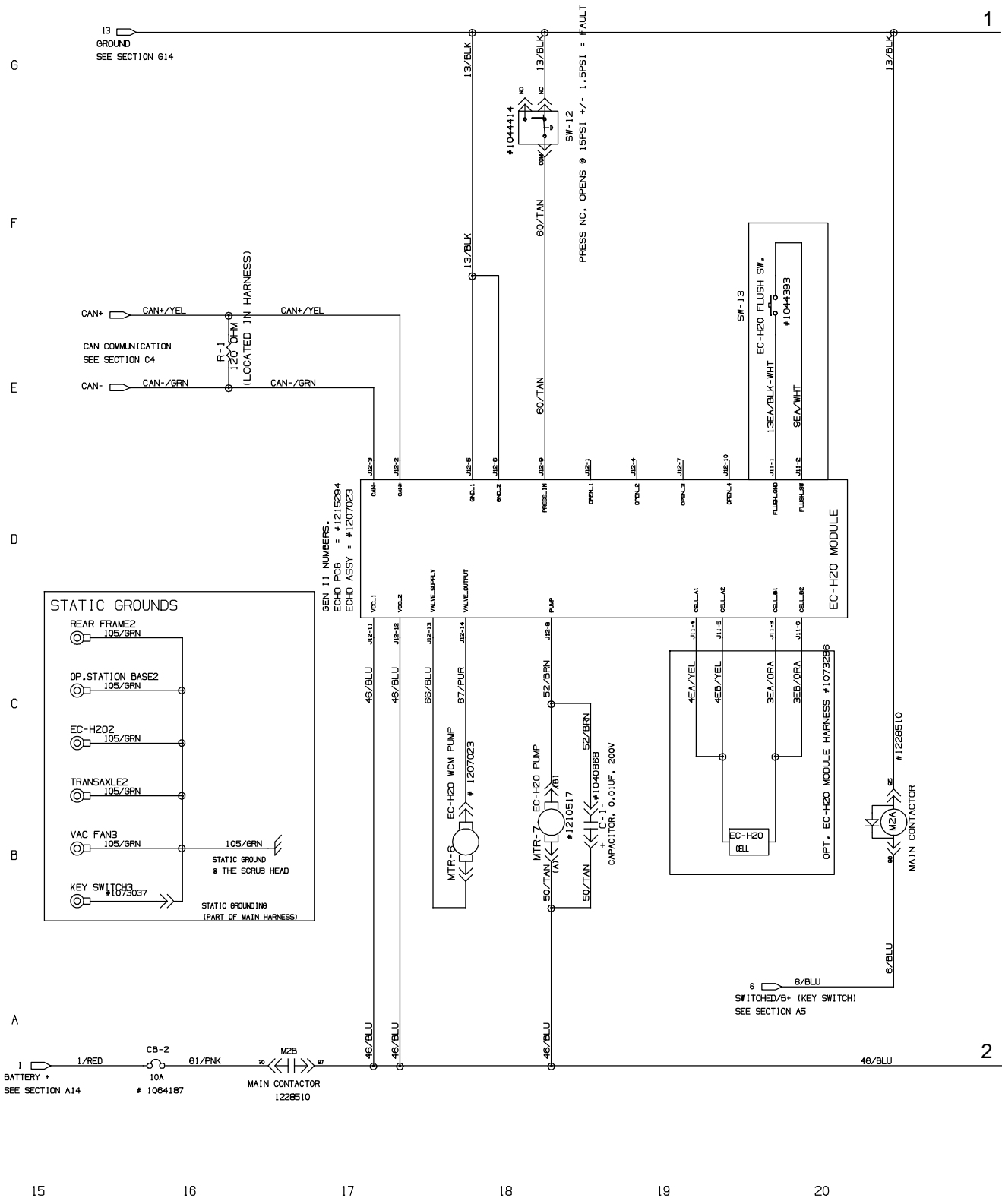
RHINE: 1075167rev-00_T500e
 MAIN HARNESS: 1075312
 OP.STATION HARNESS: 1075313

ELECTRICAL DIAGRAM (PAGE 3 OF 4)

1075167_00

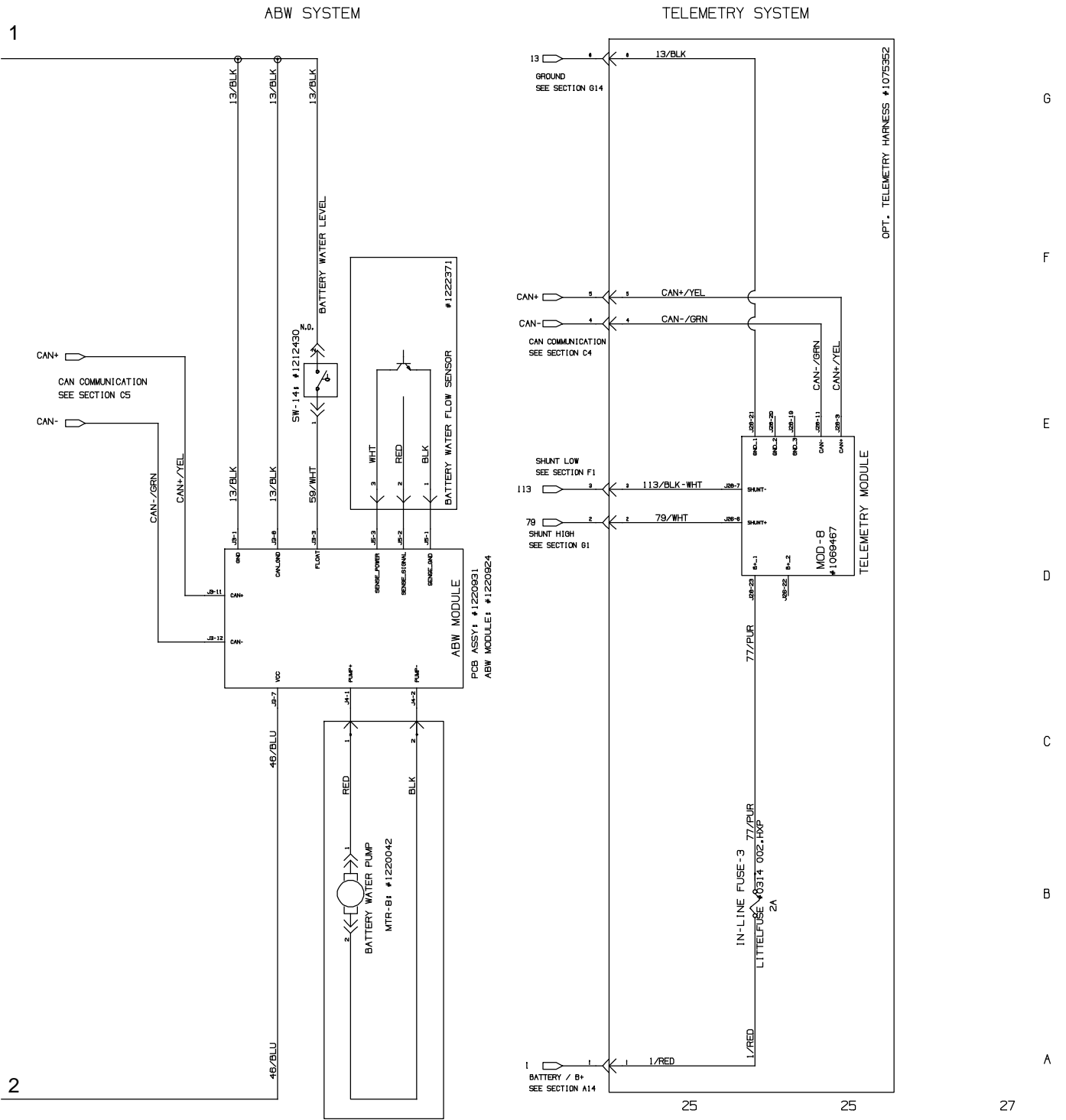
EC-H2O MODULE

1



ELECTRICAL DIAGRAM (PAGE 4 OF 4)

1075167_00



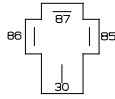
RHINE: 1075167rev-00_T500e
 MAIN HARNESS: 1075312
 OP. STATION HARNESS: 1075313

ELECTRICAL HARNESS, MAIN (PAGE 1 OF 6)

1075312_00

| TO: M2: MAIN RELAY | | TO: M3: VAC FAN RELAY | |
|--------------------|------------|-----------------------|------------|
| WIRE NO. | REF. RELAY | WIRE NO. | REF. RELAY |
| 61/PNK | 30 | 29/WHT | 30 |
| 13H/BLK | 85 | 13J/BLK | 85 |
| 46/BLU | 87 | 15/GRN | 87 |
| 6H/BLU | 86 | 3/ORA | 86 |

BACK VIEW OF "AP".
WHERE WIRES ENTER.



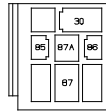
TO: STATIC GND. NO LABEL

TO: M4: SCRUB HEAD ACT. LABEL (1): M4: SCRUB HEAD ACT.

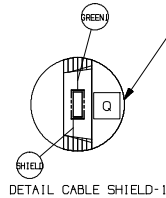
| WIRE NO. | REF. RELAY |
|----------|------------|
| 44/YEL | 30 |
| 40/YAN | 85 |
| 13E/BLK | 87A |
| 43A/ORA | 87 |
| 6E/BLU | 86 |

| WIRE NO. | REF. RELAY |
|----------|------------|
| 45/GRN | 30 |
| 41/PNK | 85 |
| 13F/BLK | 87A |
| 43B/ORA | 87 |
| 6F/BLU | 86 |

TO: M5: SCRUB HEAD ACT. LABEL (1): M5: SCRUB HEAD ACT.

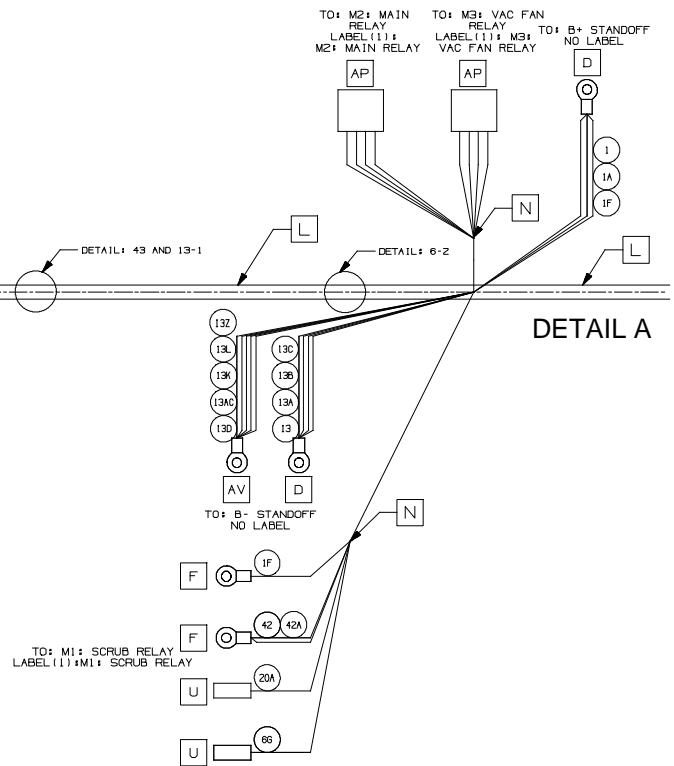


BACK VIEW OF "E".
WHERE WIRES ENTER.



- NOTE:
- REMOVE CABLE COVERING ABOVE THIS POINT.
 - SPLICE SHIELD TO THE SHIELD1/GREEN WIRE.
 - ROUTE THE (4) WIRES UP TO THE SPECIFIED CONNECTORS.
 - COVER THE EXPOSED END OF THE CABLE COVER WITH DEFINED HEATSHRINK.

DETAIL CABLE SHIELD-1



DETAIL A

ELECTRICAL HARNESS, MAIN (PAGE 2 OF 6)

1075312_00

CONTINUED ON PAGE 3 (SHOWN ON BOTH PAGES)

DETAIL C

| M | | Z | |
|----------------|------|----------|------|
| WIRE NO. | POS. | WIRE NO. | POS. |
| CABLE: NATURAL | 1 | 35/GRN | 8 |
| 33/ORA | 2 | 34/YEL | 9 |
| OPEN | 3 | OPEN | 10 |
| 27A/PUR | 4 | OPEN | 11 |
| 38C/GRY | 5 | 36/BLU | 12 |
| OPEN | 6 | 37/PUR | 13 |
| OPEN | 7 | OPEN | 14 |

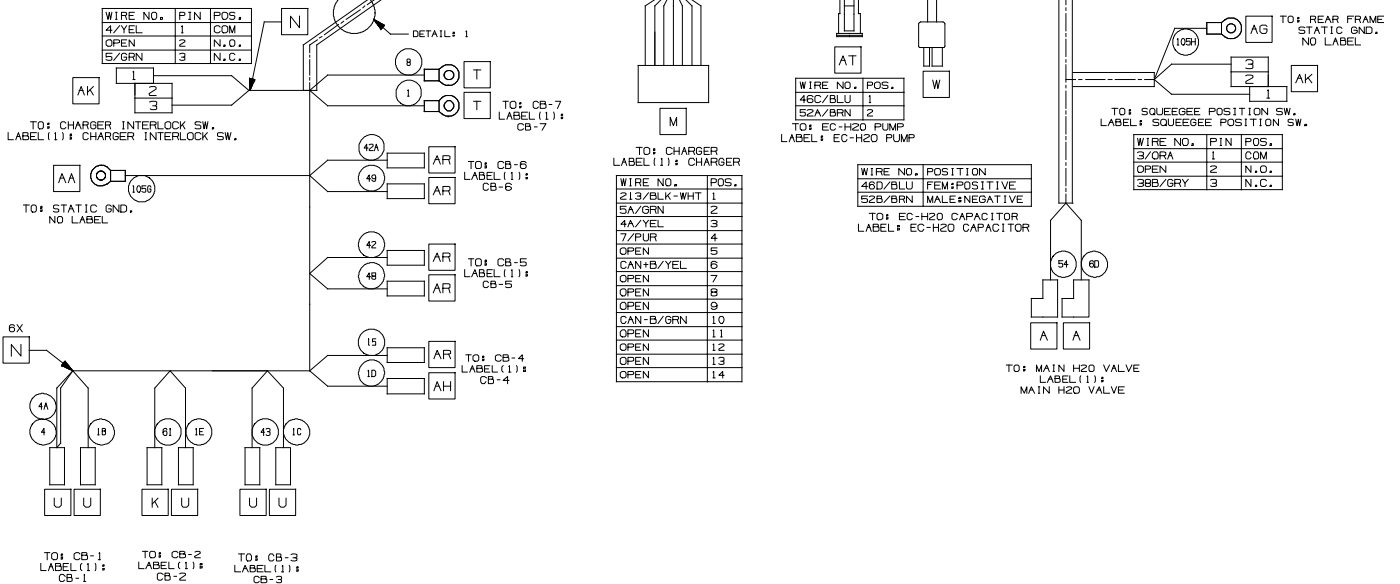
| WIRE NO. | POS. |
|---------------|------|
| SHIELD: GREEN | 1 |
| OPEN | 2 |
| CABLE: RED | 3 |
| CABLE: BLACK | 4 |

DETAIL A - CONTD

DETAIL B

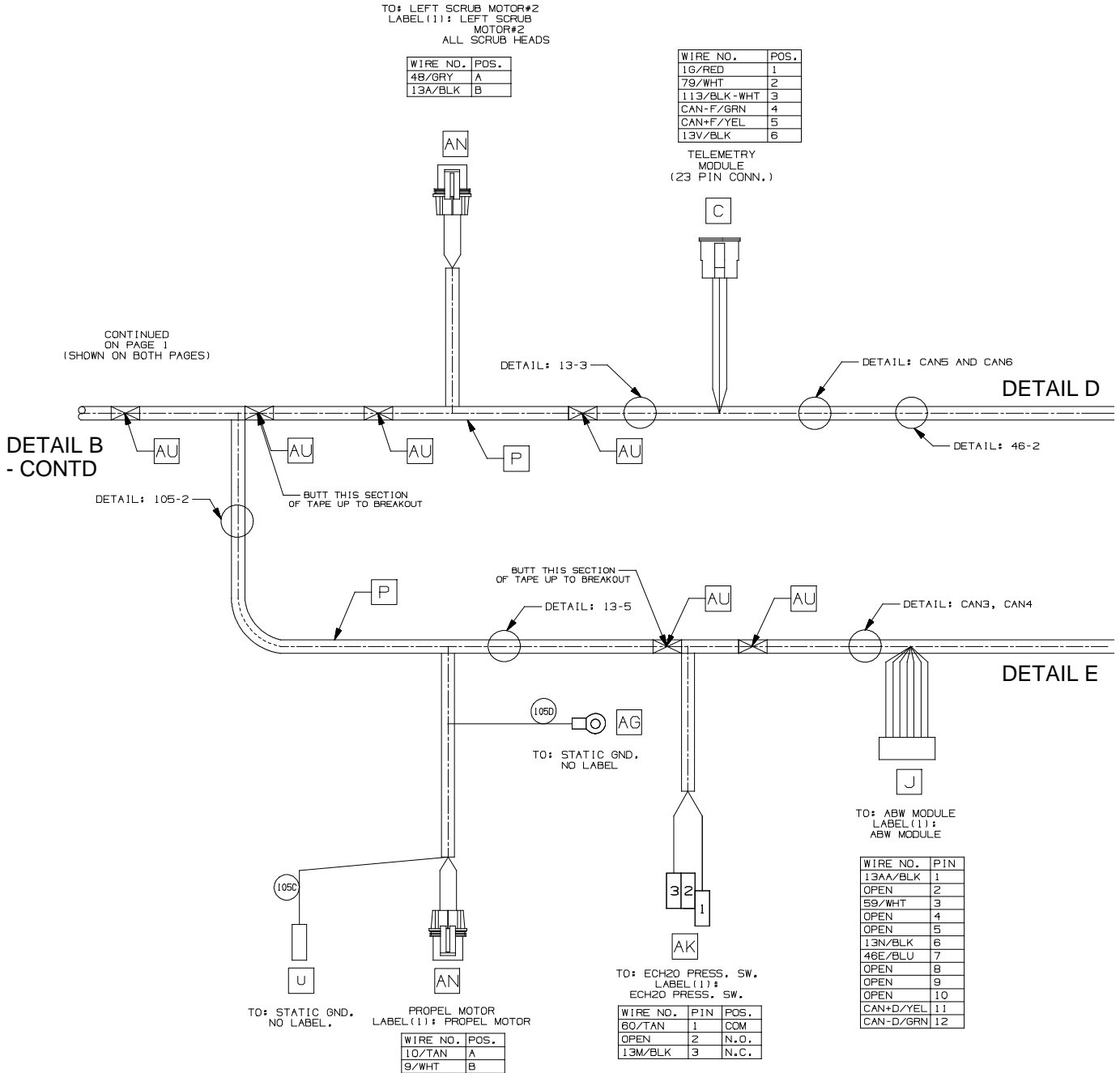
THIS SECTION EXTENDS UPWARD IN THE +Z AXIS DIRECTION.

THIS SECTION EXTENDS DOWNWARD IN THE -Z AXIS DIRECTION. DETAIL B



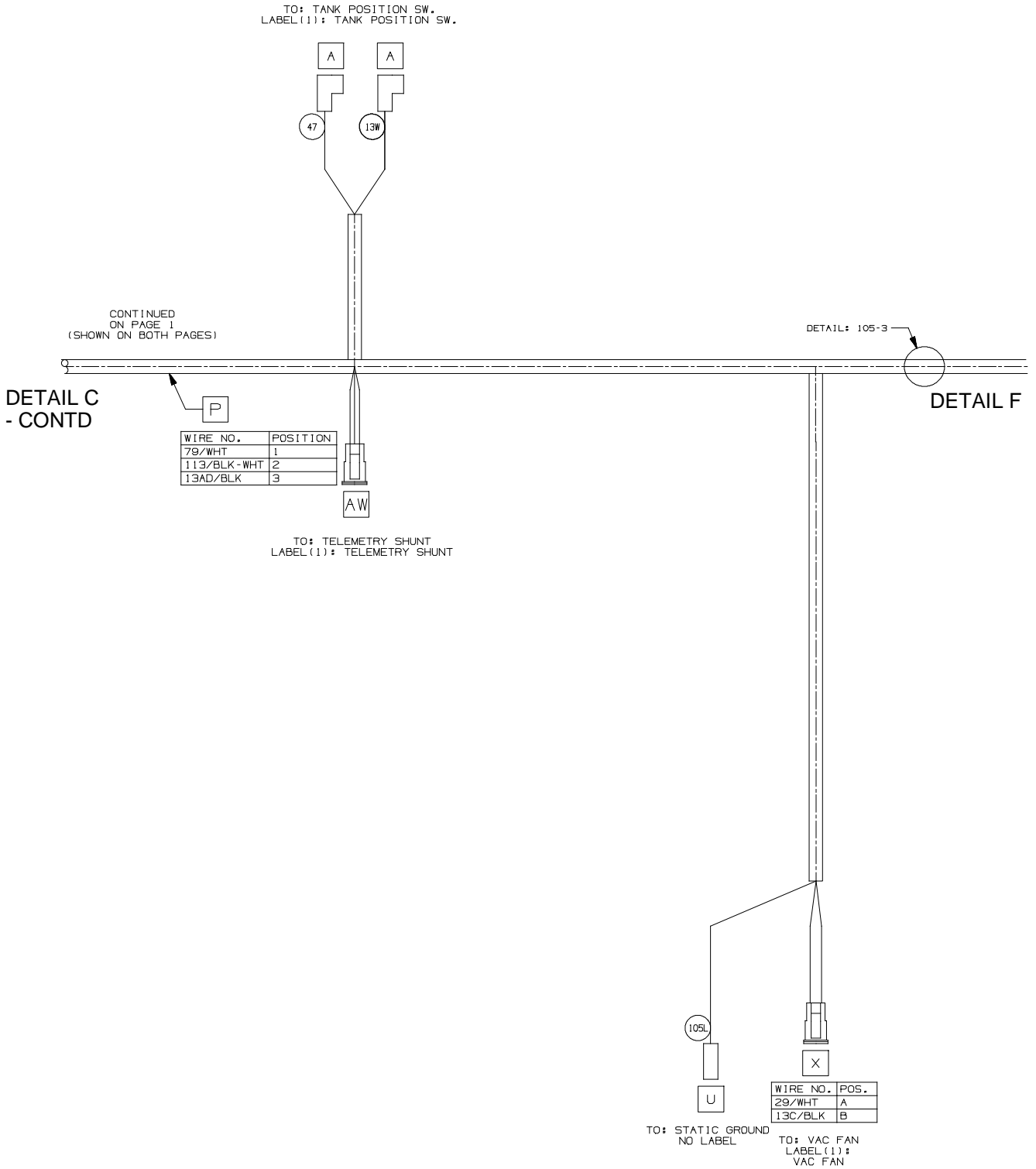
ELECTRICAL HARNESS, MAIN (PAGE 3 OF 6)

10745312_00



ELECTRICAL HARNESS, MAIN (PAGE 5 OF 6)

1075312_00



ELECTRICAL HARNESS, MAIN (PAGE 6 OF 6)

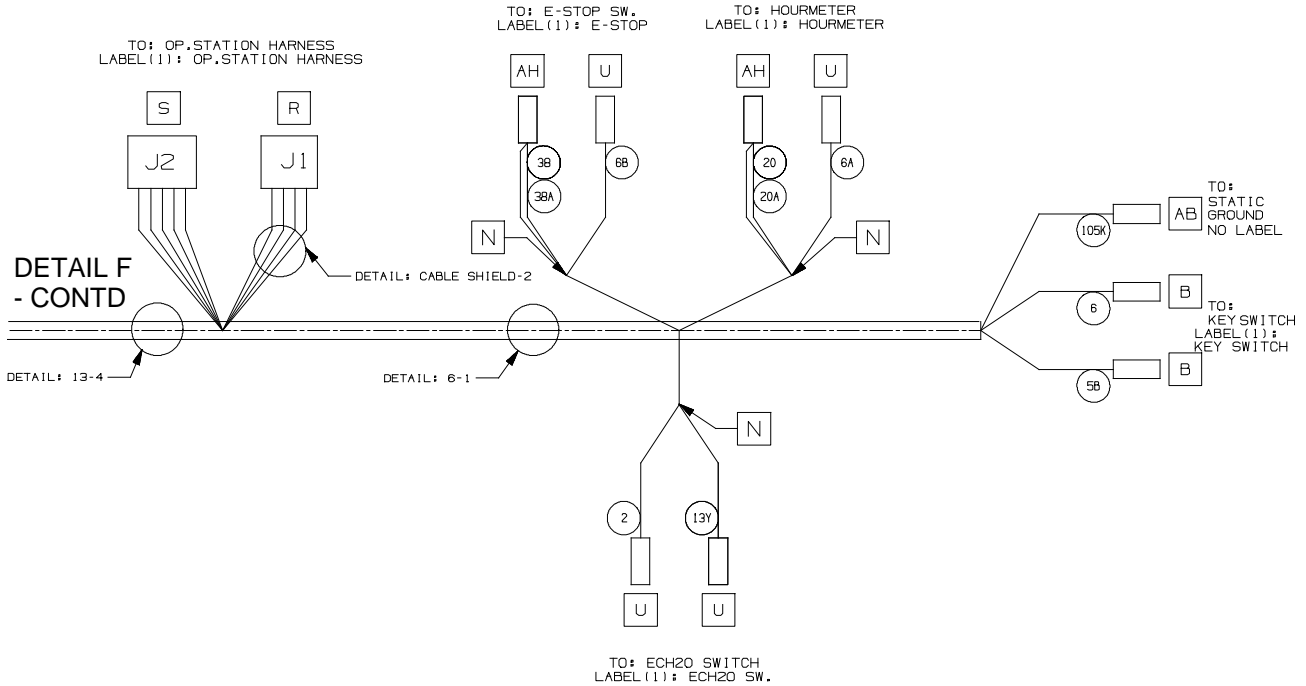
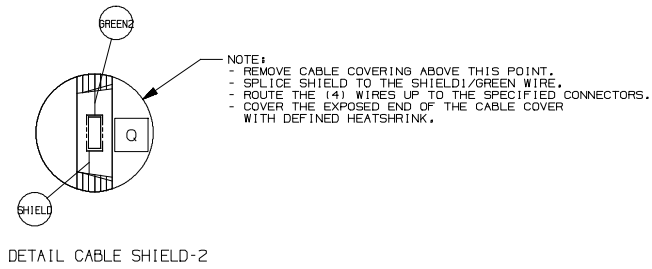
1075312_00

S
J2

| WIRE NO. | POS. |
|-------------|------|
| 213/BLK-WHT | 1 |
| CAN+A/YEL | 2 |
| CAN-A/GRN | 3 |
| 7/PUR | 4 |
| 6C/BLU | 5 |
| 20/TAN | 6 |
| 54/YEL | 7 |
| 40/TAN | 8 |
| 41/PNK | 9 |
| 13X/BLK | 10 |
| 2/BRN | 11 |
| 27/PUR | 12 |
| 18/GRY | 13 |
| 38A/GRY | 14 |
| 47/PUR | 15 |

R
J1

| WIRE NO. | POS. |
|----------------|------|
| 33/DRA | 1 |
| 34/YEL | 2 |
| 35/GRN | 3 |
| 36/BLU | 4 |
| 37/PUR | 5 |
| CABLE:BLACK | 6 |
| CABLE:RED | 7 |
| CABLE:NATURAL | 8 |
| SHIELD2:GREEN2 | 9 |



| | Part No. | Serial Number | Description | Qty. |
|---|----------|-----------------------|-----------------------------|------|
| ▽ | 1075312 | (30000000- 40000000) | Harness, Main, Ele [T500e] | 1 |
| ▲ | 49309 | (30000000- 40000000) | Relay, 24vdc, 015a, Spdt No | 2 |

▽ ASSEMBLY

▲ INCLUDED IN ASSEMBLY

ELECTRICAL HARNESS, OPERATOR STATION

1075313_00

TO: REVERSE SWITCH
 LABEL: REV. SW.

| WIRE NO. | POS. |
|----------|------|
| 36/BLU | 1 |
| 37/PUR | 2 |

H

TO: SPEED POTENTIOMETER
 LABEL: SPEED POT.

| WIRE NO. | POS. |
|----------|------|
| 33/ORA | 1 |
| 34/YEL | 2 |
| 35/GRN | 3 |

G

TO: USER INTERFACE MODULE
 NO LABELS

| WIRE NO. | POS. |
|----------|------|
| 38/GRY | 1 |
| OPEN | 2 |
| 2/BRN | 3 |
| 47/PUR | 4 |
| 40/TAN | 5 |
| 41/PNK | 6 |
| 20/TAN | 7 |
| 13/BLK | 8 |
| 7/PUR | 9 |
| 6/BLU | 10 |

J

CONN. J7

CONN. J5

| WIRE NO. | POS. |
|----------------|------|
| SHIELD1/ GREEN | 1 |
| CABLE: NATURAL | 2 |
| CABLE: RED | 3 |
| CABLE: BLACK | 4 |

D

DETAIL: SHIELD-1
 (LOCATED WITHIN 75MM OF CONNECTOR "D".)

CONN. J3

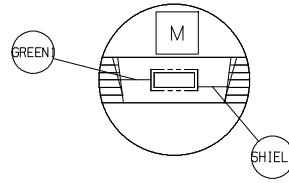
| WIRE NO. | POS. |
|-------------|------|
| CAN+/YEL | 1 |
| CAN-/GRN | 2 |
| 113/BLK-WHT | 3 |
| OPEN | 4 |

B

CONN. J10

| WIRE NO. | POS. |
|----------|------|
| 18/GRY | 1 |
| OPEN | 2 |
| 27/PUR | 3 |
| OPEN | 4 |
| OPEN | 5 |
| 54/YEL | 6 |
| OPEN | 7 |
| OPEN | 8 |

A

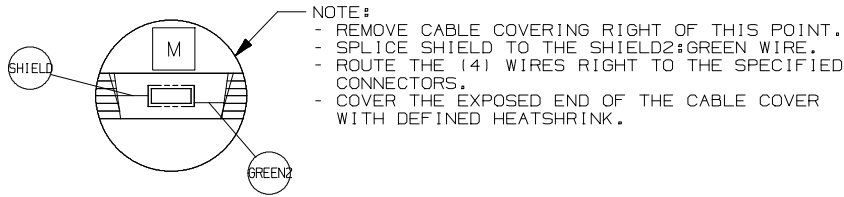


DETAIL CABLE SHIELD-1

DETAIL A

ELECTRICAL HARNESS, OPERATOR STATION

1075313_00

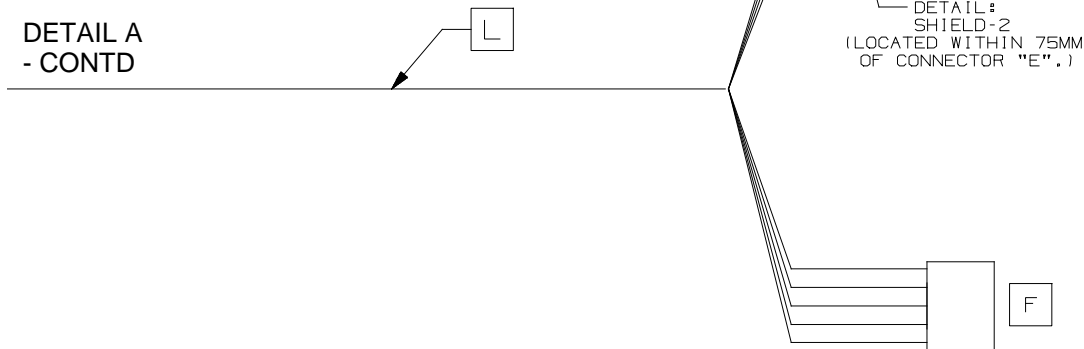


DETAIL CABLE SHIELD-2

TO: MAIN HARNESS
NO LABEL

| WIRE NO. | POS. |
|---------------|------|
| 33/ORA | 1 |
| 34/YEL | 2 |
| 35/GRN | 3 |
| 36/BLU | 4 |
| 37/PUR | 5 |
| CABLE:BLK | 6 |
| CABLE:RED | 7 |
| CABLE:NATURAL | 8 |
| SHIELD2:GREEN | 9 |

DETAIL A
- CONTD



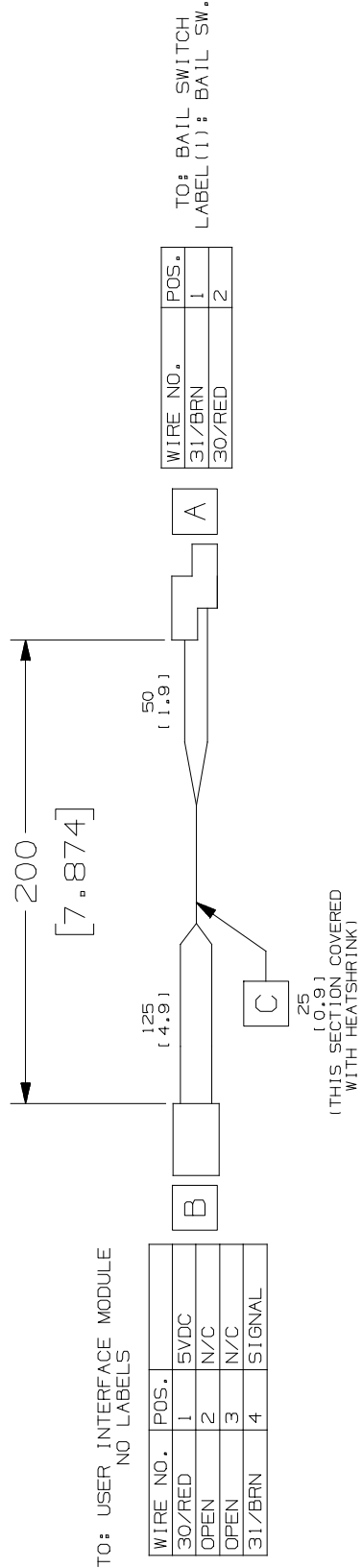
TO: MAIN HARNESS.
NO LABEL

| WIRE NO. | POS. |
|-------------|------|
| 113/BLK-WHT | 1 |
| CAN+/YEL | 2 |
| CAN-/GRN | 3 |
| 7/PUR | 4 |
| 6/BLU | 5 |
| 20/TAN | 6 |
| 54/YEL | 7 |
| 40/TAN | 8 |
| 41/PNK | 9 |
| 13/BLK | 10 |
| 2/BRN | 11 |
| 27/PUR | 12 |
| 18/GRY | 13 |
| 38/GRY | 14 |
| 47/PUR | 15 |

| Part No. | Serial Number | Description | Qty. |
|----------|-----------------------|-----------------------------------|------|
| 1075313 | (30000000- 40000000) | Harness, Ele [Op. Station, T500e] | 1 |

ELECTRICAL HARNESS, BAIL SWITCH

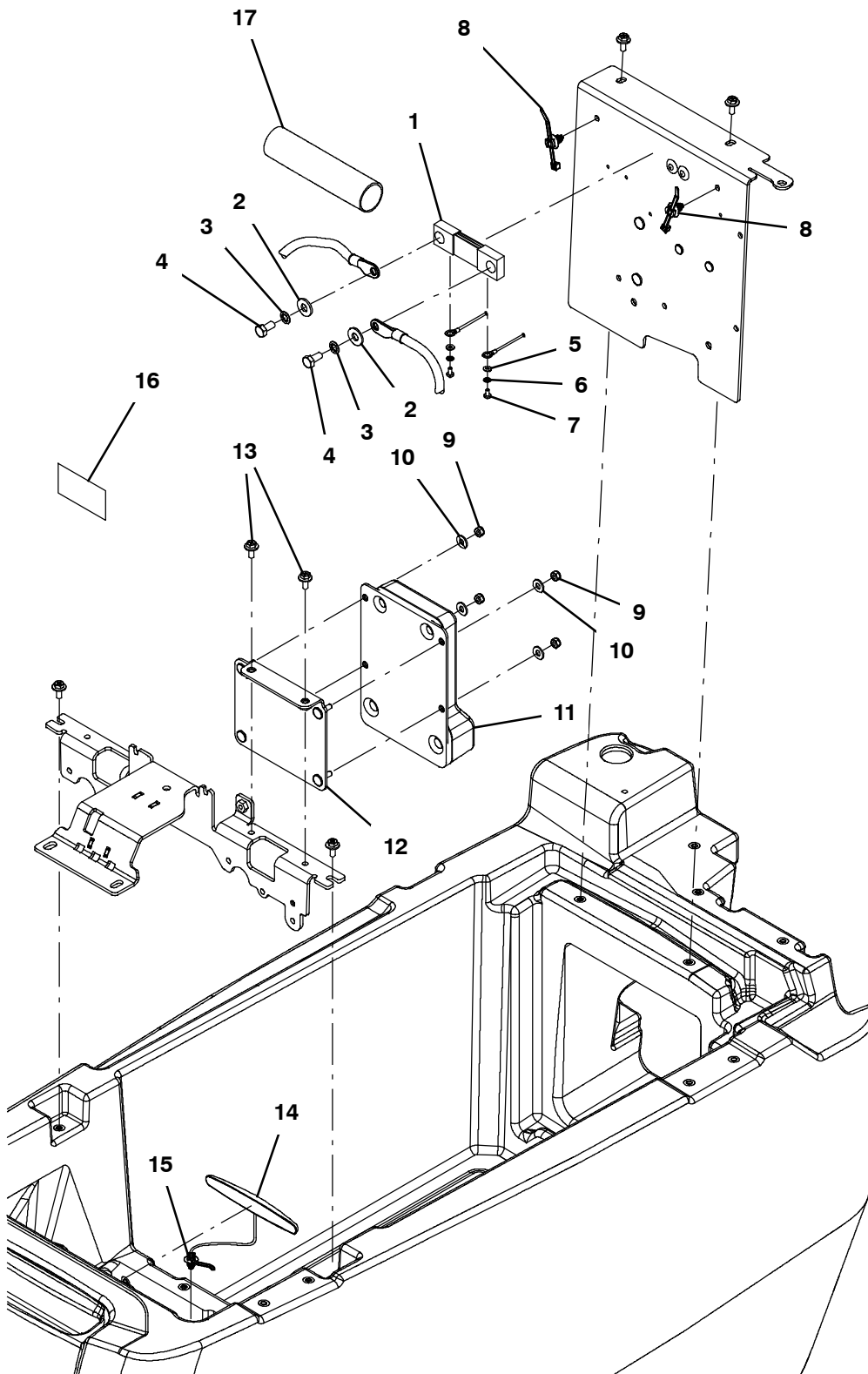
1072524_00



| Part No. | Serial Number | Description | Qty. |
|----------|-----------------------|----------------------------|------|
| 1072524 | (30000000- 40000000) | Harness, Ele [Bail Switch] | 1 |

TELEMETRY ELECTRICAL GROUP

355466

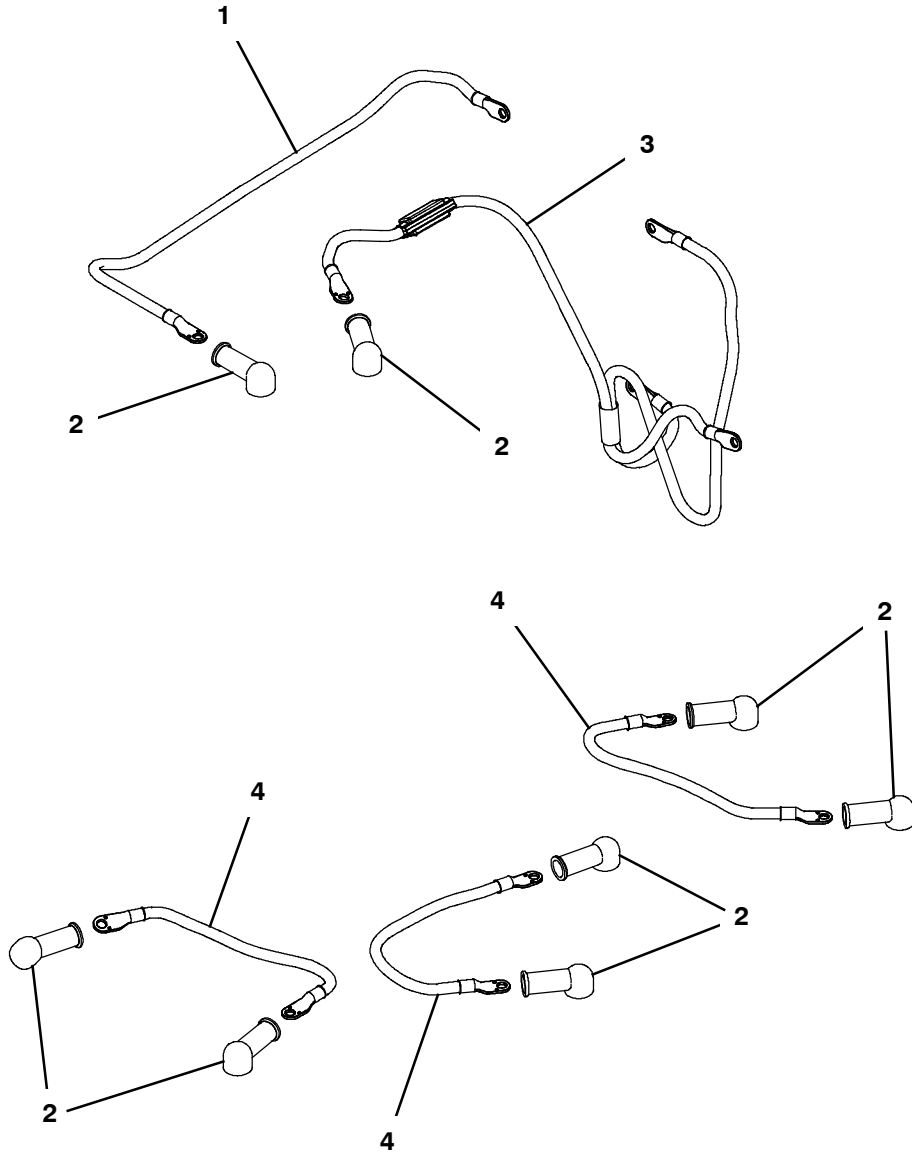


TELEMETRY ELECTRICAL GROUP

| Ref. | Part No. | Serial Number | Description | Qty. |
|------|----------|-----------------------|--|------|
| 1 | 1217304 | (30000000- 40000000) | Shunt [Empro, 250amp/50mv, Metric] | 1 |
| 2 | 01685 | (30000000- 40000000) | Washer, Flat, 0.38b 0.88d .08, Ss | 2 |
| 3 | 43952 | (30000000- 40000000) | Washer, Lock, Int, 0.31, Ss | 2 |
| 4 | 15675 | (30000000- 40000000) | Screw, Hex, M8 X 1.25 X 16, Ss | 2 |
| 5 | 41578 | (30000000- 40000000) | Washer, Flat, 06, Ss | 2 |
| 6 | 02938 | (30000000- 40000000) | Washer, Lock, Int, 08, Ss | 2 |
| 7 | 391403 | (30000000- 40000000) | Screw, Pan, Phl, M4 X 0.70 X 8, Ss | 2 |
| 8 | 1210807 | (30000000- 40000000) | Wire, Tie [W/.25" Fir Tree Clip] | 2 |
| 9 | 08712 | (30000000- 40000000) | Nut, Hex, Lock, M6 X 1.00, NI, Ss | 4 |
| 10 | 32483 | (30000000- 40000000) | Washer, Flat, 0.25, Sae | 4 |
| 11 | 9010086 | (30000000- 40000000) | Control Box Assy Kit, Rplmt, Telem[Intl] | 1 |
| 12 | 1225123 | (30000000- 40000000) | Bracket Wldt, Control Box | 1 |
| 13 | 1034731 | (30000000- 40000000) | Screw, Hex, M6 X 1.00 X 16, Sems, Ss | 2 |
| 14 | 315724 | (30000000- 40000000) | Antenna, Telem, 18.0 In [Gprs] | 1 |
| 15 | 1210807 | (30000000- 40000000) | Wire, Tie [W/.25" Fir Tree Clip] | 1 |
| 16 | 1069580 | (30000000- 40000000) | Label, Mach, Telem [Usa, Intl] | 1 |
| 17 | 1217818 | (30000000- 40000000) | Sleeve, Heatshrink, 1.50id, 07.0l | 1 |

TELEMETRY BATTERY CABLES GROUP

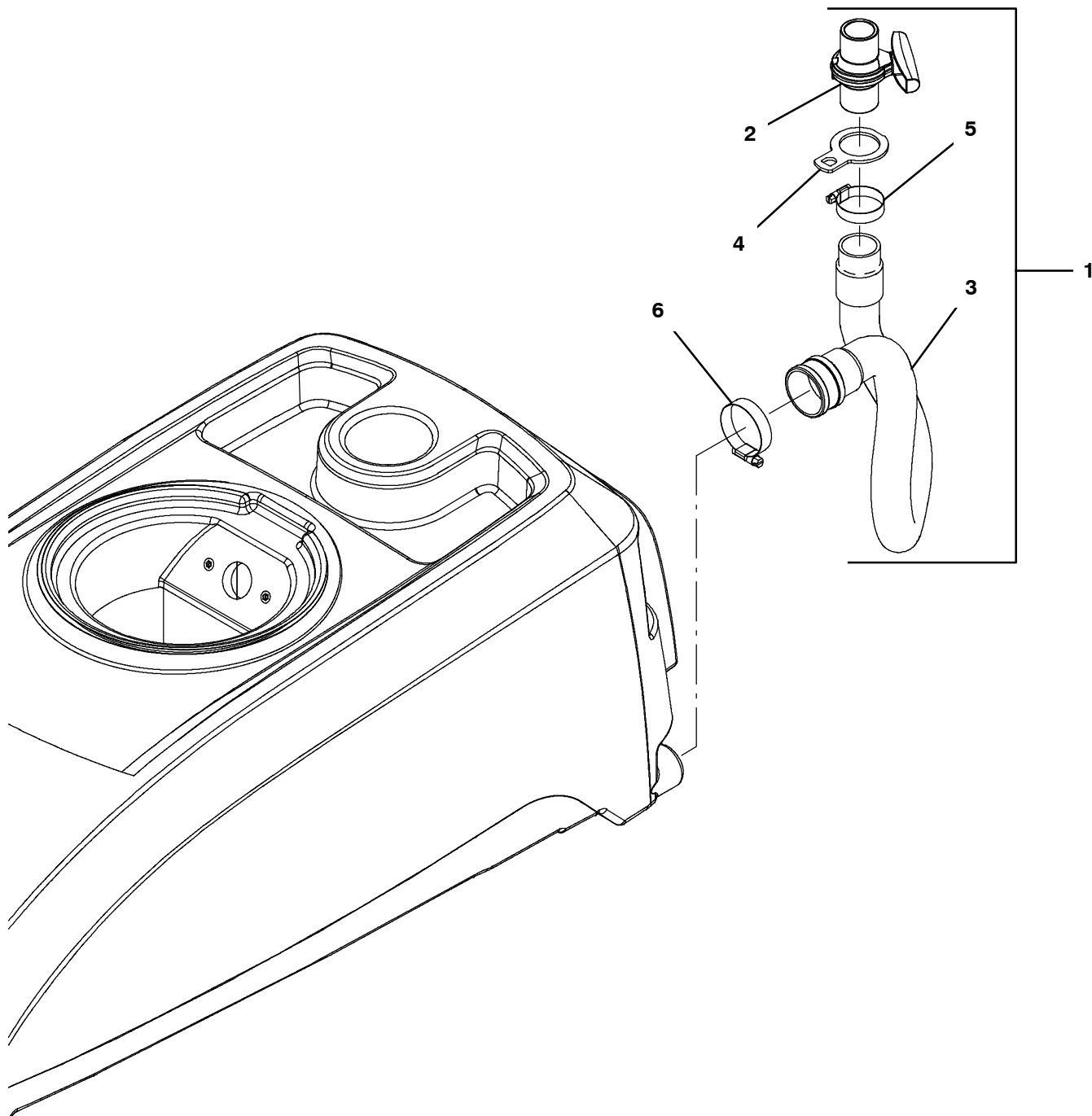
355464



| Ref. | Part No. | Serial Number | Description | Qty. |
|------|----------|-----------------------|---|------|
| 1 | 1070498 | (30000000- 40000000) | Cable, 4ga, Blk [6200e, Telemetry] | 1 |
| 2 | 611221 | (30000000- 40000000) | Boot, Terminal, Battery, 25.4mm, Blk | 8 |
| 3 | 1074942 | (30000000- 40000000) | Cable, Assy [T500,T500e] | 1 |
| 4 | 1073680 | (30000000- 40000000) | Cable, 04ga 15.0l Blk [M8 Ring/M8 Ring] | 3 |

CONTROL VALVE DRAIN HOSE GROUP

355494



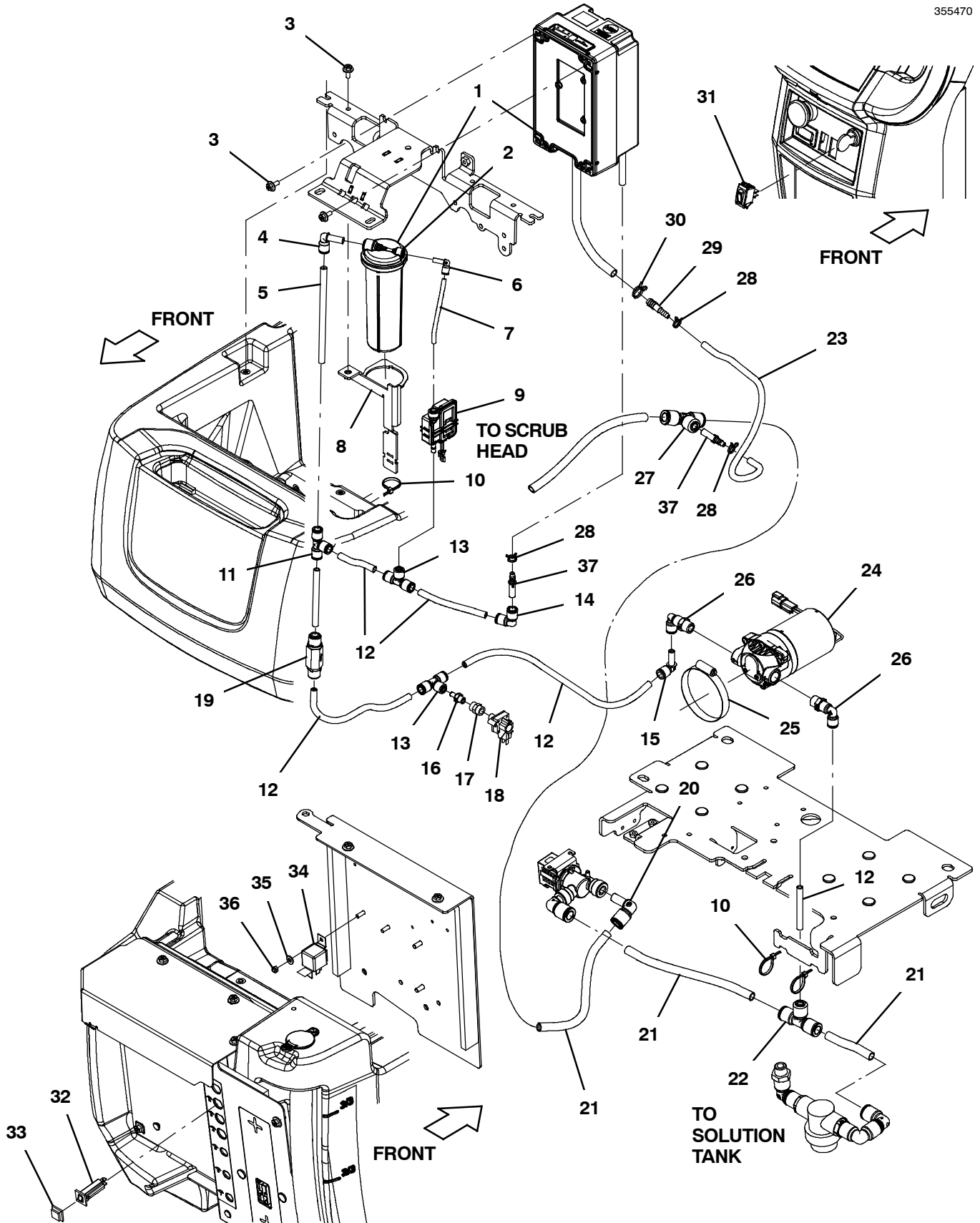
| Ref. | Part No. | Serial Number | Description | Qty. |
|------|----------|---------------|---|------|
| ▽ | 1 | 9015727 | (30000000- 40000000) Hose Kit, Drain, Pu, W/ Valve, Ci[T500e] (Gray) | 1 |
| ▲ | 2 | 1051986 | (30000000- 40000000) Valve, Ball, 2way, 1.0id Pvc, W/Handle | 1 |
| ▲ | 3 | 1228335 | (30000000- 40000000) Hose Assy, W/2cuff,1.5d 022l 2.0/1.5[Pu] (Gray) | 1 |
| ▲ | 4 | 1229567 | (30000000- 40000000) Strap, Hanger | 1 |
| ▲ | 5 | 11531 | (30000000- 40000000) Clamp, Hose, Wormdrive, 1.06- 2.00d, .56w | 1 |
| | 6 | 22297 | (30000000- 40000000) Clamp, Hose, Wormdrive, 1.56- 2.50d, .50w | 1 |

▽ ASSEMBLY

▲ INCLUDED IN ASSEMBLY

ec-H2O SOLUTION GROUP

355470



ec-H2O SOLUTION GROUP

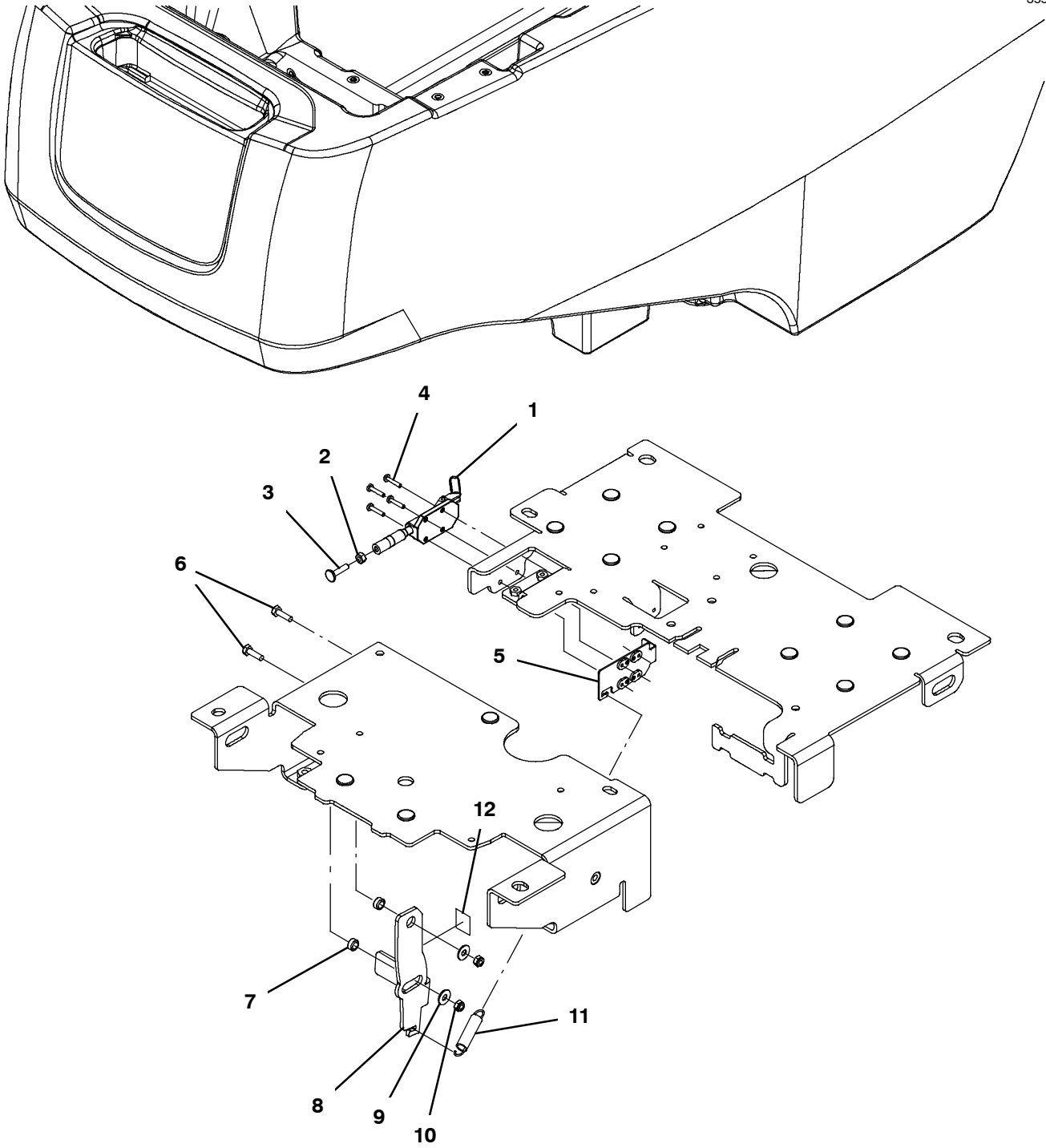
| Ref. | Part No. | Serial Number | Description | Qty. |
|------|----------|---------------|---|------|
| ▽ | 1 | 9011810 | (30000000- 40000000) Module Kit, Replmt [Ec- H2o, B 02] (See Breakdowns) | 1 |
| ▲ | 2 | 9013646 | (30000000- 40000000) Cartridge, Ec- H2o Nanoclean Wcm, 270ml | 1 |
| | 3 | 1034731 | (30000000- 40000000) Screw, Hex, M6 X 1.00 X 16, Sems, Ss | 4 |
| | 4 | 1215186 | (30000000- 40000000) Fitting, Plstc, E90, Qf06/Qm06 | 1 |
| | 5 | 9014146 | (30000000- 40000000) Hose, Afrmkt, Pvc, 0.06id .38od, 05ft | 1 |
| | 6 | 1214339 | (30000000- 40000000) Fitting, Plstc, E90, Qfo4/Qm04 | 1 |
| | 7 | 9014147 | (30000000- 40000000) Hose, Afrmkt, Pvc, 0.06id .25od, 05ft | 1 |
| | 8 | 1221926 | (30000000- 40000000) Bracket Wldt, Mtg, Ec- H20 [T500] | 1 |
| | 9 | 1216973 | (30000000- 40000000) Pump Assy, Dispenser | 1 |
| | 10 | 130773 | (30000000- 40000000) Tie, Cable, Nyl, 11.0l, .14w, 3.0 Max. D | 3 |
| | 11 | 1212573 | (30000000- 40000000) Fitting, Plstc, Tee, Qf06/Qf06/Qf06 | 1 |
| | 12 | 9014148 | (30000000- 40000000) Hose, Afrmkt, Nat, 0.25id 0.375od, 06ft | 1 |
| | 13 | 1212855 | (30000000- 40000000) Fitting, Plstc, Tee, Qf04/Qf06/Qf06 | 2 |
| | 14 | 1212856 | (30000000- 40000000) Fitting, Plstc, E90, Qf06/Qf06 | 1 |
| | 15 | 1215186 | (30000000- 40000000) Fitting, Plstc, E90, Qf06/Qm06 | 1 |
| | 16 | 1216185 | (30000000- 40000000) Fitting, Plstc, Str, Qm04/Pm02 | 1 |
| | 17 | 150307 | (30000000- 40000000) Fitting, Brs, Cplg, Pf02/Pf02 | 1 |
| | 18 | 1044414 | (30000000- 40000000) Switch, Press, 15psi, Pm02 | 1 |
| | 19 | 1215527 | (30000000- 40000000) Valve, Check, 1.0 Psi Qf06/Qf06 | 1 |
| | 20 | 1212809 | (30000000- 40000000) Fitting, Plstc, E90, Qf08/Qm08 | 1 |
| | 21 | 9014145 | (30000000- 40000000) Hose, Afrmkt, Pe, .375id .50od, 05ft | 1 |
| | 22 | 1212875 | (30000000- 40000000) Fitting, Plstc, Tee, Qf06/Qf08/Qf08 | 1 |
| | 23 | 1014985 | (30000000- 40000000) Hose, Afrmkt, Pvc, Clr, 0.25id, 08ft | 1 |
| | 24 | 1210517 | (30000000- 40000000) Pump, Soltn, Ele, 24vdc, 35 Psi | 1 |
| | 25 | 43555 | (30000000- 40000000) Clamp, Hose, Wormdrive, 2.62- 3.50d | 1 |
| | 26 | 1212812 | (30000000- 40000000) Fitting, Plstc, E90, Qf06/Pm06, Swivel | 2 |
| | 27 | 1212875 | (30000000- 40000000) Fitting, Plstc, Tee, Qf06/Qf08/Qf08 | 1 |
| | 28 | 613735 | (30000000- 40000000) Clamp, Hose, Wir, .40 - .42, Yel | 3 |
| | 29 | 1039557 | (30000000- 40000000) Fitting, Plstc, Str, Bm04/Bm06 | 1 |
| | 30 | 607775 | (30000000- 40000000) Clamp, Hose, Wir, .63 - .66, Blk | 1 |
| | 31 | 1044393 | (30000000- 40000000) Switch, Rocker, Spst, Mom | 1 |
| | 32 | 1064187 | (30000000- 40000000) Circuitbreaker, 10.0a, Resetable | 1 |
| | 33 | 1064191 | (30000000- 40000000) Boot, Circuitbreaker | 1 |
| | 34 | 1228510 | (30000000- 40000000) Relay, 24vdc, 80a, Spst No, Plug- In | 1 |
| | 35 | 01683 | (30000000- 40000000) Washer, Flat, 10, Ss | 1 |
| | 36 | 09739 | (30000000- 40000000) Nut, Hex, Lock, M5 X 0.80, NI, Ss | 1 |
| | 37 | 1212857 | (30000000- 40000000) Fitting, Plstc, Str, Qm06/Bm04 | 2 |

▽ ASSEMBLY

▲ INCLUDED IN ASSEMBLY

PARKING BRAKE GROUP

355496

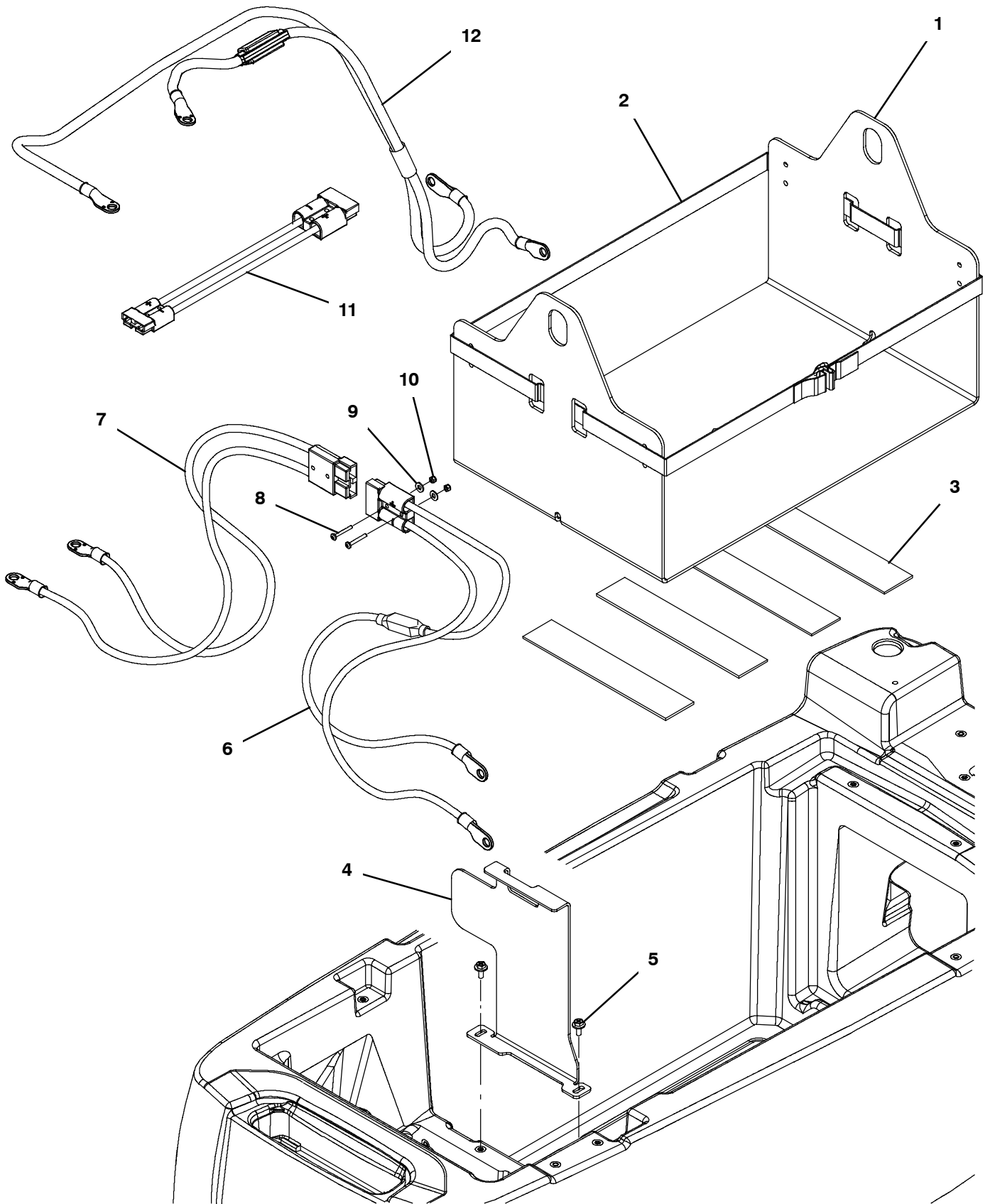


PARKING BRAKE GROUP

| Ref. | Part No. | Serial Number | Description | Qty. |
|-------------|-----------------|-----------------------|---------------------------------------|-------------|
| 1 | 1221694 | (30000000- 40000000) | Clamp, Brake, Parking [T500] | 1 |
| 2 | 07785 | (30000000- 40000000) | Nut, Hex, Std, M6 X 1.00, Ss | 1 |
| 3 | 1017416 | (30000000- 40000000) | Screw, Weld, M6 X 1.00 X 25, Thru, Ss | 1 |
| 4 | 12323 | (30000000- 40000000) | Screw, Pan, Phl, M4 X 0.70 X 20, Ss | 4 |
| 5 | 1221695 | (30000000- 40000000) | Plate Wldt, Brake [T500] | 1 |
| 6 | 08716 | (30000000- 40000000) | Screw, Hex, M6 X 1.00 X 20, Ss | 2 |
| 7 | 360801 | (30000000- 40000000) | Sleeve, 0.32b 0.50d 0.3l, 2cham, Ss | 2 |
| 8 | 1221423 | (30000000- 40000000) | Shoe, Brake, Parking | 1 |
| 9 | 01684 | (30000000- 40000000) | Washer, Flat, 0.27b 0.69d .05, Ss | 2 |
| 10 | 08712 | (30000000- 40000000) | Nut, Hex, Lock, M6 X 1.00, NI, Ss | 2 |
| 11 | 75575 | (30000000- 40000000) | Spring, Extn, 0.50od 0.06wir 02.5l | 1 |
| 12 | 1224990 | (30000000- 40000000) | Label, Opertnl, Parking Brake | 1 |

BATTERY BOX LIFT OUT GROUP

355501

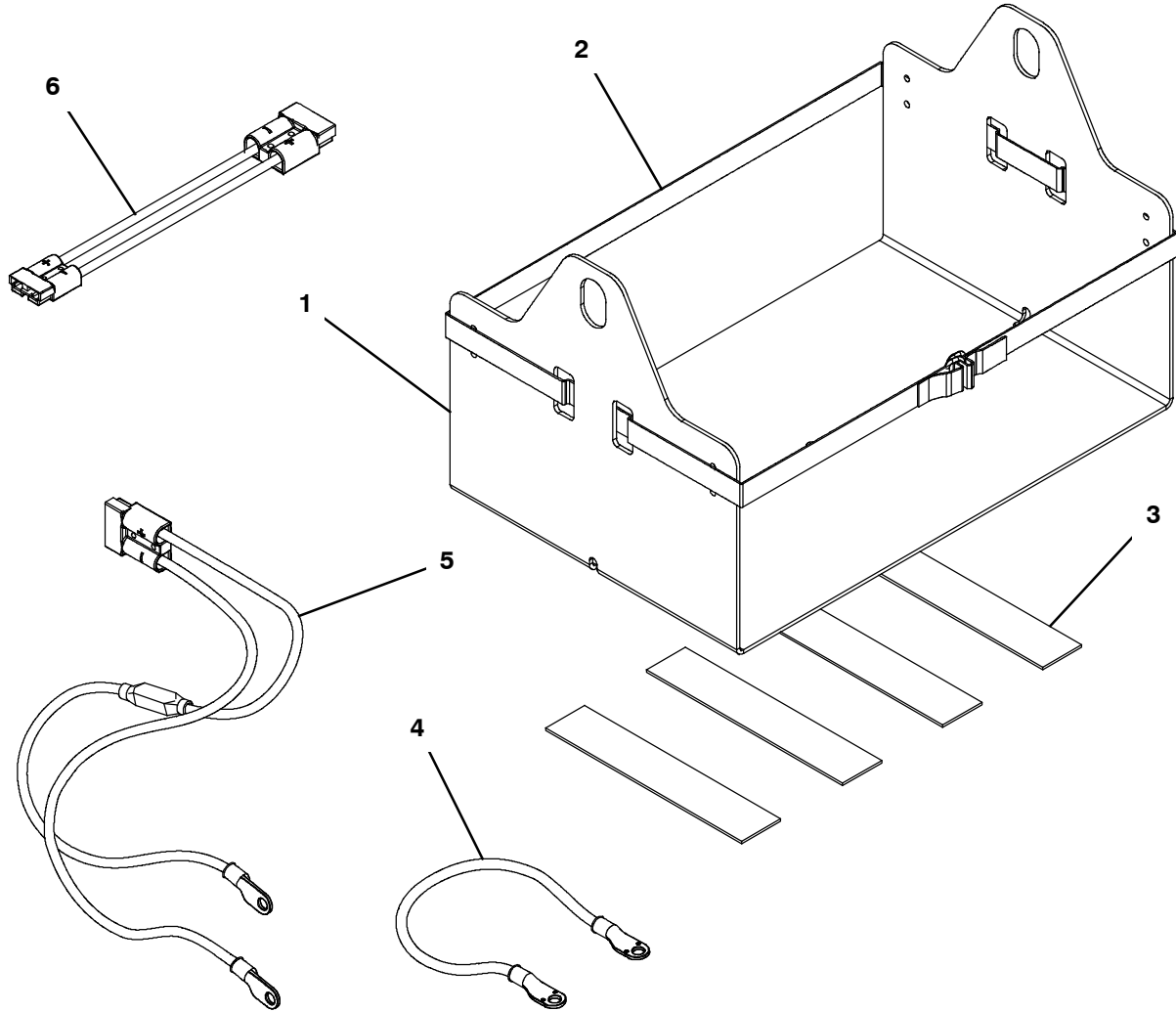


BATTERY BOX LIFT OUT GROUP

| Ref. | Part No. | Serial Number | Description | Qty. |
|------|----------|-----------------------|---|------|
| 1 | 1218564 | (30000000- 40000000) | Box, Battery [Lift- Out] | 1 |
| 2 | 1218566 | (30000000- 40000000) | Strap, Pyp, Buckle, Friction, 80.7l | 1 |
| 3 | 1212689 | (30000000- 40000000) | Pad, Box, Battery | 4 |
| 4 | 1220341 | (30000000- 40000000) | Bracket, Deflector, Battery | 1 |
| 5 | 1034731 | (30000000- 40000000) | Screw, Hex, M6 X 1.00 X 16, Sems, Ss | 2 |
| 6 | 1075214 | (30000000- 40000000) | Cable, Battery, Fuse [Sb120, 100a] | 1 |
| 7 | 1073629 | (30000000- 40000000) | Cable, Battery, 4ga [M8 Ring/M8 Ring] | 1 |
| 8 | 33931 | (30000000- 40000000) | Screw, Pan, Phl, M4 X 0.70 X 30, Ss | 2 |
| 9 | 01683 | (30000000- 40000000) | Washer, Flat, 10, Ss | 2 |
| 10 | 33932 | (30000000- 40000000) | Nut, Hex, Lock, M4 X 0.70, NI, Ss | 2 |
| 11 | 1074798 | (30000000- 40000000) | Cable, Adaptor, Batt [Sb120- Sb50, Red] | 1 |
| 12 | 1074942 | (30000000- 40000000) | Cable, Assy [T500,T500e] | 1 |

EXTRA BATTERY BOX LIFT OUT KIT

355533



| Ref. | Part No. | Serial Number | Description | Qty. |
|------|----------|-----------------------|---|------|
| ▽ | 9015763 | (30000000- 40000000) | Box Kit, Lift, Batt, Am [T500e] (See Note Below) | 1 |
| ▲ | 1 | 1218564 | (30000000- 40000000) Box, Battery [Lift-Out] | 1 |
| ▲ | 2 | 1218566 | (30000000- 40000000) Strap, Pyp, Buckle, Friction, 80.7l | 1 |
| ▲ | 3 | 1212689 | (30000000- 40000000) Pad, Box, Battery | 4 |
| ▲ | 4 | 1073680 | (30000000- 40000000) Cable, 04ga 15.0l Blk [M8 Ring/M8 Ring] | 1 |
| ▲ | 5 | 1075214 | (30000000- 40000000) Cable, Battery, Fuse [Sb120, 100a] | 1 |
| ▲ | 6 | 1074798 | (30000000- 40000000) Cable, Adaptor, Batt [Sb120- Sb50, Red] | 1 |

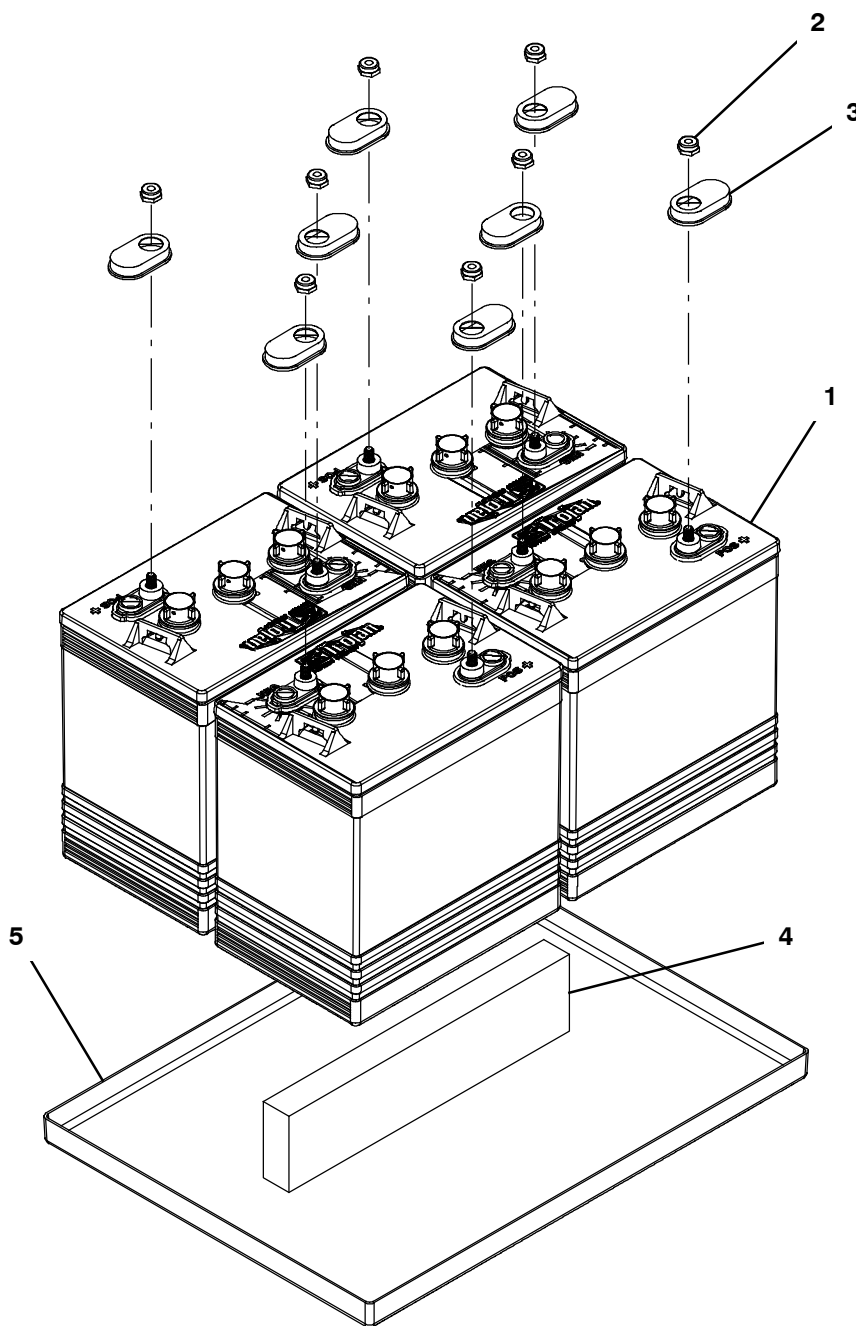
NOTE: KIT CAN ONLY BE USED ON MACHINES WITH BATTERY BOX LIFT OUT ALREADY INSTALLED.

▽ ASSEMBLY

▲ INCLUDED IN ASSEMBLY

BATTERY GROUP, WET 240AH

355448



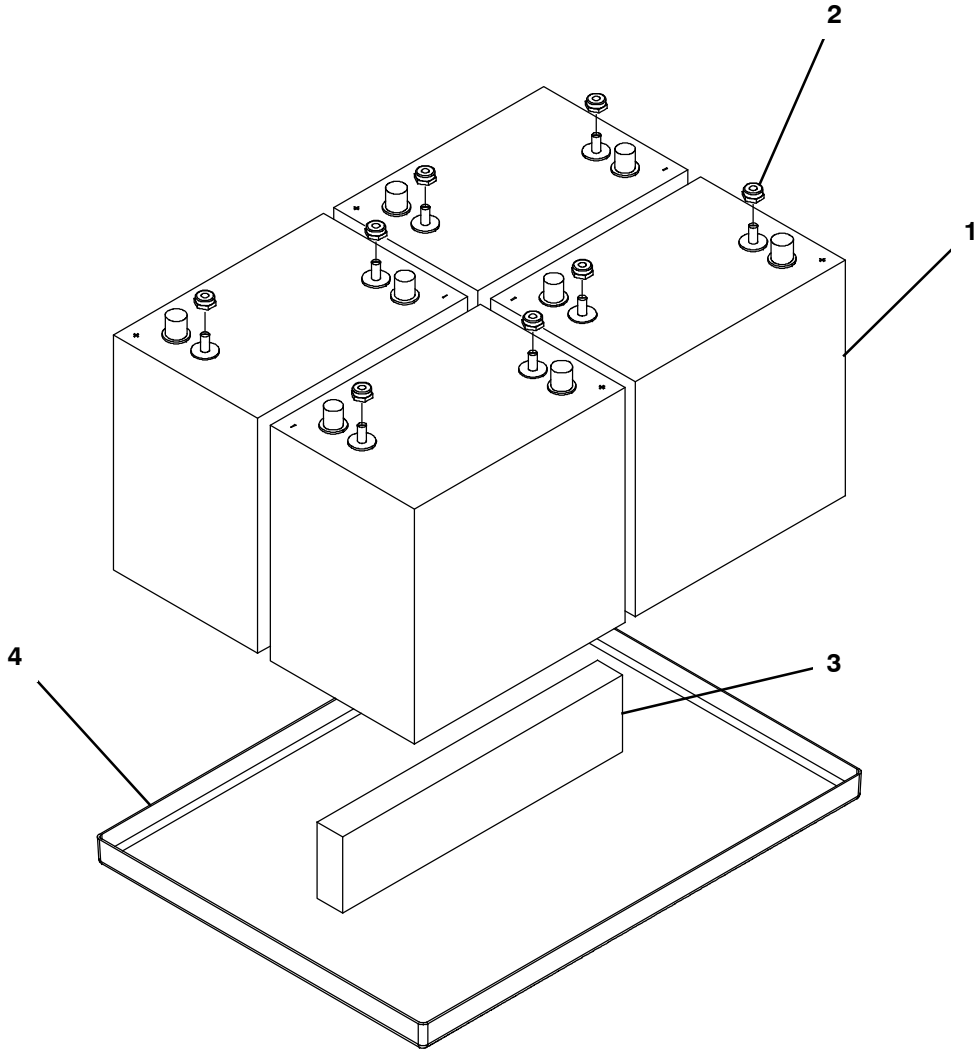
| Ref. | Part No. | Serial Number | Description | Qty. |
|------|----------|---------------|--|------|
| ▽ | 1 | 222280 | (30000000- 40000000) Battery, Wet, 06vdc 0240ah | 4 |
| ▲ | 2 | 87435 | (30000000- 40000000) Nut, Hex, Flexlock, .31- 18 | 2 |
| ▲ | 3 | 1041030 | (30000000- 40000000) Cap, Battery, Black [For 155ah] | 2 |
| | 4 | 630375 | (30000000- 40000000) Spacer, Battery, Foam, 1.25 X 3.3 X 13.7 | 1 |
| | 5 | 1222318 | (30000000- 40000000) Tray, Battery, Trimmed [T500, Thick] | 1 |

▽ ASSEMBLY

▲ INCLUDED IN ASSEMBLY

BATTERY GROUP, AGM 220AH

355450



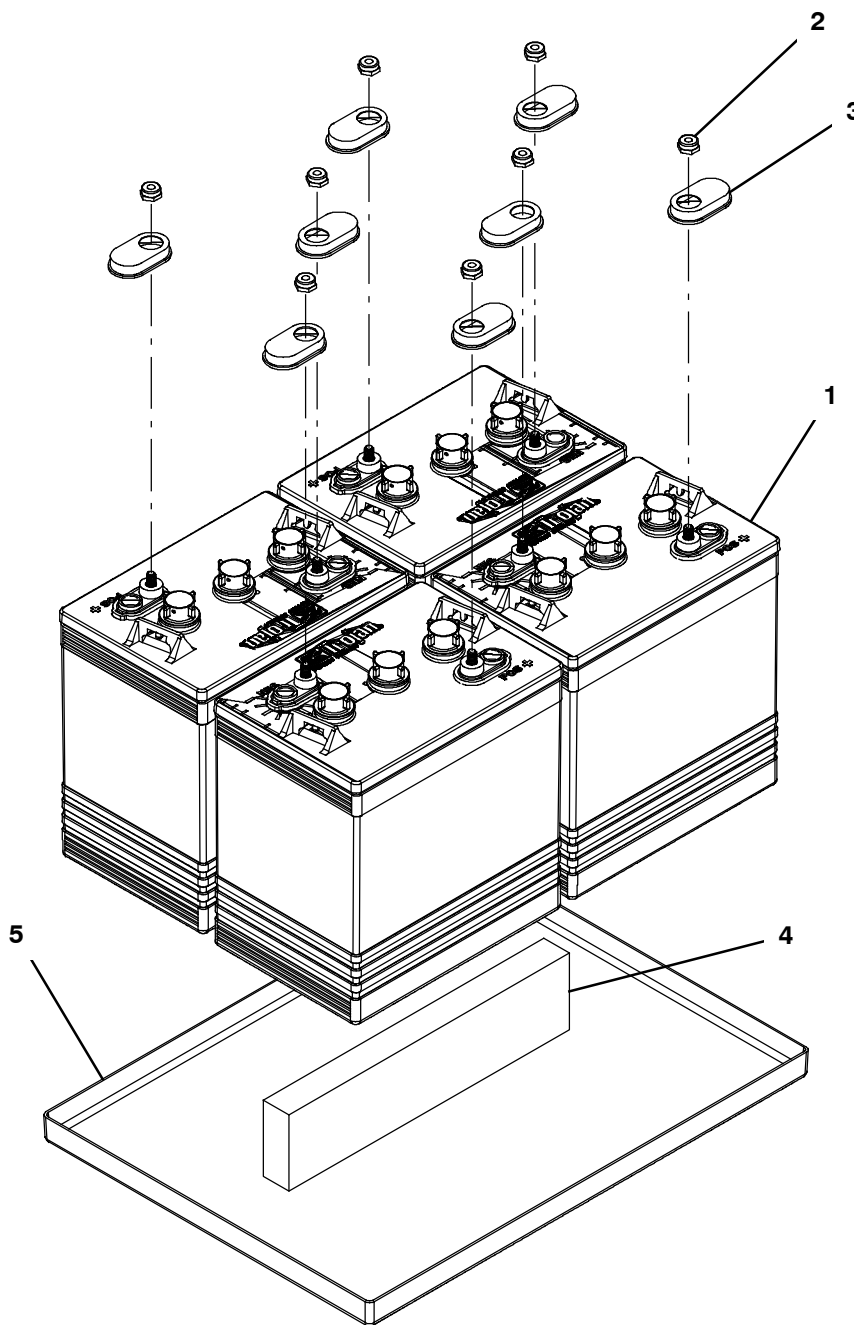
| | Ref. | Part No. | Serial Number | Description | Qty. |
|---|------|----------|-----------------------|--|------|
| ▽ | 1 | 1074042 | (30000000- 40000000) | Battery, Agm, 06vdc, 220ah (Discover) | 4 |
| ▲ | 2 | 87435 | (30000000- 40000000) | Nut, Hex, Flexlock, .31- 18 | 2 |
| | 3 | 630375 | (30000000- 40000000) | Spacer, Battery, Foam, 1.25 X 3.3 X 13.7 | 1 |
| | 4 | 1222318 | (30000000- 40000000) | Tray, Battery, Trimmed [T500, Thick] | 1 |

▽ ASSEMBLY

▲ INCLUDED IN ASSEMBLY

BATTERY GROUP, WET 260AH (AUSTRALIA)

355448



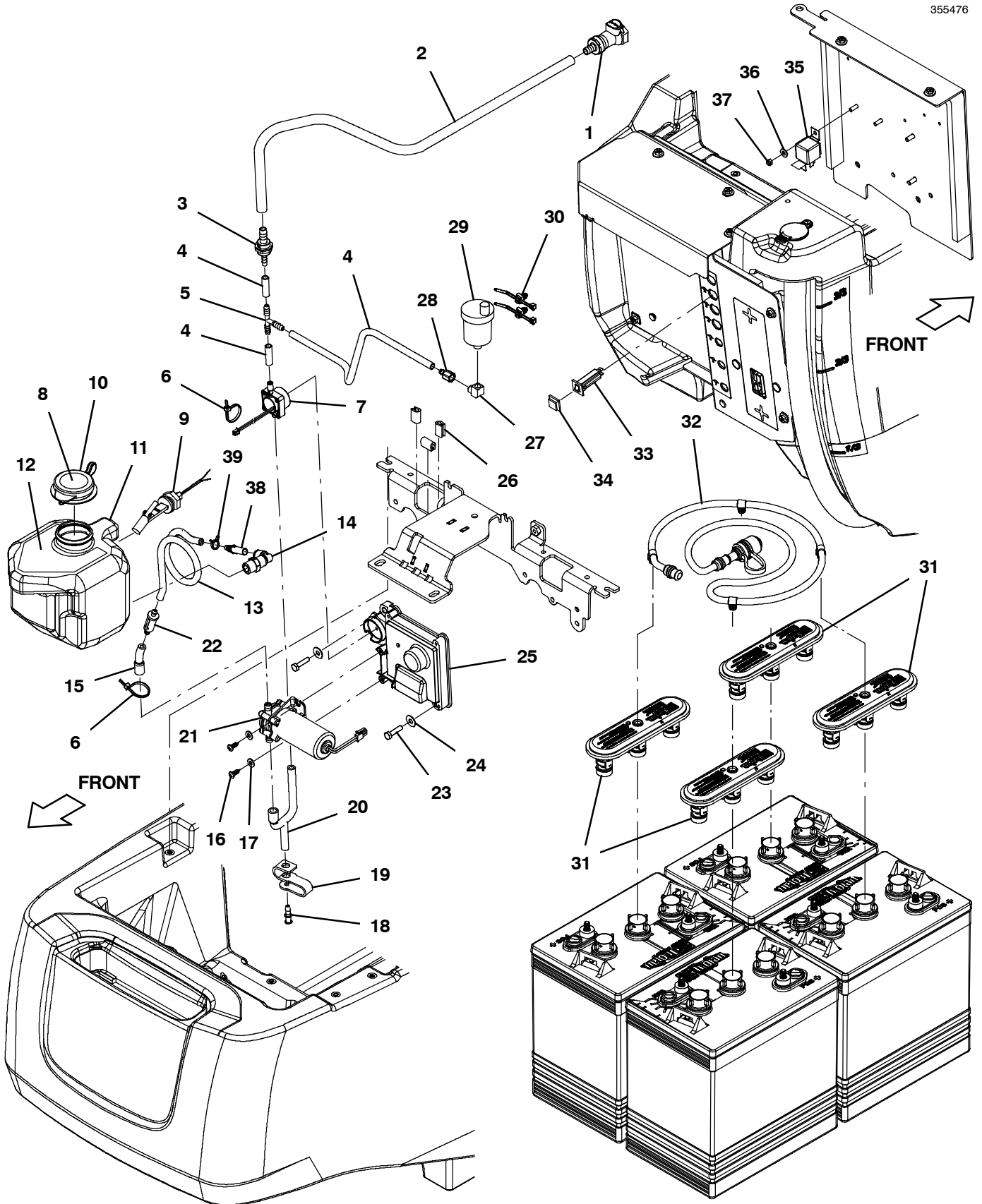
| Ref. | Part No. | Serial Number | Description | Qty. |
|------|----------|---------------|--|------|
| ▽ | 1 | 390825 | (30000000- 40000000) Battery, Wet, 06vdc 0244ah | 4 |
| ▲ | 2 | 87435 | (30000000- 40000000) Nut, Hex, Flexlock, .31- 18 | 2 |
| ▲ | 3 | 1041030 | (30000000- 40000000) Cap, Battery, Black [For 155ah] | 2 |
| | 4 | 630375 | (30000000- 40000000) Spacer, Battery, Foam, 1.25 X 3.3 X 13.7 | 1 |
| | 5 | 1222318 | (30000000- 40000000) Tray, Battery, Trimmed [T500, Thick] | 1 |

▽ ASSEMBLY

▲ INCLUDED IN ASSEMBLY

SMART-FILL™ AUTOMATIC BATTERY WATERING GROUP

355476

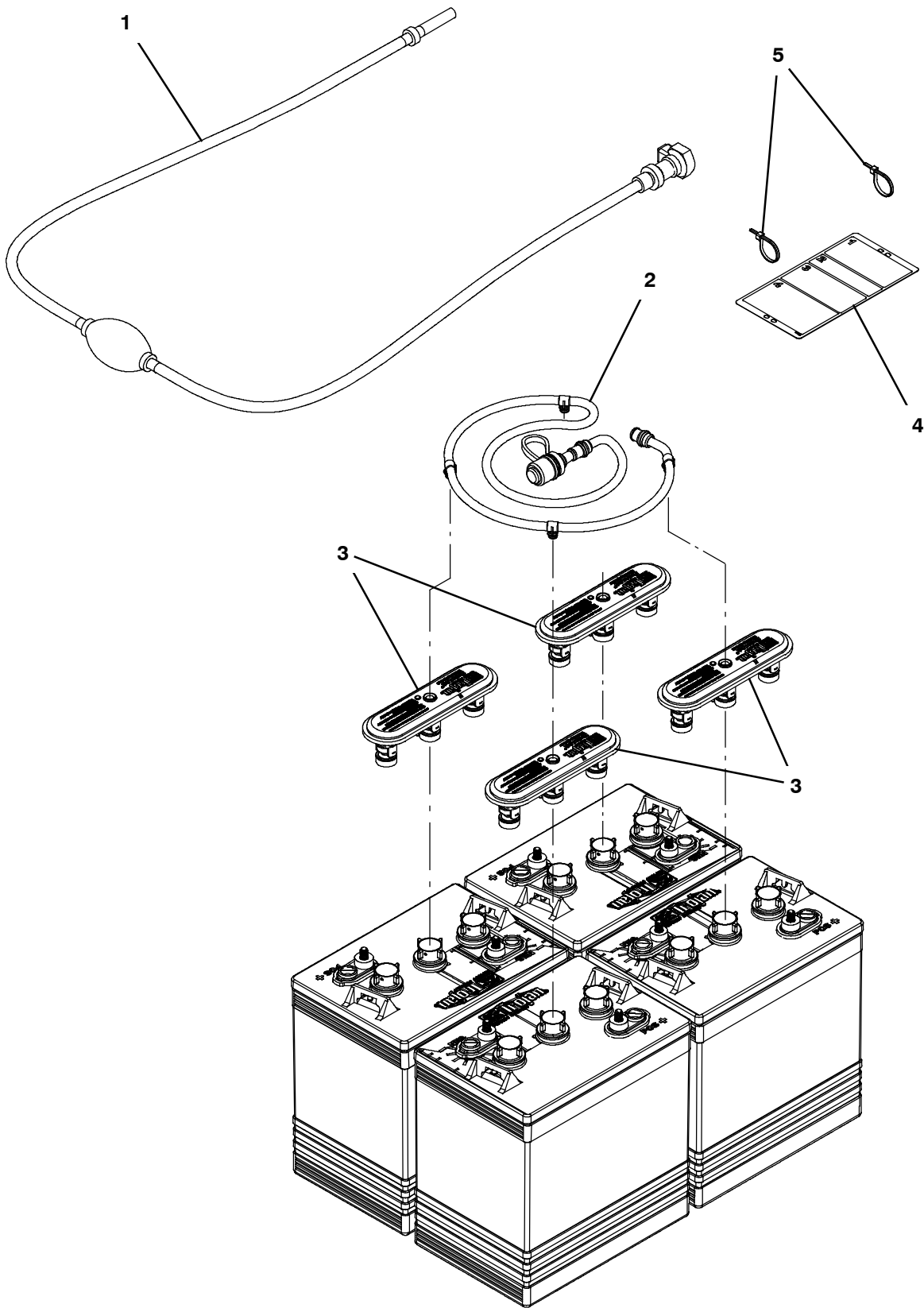


SMART-FILL™ AUTOMATIC BATTERY WATERING GROUP

| Ref. | Part No. | Serial Number | Description | Qty. |
|------|----------|---------------------|---|------|
| 1 | 1221589 | (30000000-40000000) | Fitting, Plstc, Str, Bm06, Cplg, Fem[HI] | 1 |
| 2 | 1006416 | (30000000-40000000) | Hose, Afrmkt, Pvc, Clr, 0.38id, 03ft | 1 |
| 3 | 1225185 | (30000000-40000000) | Valve, Check, 0002psi Bm04/Bm06 | 1 |
| 4 | 1006415 | (30000000-40000000) | Hose, Afrmkt, Pvc, Clr, 0.25id, 03ft | 1 |
| 5 | 150713 | (30000000-40000000) | Fitting, Plstc, Tee, Bm04/Bm04/Bm04 | 1 |
| 6 | 130773 | (30000000-40000000) | Tie, Cable, Nyl, 11.0l, .14w, 3.0 Max. D | 2 |
| 7 | 1222371 | (30000000-40000000) | Sensor, Flow, Hall Effect, 5-24vdc | 1 |
| 8 | 1224988 | (30000000-40000000) | Label, Automated Battery Watering | 1 |
| 9 | 1212430 | (30000000-40000000) | Sensor, Level, Liq, 30watt, Spst | 1 |
| 10 | 1224600 | (30000000-40000000) | Cap, Snap, 2.17d [Blue] | 1 |
| 11 | 1217453 | (30000000-40000000) | Tank [2.5 Liter] | 1 |
| 12 | 1228813 | (30000000-40000000) | Label, Warning, No Detgt | 1 |
| 13 | 1006415 | (30000000-40000000) | Hose, Afrmkt, Pvc, Clr, 0.25id, 03ft | 1 |
| 14 | 1212812 | (30000000-40000000) | Fitting, Plstc, E90, Qf06/Pm06, Swivel | 1 |
| 15 | 1224108 | (30000000-40000000) | Hose, Mold, Bm04/Bm06 | 1 |
| 16 | 1018155 | (30000000-40000000) | Screw, Pan, Phl, M5 X 0.80 X 16, Tcut, Ss | 2 |
| 17 | 01683 | (30000000-40000000) | Washer, Flat, 10, Ss | 2 |
| 18 | 1228042 | (30000000-40000000) | Fitting, Plstc, Cap, Bm03 [T500] | 1 |
| 19 | 1228043 | (30000000-40000000) | Strap, Retaining, Cap [T500] | 1 |
| 20 | 1224016 | (30000000-40000000) | Hose, Molded, Bm04/Bm06 | 1 |
| 21 | 1220042 | (30000000-40000000) | Pump, Fill, Battery | 1 |
| 22 | 1222924 | (30000000-40000000) | Filter, In-Line, Bm04/Bm04, 100mic, 2.0l | 1 |
| 23 | 1016005 | (30000000-40000000) | Screw, Hex, M6 X 1.00 X 25, NI, FI, Ss | 2 |
| 24 | 01684 | (30000000-40000000) | Washer, Flat, 0.27b 0.69d .05, Ss | 2 |
| 25 | 9018008 | (30000000-40000000) | Kit, Module, Abw, Ci (See Breakdowns) | 1 |
| 26 | 1020168 | (30000000-40000000) | Molding, Afrmkt, Trim, Pvc, .08 .11, 01ft | 1 |
| 27 | 150407 | (30000000-40000000) | Fitting, Brs, E90, Pf02/Pm02 [Street] | 1 |
| 28 | 1040254 | (30000000-40000000) | Fitting, Brs, Str, Bm04/Pf02 | 1 |
| 29 | 1017386 | (30000000-40000000) | Valve, Vent, Air, Float Type | 1 |
| 30 | 1210807 | (30000000-40000000) | Wire, Tie [W/.25" Fir Tree Clip] | 2 |
| 31 | 1204142 | (30000000-40000000) | Cap, Fill, Battery [Trojan] | 4 |
| 32 | 1229544 | (30000000-40000000) | Tube, Water, Battery, 24vdc [Trojan] | 1 |
| 33 | 1064187 | (30000000-40000000) | Circuitbreaker, 10.0a, Resetable | 1 |
| 34 | 1064191 | (30000000-40000000) | Boot, Circuitbreaker | 1 |
| 35 | 1228510 | (30000000-40000000) | Relay, 24vdc, 80a, Spst No, Plug-In | 1 |
| 36 | 01683 | (30000000-40000000) | Washer, Flat, 10, Ss | 1 |
| 37 | 09739 | (30000000-40000000) | Nut, Hex, Lock, M5 X 0.80, NI, Ss | 1 |
| 38 | 1212857 | (30000000-40000000) | Fitting, Plstc, Str, Qm06/Bm04 | 1 |
| 39 | 613735 | (30000000-40000000) | Clamp, Hose, Wir, .40 - .42, Yel | 1 |

HYDROLINK® MANUAL BATTERY WATERING KIT

355454



HYDROLINK® MANUAL BATTERY WATERING KIT

| Ref. | Part No. | Serial Number | Description | Qty. |
|------|-----------|-----------------------|--|------|
| ▽ | 9010300 | (30000000- 40000000) | Battery Fill Kit, 24v, Ci [Hydrolink] | 1 |
| ▲ | 1 1058939 | (30000000- 40000000) | Pump Kit, Fill, Hand, Battery | 1 |
| ▲ | 2 1229544 | (30000000- 40000000) | Tube, Water, Battery, 24vdc [Trojan] | 1 |
| ▲ | 3 1204142 | (30000000- 40000000) | Cap, Fill, Battery [Trojan] | 4 |
| ▲ | 4 1071084 | (30000000- 40000000) | Label, Tag, Battery [Hydrolink Watering] | 1 |
| ▲ | 5 130773 | (30000000- 40000000) | Tie, Cable, Nyl, 11.0l, .14w, 3.0 Max. D | 2 |

▽ ASSEMBLY

▲ INCLUDED IN ASSEMBLY

HYDROLINK® IS A REGISTERED TRADEMARK OF TROJAN BATTERY COMPANY.

OPTIONS

DOCUMENTATION GROUP

| Ref. | Part No. | Serial Number | Description | Qty. |
|------|----------|-----------------------|------------------------------------|------|
| | 9015525 | (30000000- 40000000) | Manual, Parts [T500e, Cn Plnt] | 1 |
| | 9015506 | (30000000- 40000000) | Manual, Oprtr [T500e, En, Na/Intl] | 1 |
| | 9015526 | (30000000- 40000000) | Manual, Oprtr [T500e, Cn] | 1 |
| | 9015527 | (30000000- 40000000) | Manual, Oprtr [T500e, Kr] | 1 |
| | 9015528 | (30000000- 40000000) | Manual, Oprtr [T500e, Jp] | 1 |
| | 9015510 | (30000000- 40000000) | Instr, Wall Chart [T500e, Na] | 1 |
| | 9015511 | (30000000- 40000000) | Manual, Service [T500e, En] | 1 |

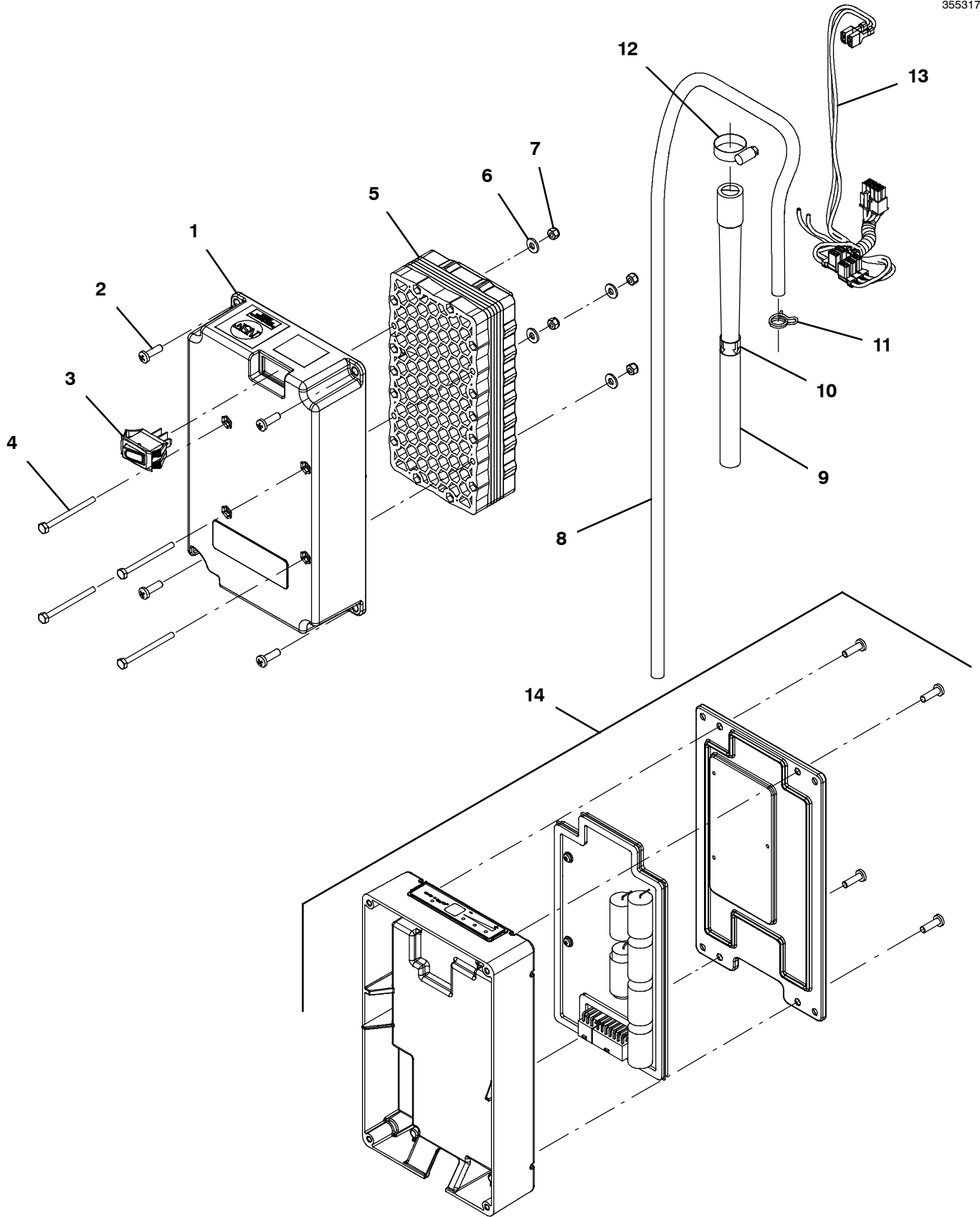


To view, print, order, download the latest Parts manual, other language Operator manuals, and Use and Care Guides (wall charts), visit:

www.tennantco.com/manual

ec- H2O NANOCLEAN MODULE BREAKDOWN

355317



ec- H2O NANOCLEAN MODULE BREAKDOWN

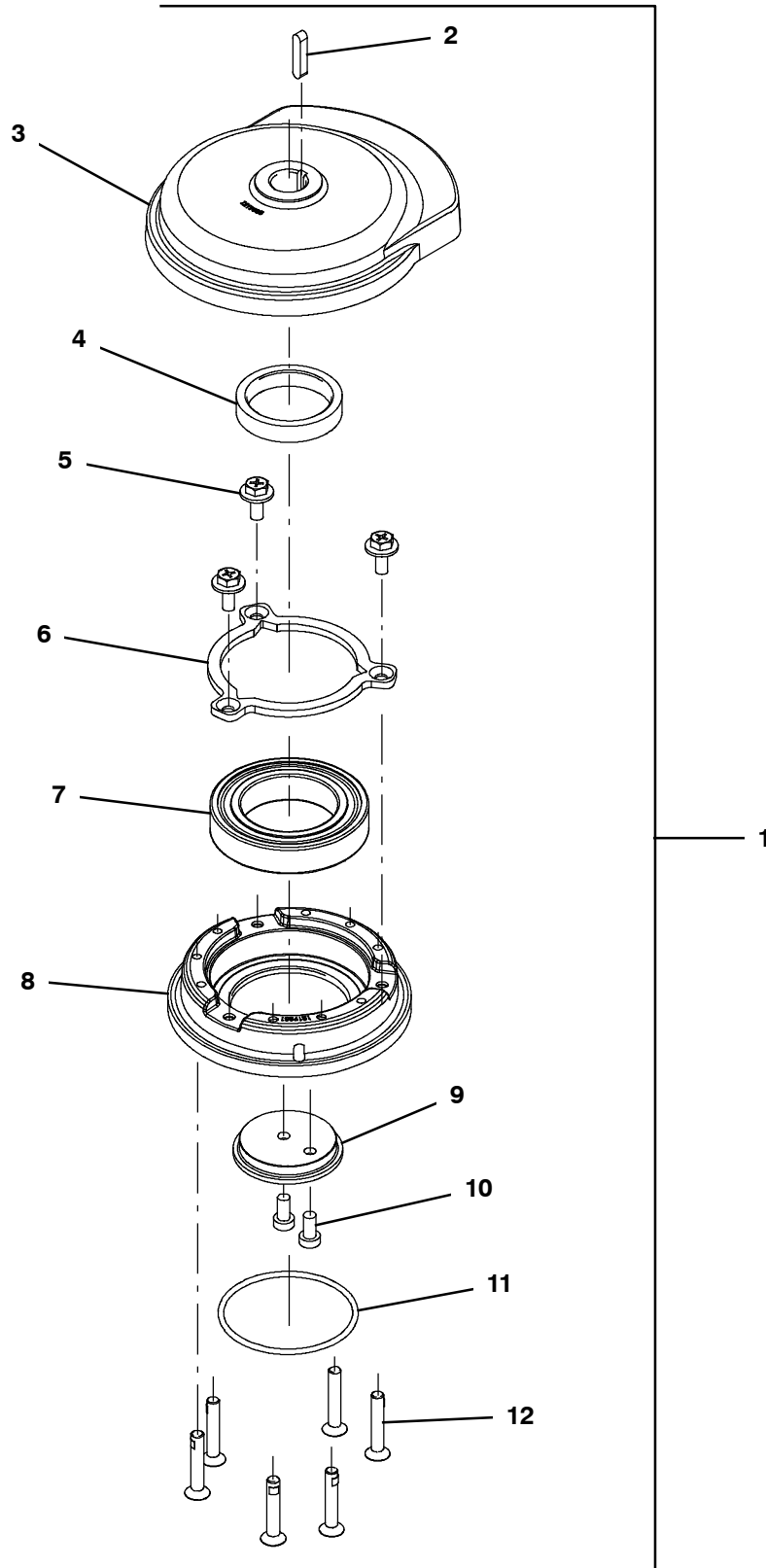
| Ref. | Part No. | Serial Number | Description | Qty. |
|------|------------|-----------------------|---|------|
| ▽ | 9011810 | (30000000- 40000000) | Module Kit, Replmt [Ec- H2o, B 02] (Includes ec- H2O NanoClean Cartridge) | 1 |
| ▲▽ | 9014126 | (30000000- 40000000) | Ec- H2o Nc Kit [Module B, Plumbing] | 1 |
| ▲▲ | 1 1208823 | (30000000- 40000000) | Housing, Module, Upper, Ec- H2o | 1 |
| ▲▲ | 2 1015506 | (30000000- 40000000) | Screw, Pan, Phl, M5 X 16, Tcut [Plastic] | 4 |
| ▲▲ | 3 1044393 | (30000000- 40000000) | Switch, Rocker, Spst, Mom | 1 |
| ▲▲ | 4 32509 | (30000000- 40000000) | Screw, Hex, M4 X 0.70 X 50, Ss | 4 |
| ▲▲ | 5 1208164 | (30000000- 40000000) | Electrode, 5 Plate, High Flow | 1 |
| ▲▲ | 6 41579 | (30000000- 40000000) | Washer, Flat, 08, Ss | 4 |
| ▲▲ | 7 33932 | (30000000- 40000000) | Nut, Hex, Lock, M4 X 0.70, NI, Ss | 4 |
| ▲▲ | 8 1006415 | (30000000- 40000000) | Hose, Afmkt, Pvc, Clr, 0.25id, 03ft | 1 |
| ▲▲ | 9 1208526 | (30000000- 40000000) | Hose, Molded, Bm08/Bm06 | 1 |
| ▲▲ | 10 1049637 | (30000000- 40000000) | Label, Direction [Ec- H2o] | 1 |
| ▲▲ | 11 613735 | (30000000- 40000000) | Clamp, Hose, Wir, .40 - .42, Yel | 1 |
| ▲▲ | 12 54333 | (30000000- 40000000) | Clamp, Hose, Wormdrive, 0.31- 0.88d, .31w | 1 |
| ▲▲ | 13 1073286 | (30000000- 40000000) | Harness, Ele, Module B2 [Ec- H2o] | 1 |
| ▲ | 14 9014127 | (30000000- 40000000) | Controller Kit, Replmt [Ec- H2o Nc] (Includes ec- H2O NanoClean Cartridge) | 1 |

▽ ASSEMBLY

▲ INCLUDED IN ASSEMBLY

ORBITAL HEAD ECCENTRIC DRIVE BREAKDOWN

355477



ORBITAL HEAD ECCENTRIC DRIVE BREAKDOWN

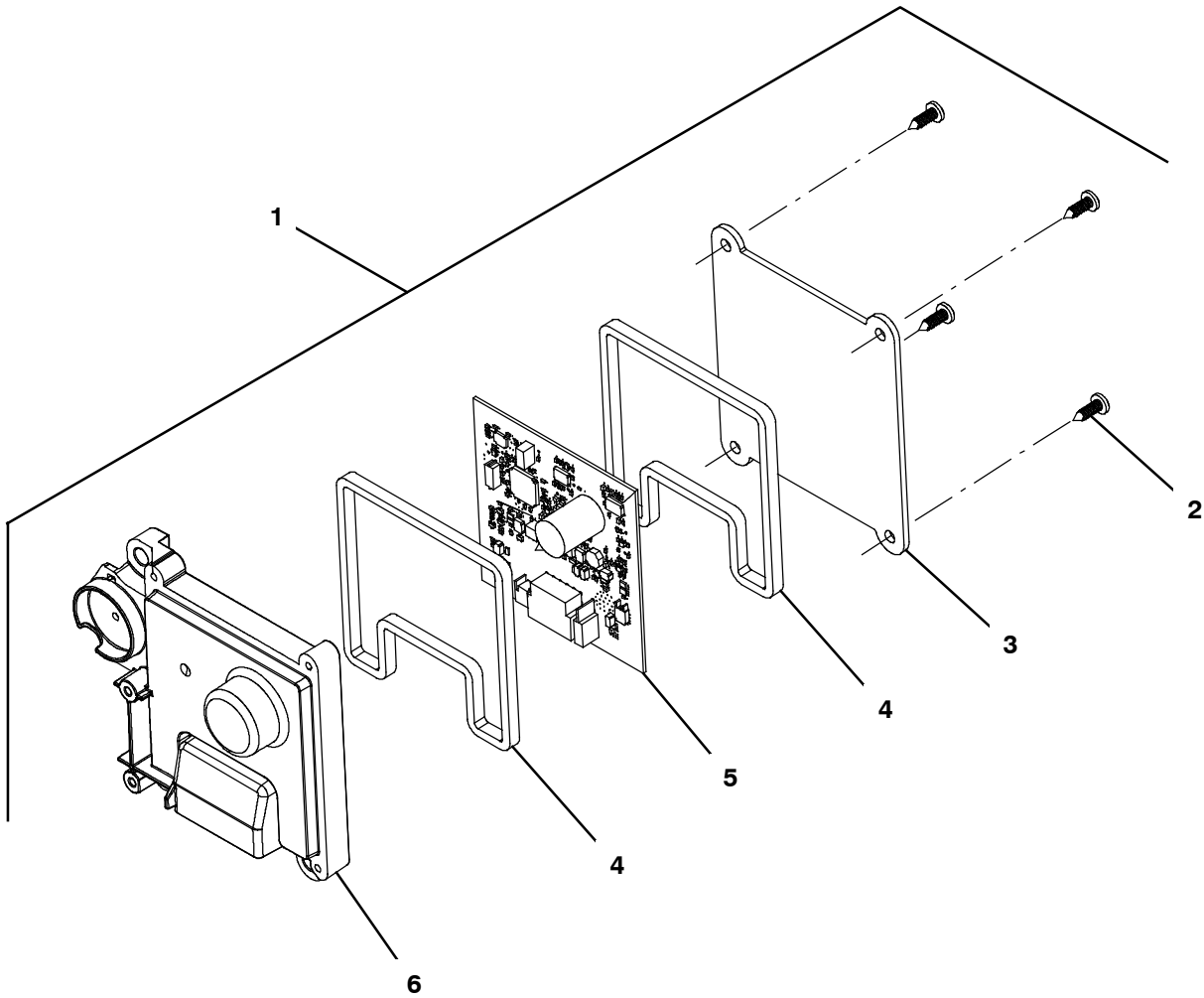
| Ref. | Part No. | Serial Number | Description | Qty. |
|------|----------|---------------|--|------|
| ▽ | 1 | 9015774 | (30000000- 40000000) Eccentric Drive Kit, Orbital | 1 |
| ▲ | 2 | 1231238 | (30000000- 40000000) Key, Sq, 5mm X 5mm X 22mm | 1 |
| ▲ | 3 | N/A | (30000000- 40000000) Balance, Eccentric, Step [Machined] | 1 |
| ▲ | 4 | N/A | (30000000- 40000000) Spacer, Eccentric | 1 |
| ▲ | 5 | N/A | (30000000- 40000000) Screw, Hex, M6 X 1.00 X 16, Sems | 3 |
| ▲ | 6 | N/A | (30000000- 40000000) Plate, Retainer, Brg, Outer | 1 |
| ▲ | 7 | 1220452 | (30000000- 40000000) Bearing, Ball, 2.17b 3.54d .71w | 1 |
| ▲ | 8 | N/A | (30000000- 40000000) Housing, Bearing, Outer [Machined] | 1 |
| ▲ | 9 | N/A | (30000000- 40000000) Retainer, Bearing, Inner [Qpq] | 1 |
| ▲ | 10 | N/A | (30000000- 40000000) Screw, Soc, M6 X 1.00 X 12, 8.8, Low | 2 |
| ▲ | 11 | 1221394 | (30000000- 40000000) Seal, Org, .125 X 02.63id | 1 |
| ▲ | 12 | 1212710 | (30000000- 40000000) Screw, Flt, Soc, M6 X 1.00 X 35, 10.9,NI | 6 |

▽ ASSEMBLY

▲ INCLUDED IN ASSEMBLY

AUTOMATIC BATTERY WATERING MODULE BREAKDOWN

355564



| Ref. | Part No. | Serial Number | Description | Qty. |
|------|----------|---------------|--|------|
| ▽ | 1 | 9018008 | (30000000- 40000000) Kit, Module, Abw, Ci | 1 |
| ▲ | 2 | 1018155 | (30000000- 40000000) Screw, Pan, Phl, M5 X 0.80 X 16, Tcut,Ss | 4 |
| ▲ | 3 | 1223055 | (30000000- 40000000) Panel, Mtg, Fill, Auto, Battery | 1 |
| ▲ | 4 | 1223286 | (30000000- 40000000) Seal, Cover, Board, Battery Watering | 2 |
| ▲ | 5 | 1220931 | (30000000- 40000000) Circuitboard Assy [Abw Module] | 1 |
| ▲ | 6 | 1223261 | (30000000- 40000000) Cover, Circuitboard, Battery Watering | 1 |

▽ ASSEMBLY

▲ INCLUDED IN ASSEMBLY

